



US00D765833S

(12) **United States Design Patent** (10) **Patent No.:** **US D765,833 S**  
**Geert-Jensen et al.** (45) **Date of Patent:** **\*\* Sep. 6, 2016**

(54) **INJECTION DEVICE**  
(71) Applicant: **Novo Nordisk A/S**, Bagsvaerd (DK)  
(72) Inventors: **Anders Geert-Jensen**, Aarhus C (DK);  
**Emil Wegger Jensen**, Aarhus C (DK)

6,899,699 B2 5/2005 Enggaard  
D551,341 S 9/2007 Galbraith  
D555,609 S 11/2007 Galbraith  
D610,677 S 2/2010 Tyce  
D612,486 S 3/2010 Van de stappen  
7,686,786 B2 3/2010 Moller et al.  
D619,702 S 7/2010 Galbraith

(Continued)

(73) Assignee: **Novo Nordisk A/S** (DK)

(\*\*) Term: **14 Years**

(21) Appl. No.: **29/485,489**

(22) Filed: **Mar. 19, 2014**

**Related U.S. Application Data**

(62) Division of application No. 29/401,214, filed on Sep. 8, 2011, now Pat. No. Des. 729,930.

**Foreign Application Priority Data**

Mar. 8, 2011 (EM) ..... 001831975-0001

(51) **LOC (10) Cl.** ..... **24-02**

(52) **U.S. Cl.**  
USPC ..... **D24/112**

(58) **Field of Classification Search**  
USPC ..... D24/112-114, 108, 133, 130, 127, 186;  
606/181, 185; 604/264, 272, 187, 181,  
604/184, 227  
CPC ..... A61M 5/178; A61M 3/00; A61M 5/20;  
A61M 5/31; A61M 5/3146; A61M 5/3129;  
A61M 5/3148; A61M 5/315  
See application file for complete search history.

**References Cited**

**U.S. PATENT DOCUMENTS**

5,709,662 A 1/1998 Olive et al.  
6,004,297 A 12/1999 Steinfeldt-Jensen et al.  
D479,599 S 9/2003 Bainton  
D479,603 S 9/2003 Tyce  
D479,747 S 9/2003 Bainton

**OTHER PUBLICATIONS**

U.S. Appl. No. 29/419,158 of Anders Geert-Jensen titled "Injection Device" filed Apr. 25, 2012, amended Jan. 13, 2014.

(Continued)

*Primary Examiner* — David Muller

(74) *Attorney, Agent, or Firm* — Saidman DesignLaw Group, LLC

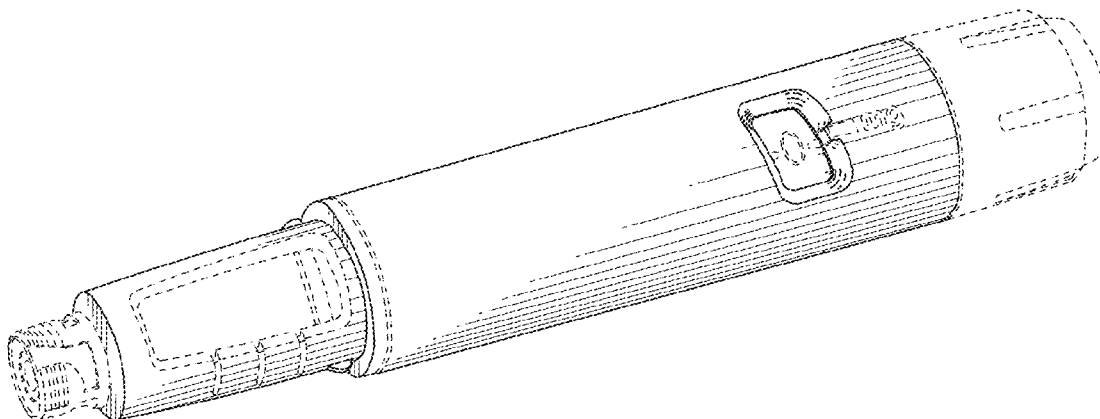
(57) **CLAIM**

The ornamental design of an injection device, as shown and described.

**DESCRIPTION**

FIG. 1 is a side view of the injection device showing our design;  
FIG. 2 is a side view thereof rotated axially 90 degrees from FIG. 1;  
FIG. 3 is a side view thereof rotated axially 180 degrees from FIG. 2;  
FIG. 4 is a side view thereof rotated axially 180 degrees from FIG. 1;  
FIG. 5 is a plan view of the distal end thereof;  
FIG. 6 is a plan view proximal end thereof; and,  
FIG. 7 is a perspective view of the proximal end and side thereof.  
The broken lines illustrate structure or features which form no part of the claimed design.  
The drawings include surface shading which represents contour and not surface ornamentation.

**1 Claim, 3 Drawing Sheets**



(56)

References Cited

U.S. PATENT DOCUMENTS

D623,732 S 9/2010 Brady et al.  
D626,216 S 10/2010 Tyce  
RE41,956 E 11/2010 Klitgaard et al.  
D641,077 S 7/2011 Sanders et al.  
D652,136 S 1/2012 Hawley et al.  
D703,809 S \* 4/2014 Sanders ..... D24/113  
D708,317 S \* 7/2014 Schneider ..... D24/113  
D716,442 S \* 10/2014 Magome ..... D24/113  
D717,428 S \* 11/2014 Sendatzki ..... D24/113  
D719,257 S \* 12/2014 Magome ..... D24/113  
D722,158 S \* 2/2015 Magome ..... D24/113  
D724,721 S \* 3/2015 Geert-Jensen ..... D24/113

D729,930 S \* 5/2015 Geert-Jensen ..... D24/112  
D734,450 S \* 7/2015 Geert-Jensen ..... D24/113  
D740,937 S \* 10/2015 Schneider ..... D24/113  
D743,538 S \* 11/2015 Sanders ..... D24/113  
D746,444 S \* 12/2015 Jones ..... D24/113  
9,242,053 B2 \* 1/2016 Wozencroft ..... A61M 5/2033

OTHER PUBLICATIONS

U.S. Appl. No. 29/419,159 of Anders Geert-Jensen titled "Injection Device" filed Apr. 25, 2012, amended Jan. 10, 2014.  
Designit Flexpro Design Literature, <http://designit.com/cases/pushing-our-design-into-new-territories>, downloaded from the Internet Sep. 8, 2011.

\* cited by examiner

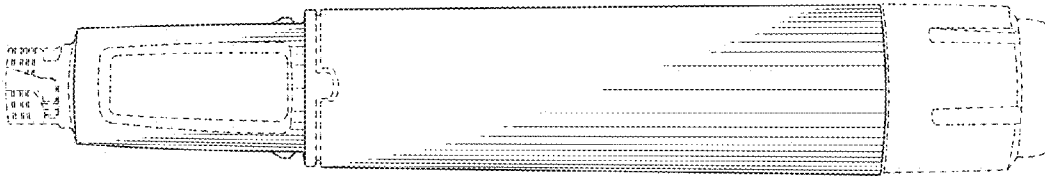


FIG. 1

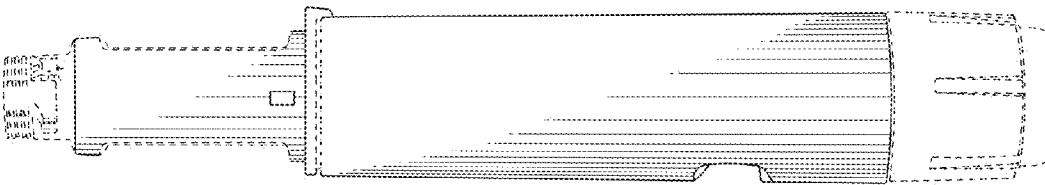


FIG. 2

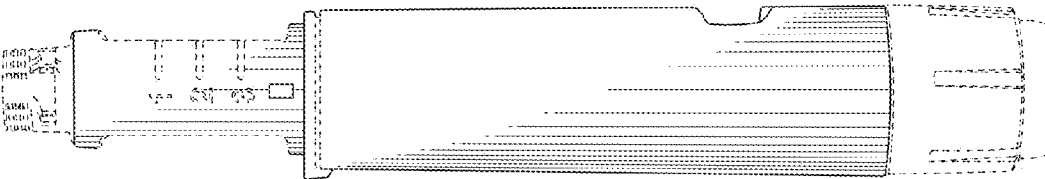


FIG. 3

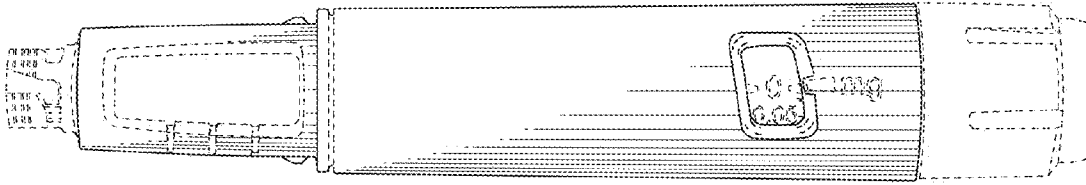


FIG. 4

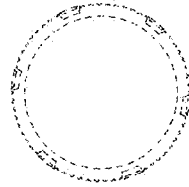


FIG. 5

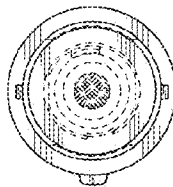


FIG. 6

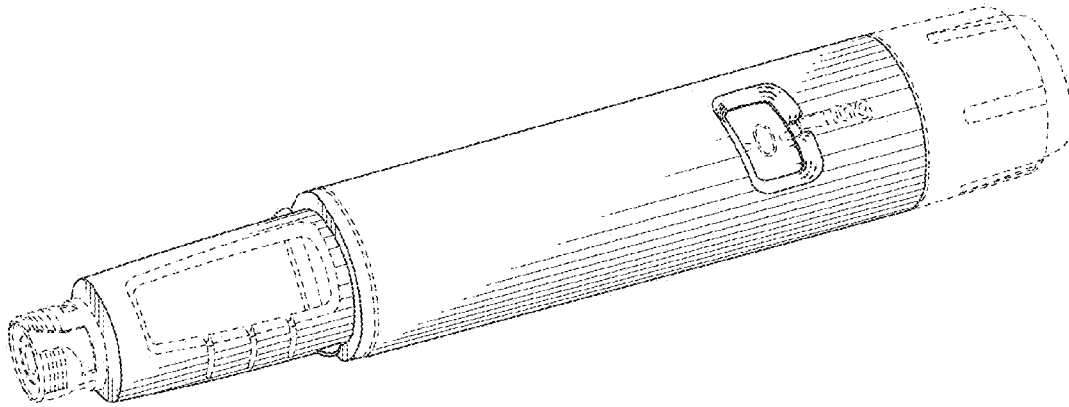


FIG. 7