



US00D758544S

(12) **United States Design Patent**
Greenwood

(10) **Patent No.:** **US D758,544 S**

(45) **Date of Patent:** **** Jun. 7, 2016**

(54) **PRESSURE REGULATOR**

OTHER PUBLICATIONS

(71) Applicant: **Nelson Irrigation Corporation**, Walla Walla, WA (US)

Jain Irrigation Inc., Pressure Regulators brochure, Rev. Mar. 2010, www.jainusa.com, Part # 91500124 (2010), eight pages.

(72) Inventor: **Riley D. Greenwood**, Walla Walla, WA (US)

Rain Bird Corp., Pressure Regulators for Agriculture Irrigation Systems, PSI-M Series Pressure Regulators product information, retrieved May 5, 2015 from http://www.rainbird.com/ag/products/PressureRegulators/index.htm, one page.

(73) Assignee: **Nelson Irrigation Corporation**, Walla Walla, WA (US)

Nelson Irrigation Corp., Pressure Regulators product information, retrieved May 5, 2015 from http://www.nelsonirrigation.com/products/family/pressure-regulators, five pages.

(**) Term: **14 Years**

Senninger Irrigation Inc., Black & White™ Pressure Regulators brochure, MS-1150, pre-2014, two pages.

(21) Appl. No.: **29/525,839**

* cited by examiner

(22) Filed: **May 4, 2015**

Primary Examiner — Cynthia Ramirez

(51) **LOC (10) Cl.** **23-01**

Assistant Examiner — Gino Colan

(52) **U.S. Cl.**

(74) *Attorney, Agent, or Firm* — Nixon & Vanderhye P.C.

USPC **D23/235**

(58) **Field of Classification Search**

USPC D23/233–250, 213, 214; 137/624.18,
137/116.3, 119.03, 505.27, 508, 498,
137/505.29, 505.39, 874, 886; 239/264,
239/113, 74, 395, 242, 222.17, 381, 498,
239/505; 251/251

CPC B05B 1/3006; B05B 1/265; B05B 12/087;
B05B 1/30; B05B 1/323; F16K 11/0716;
F16K 1/126

See application file for complete search history.

(57) **CLAIM**

The ornamental design for a pressure regulator, as shown and described.

DESCRIPTION

FIG. 1 is a perspective view of the front, right side and top of a pressure regulator showing an embodiment according to the new ornamental design;

FIG. 2 is a top view thereof;

FIG. 3 is a bottom view thereof;

FIG. 4 is a front view thereof;

FIG. 5 is a rear view thereof;

FIG. 6 is a right side view thereof;

FIG. 7 is a left side view thereof; and,

FIG. 8 is a perspective view of the front, right side and bottom thereof.

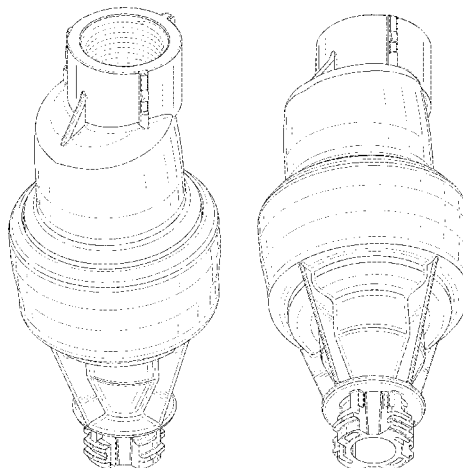
The broken lines within the Figures show portions of the pressure regulator which form no part of the claimed design.

1 Claim, 7 Drawing Sheets

(56) **References Cited**

U.S. PATENT DOCUMENTS

D398,955 S *	9/1998	Shimizu	D23/235
6,341,733 B1 *	1/2002	Sweet	B05B 3/0486 239/222.17
D603,018 S *	10/2009	Stein	D23/235
8,746,592 B2 *	6/2014	Lo	B05B 1/3026 239/113
D728,070 S *	4/2015	Schurle	D23/213
D745,114 S *	12/2015	Alexander	D23/235
2011/0031332 A1 *	2/2011	Sesser	B05B 3/003 239/222.17
2012/0138832 A1 *	6/2012	Townsend	F16K 7/065 251/251



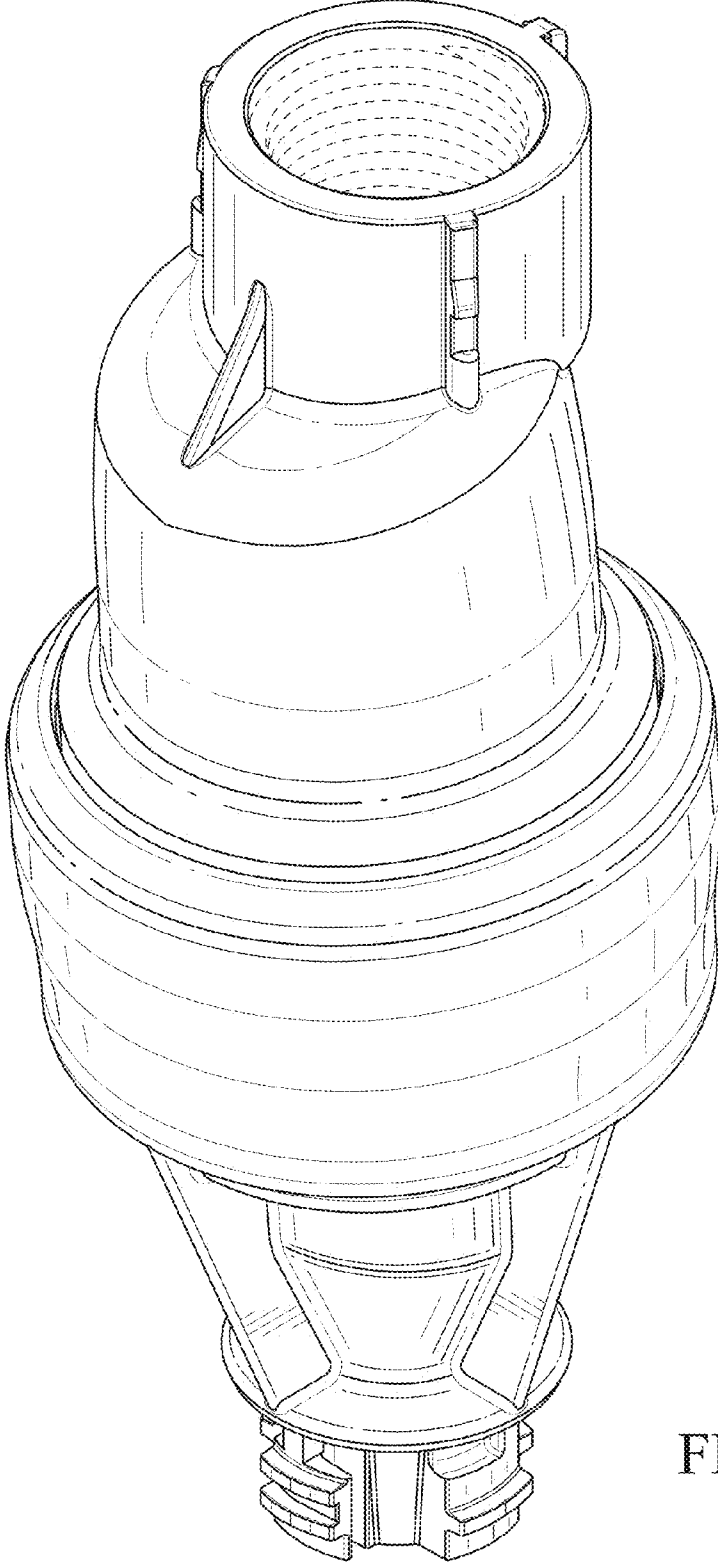


FIG. 1

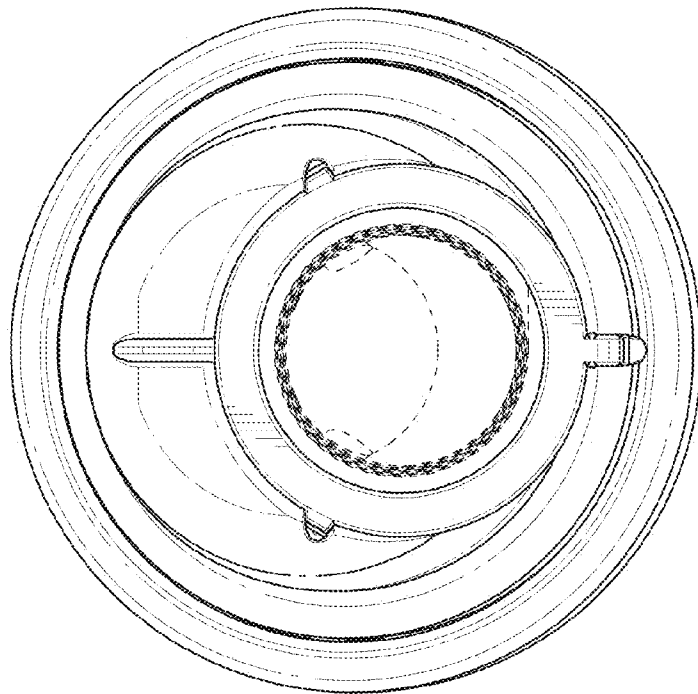


FIG. 2

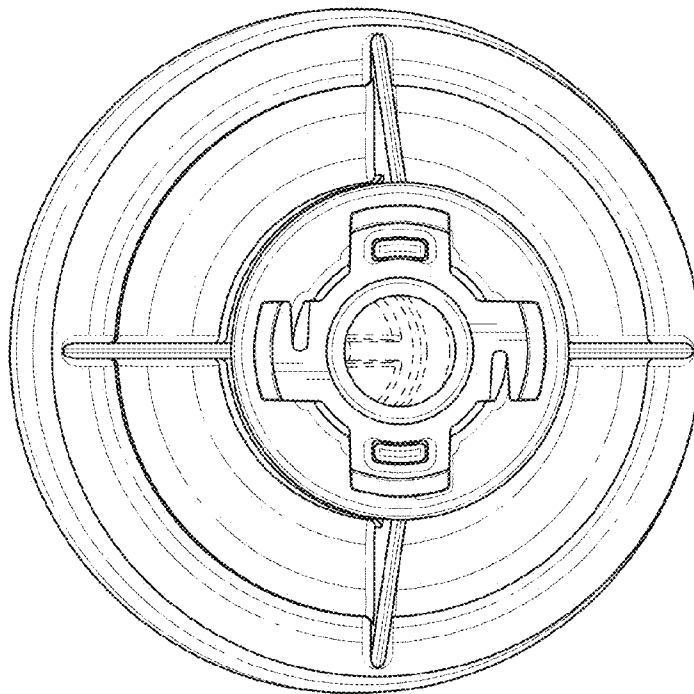


FIG. 3

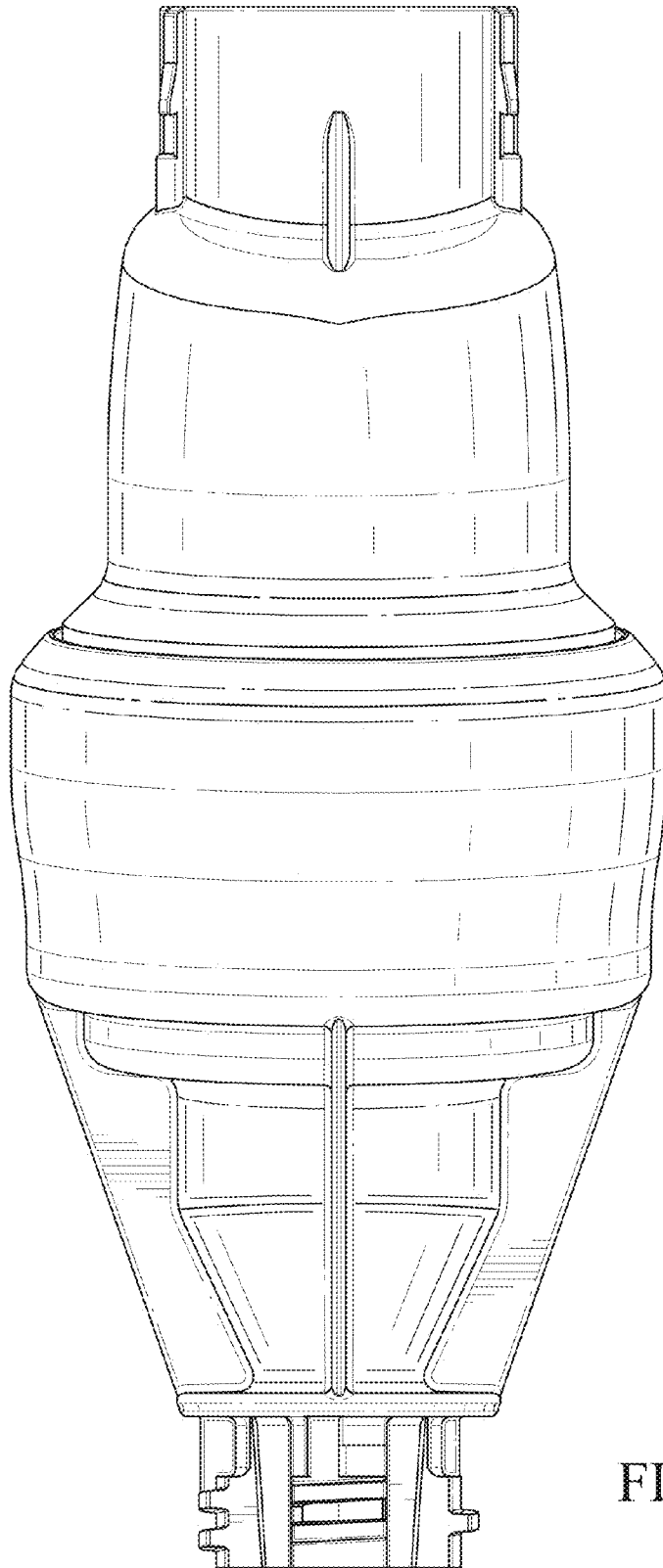


FIG. 4

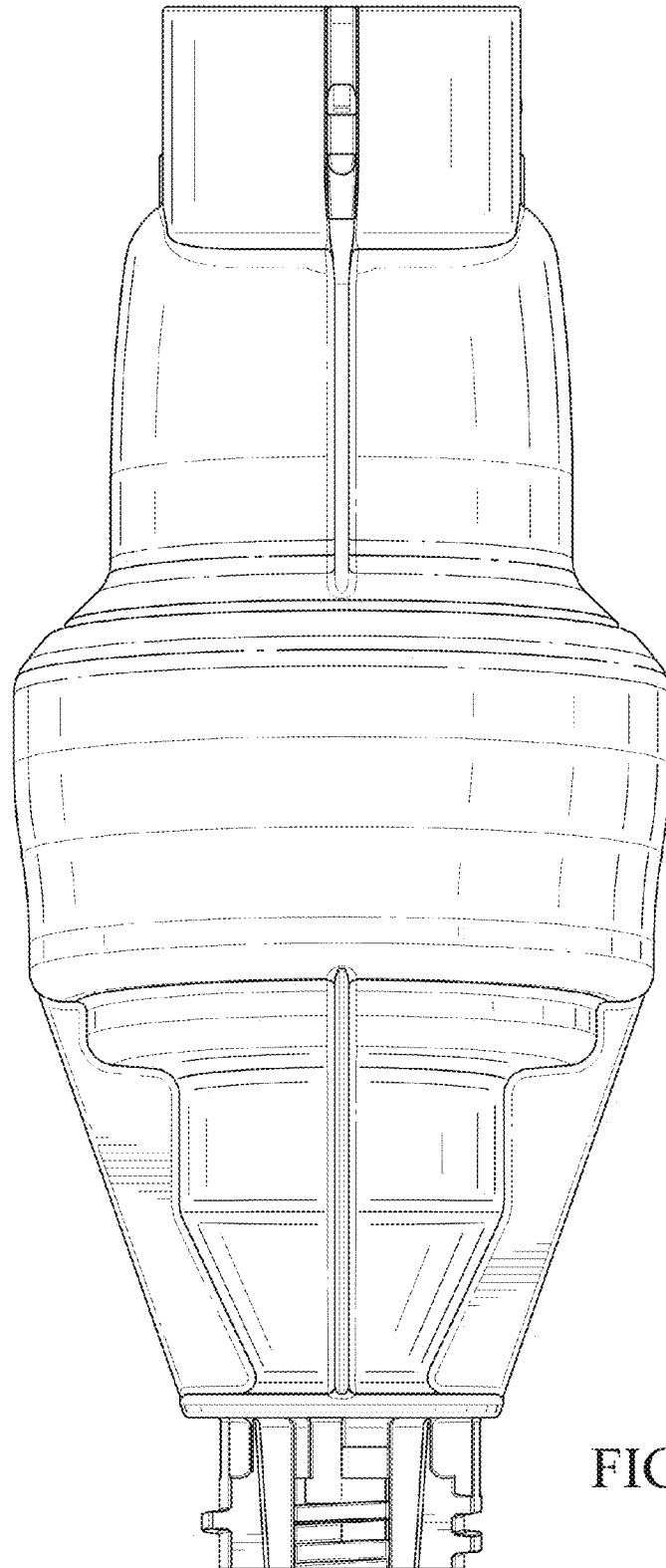


FIG. 5

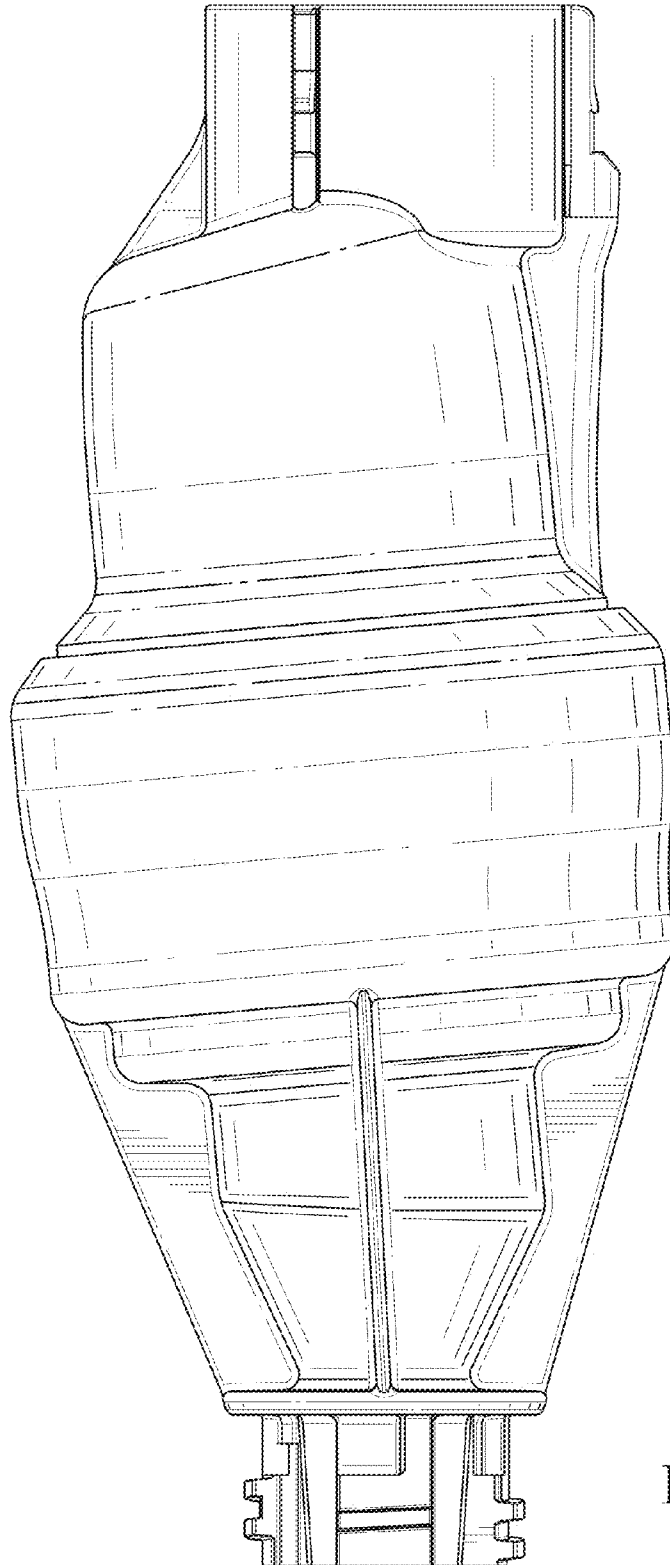


FIG. 6

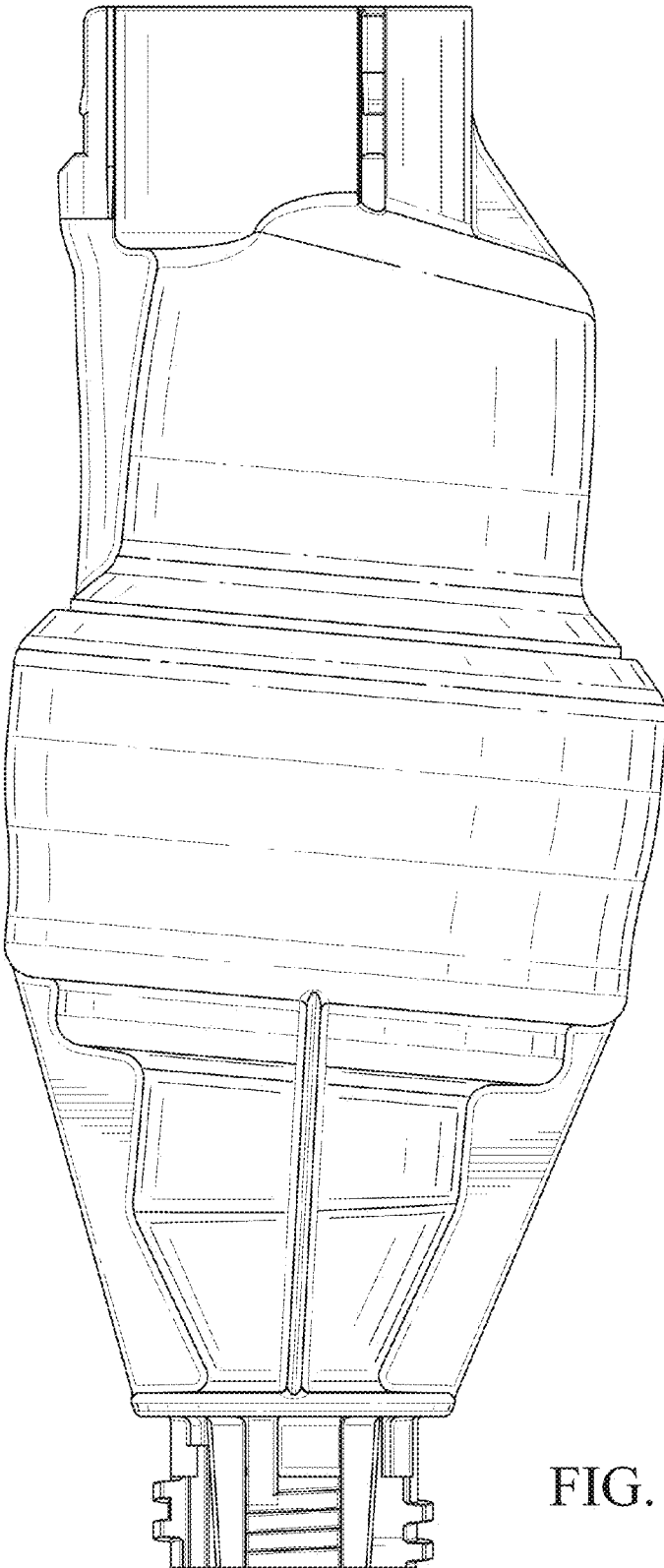


FIG. 7

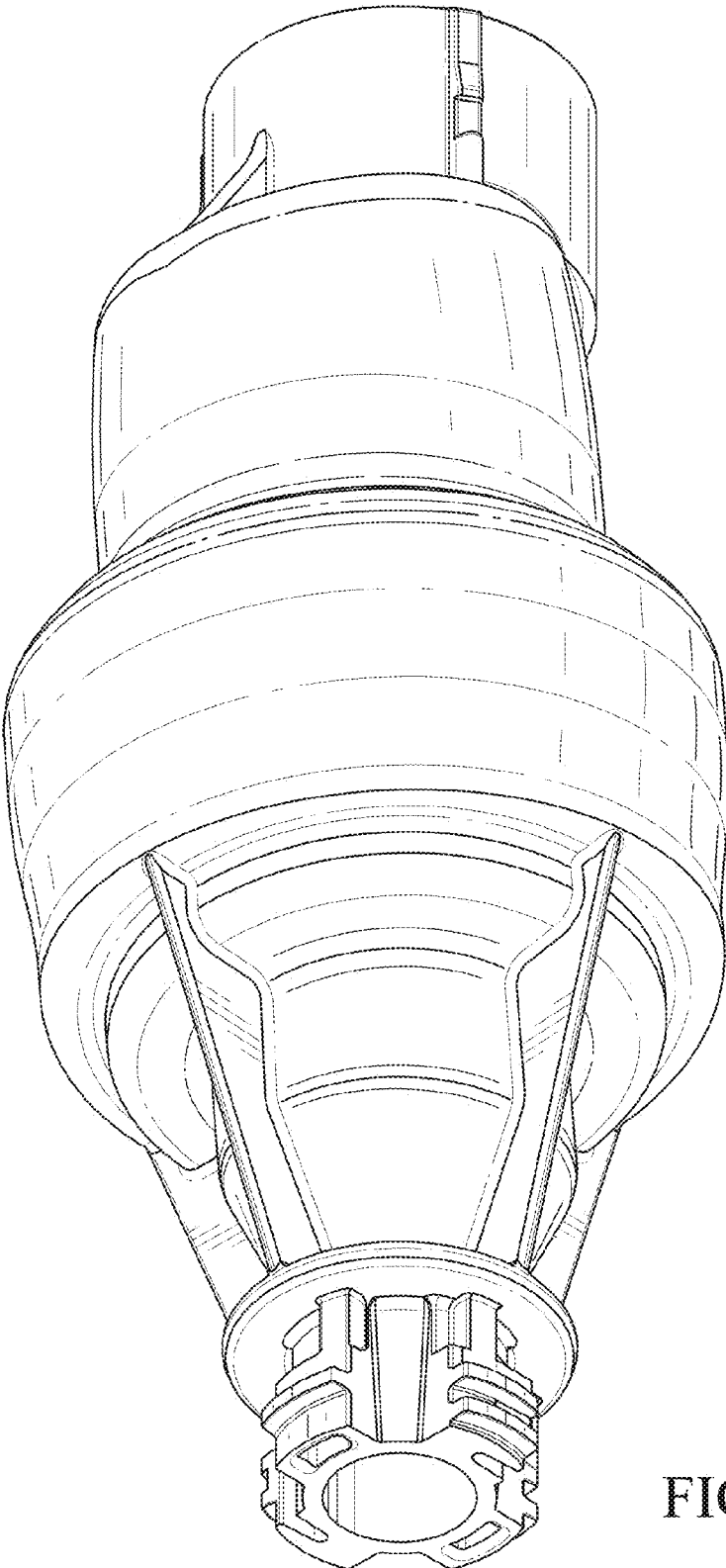


FIG. 8