

(19) World Intellectual Property Organization  
International Bureau



(43) International Publication Date  
31 May 2001 (31.05.2001)

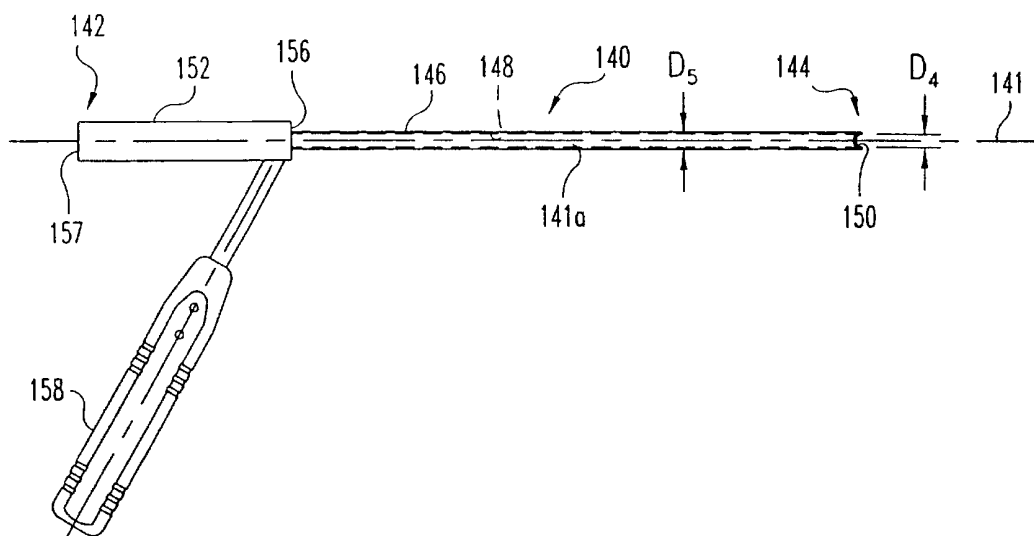
PCT

(10) International Publication Number  
**WO 01/37744 A3**

- (51) International Patent Classification<sup>7</sup>: **A61B 17/16**, 17/17, 17/58, 17/88
- (74) Agent: **LOWES, J., Andrew**; Woodard, Emhardt, Naughton, Moriarty & McNett, Bank One Center/Tower, Suite 3700, 111 Monument Circle, Indianapolis, IN 46204 (US).
- (21) International Application Number: PCT/US00/42268
- (22) International Filing Date:  
22 November 2000 (22.11.2000)
- (25) Filing Language: English
- (26) Publication Language: English
- (30) Priority Data:  
09/448,361 23 November 1999 (23.11.1999) US
- (81) Designated States (*national*): AE, AG, AL, AM, AT, AU, AZ, BA, BB, BG, BR, BY, BZ, CA, CH, CN, CR, CU, CZ, DE, DK, DM, DZ, EE, ES, FI, GB, GD, GE, GH, GM, HR, HU, ID, IL, IN, IS, JP, KE, KG, KP, KR, KZ, LC, LK, LR, LS, LT, LU, LV, MA, MD, MG, MK, MN, MW, MX, MZ, NO, NZ, PL, PT, RO, RU, SD, SE, SG, SI, SK, SL, TJ, TM, TR, TT, TZ, UA, UG, US, UZ, VN, YU, ZA, ZW.
- (84) Designated States (*regional*): ARIPO patent (GH, GM, KE, LS, MW, MZ, SD, SL, SZ, TZ, UG, ZW), Eurasian patent (AM, AZ, BY, KG, KZ, MD, RU, TJ, TM), European patent (AT, BE, CH, CY, DE, DK, ES, FI, FR, GB, GR, IE, IT, LU, MC, NL, PT, SE, TR), OAPI patent (BF, BJ, CF, CG, CI, CM, GA, GN, GW, ML, MR, NE, SN, TD, TG).
- (71) Applicant (*for all designated States except US*): **SDGI HOLDINGS, INC.** [US/US]; 300 Delaware Avenue, Suite 508, Wilmington, DE 19801 (US).
- (72) Inventor; and
- (75) Inventor/Applicant (*for US only*): **SASSO, Rick** [US/US]; 9436 Spring Mill Road, Indianapolis, IN 46260 (US).
- Published:  
— with international search report
- (88) Date of publication of the international search report:  
6 June 2002

[Continued on next page]

(54) Title: SURGICAL SCREW DELIVERY SYSTEM AND METHOD



(57) Abstract: A screw delivery system and method are disclosed for use in a variety of surgical indications. The screw delivery system generally comprises an outer cannula (100), a guide (140), and various interventional devices such as bone drill bits (160) and taps (200) as well as an implant driver (260) for inserting a screw. The method disclosed varies by indication, but is ordinarily intended for use as a minimally invasive procedure which is a combination of percutaneous and open techniques wherein a small midline incision is made over a surgical site and the screw delivery system provides a percutaneous portal through an incision distant from the small midline incision over the surgical site.



WO 01/37744 A3



---

*For two-letter codes and other abbreviations, refer to the "Guidance Notes on Codes and Abbreviations" appearing at the beginning of each regular issue of the PCT Gazette.*

## INTERNATIONAL SEARCH REPORT

International Application No  
PCT/US 00/42268

A. CLASSIFICATION OF SUBJECT MATTER  
IPC 7 A61B17/16 A61B17/17 A61B17/58 A61B17/88

According to International Patent Classification (IPC) or to both national classification and IPC

## B. FIELDS SEARCHED

Minimum documentation searched (classification system followed by classification symbols)  
IPC 7 A61B

Documentation searched other than minimum documentation to the extent that such documents are included in the fields searched

Electronic data base consulted during the international search (name of data base and, where practical, search terms used)

EPO-Internal

## C. DOCUMENTS CONSIDERED TO BE RELEVANT

| Category ° | Citation of document, with indication, where appropriate, of the relevant passages   | Relevant to claim No.   |
|------------|--|-------------------------|
| X          | US 4 872 451 A (WOLF EUGENE M ET AL)<br>10 October 1989 (1989-10-10)   | 1-4,<br>9-15, 19,<br>20 |
| Y          | abstract; figures 1-3<br>column 1, line 57 -column 2, line 20<br>column 3, line 8-13<br>column 3, line 25-30<br>---  | 5, 8, 16                |
| Y          | WO 95 35180 A (STARK JOHN G)<br>28 December 1995 (1995-12-28)  | 5, 8, 16                |
| A          | abstract; figures 5, 6, 9<br>page 3, line 22-25<br>page 4, line 29-34<br>page 8, line 23-27<br>page 12, line 32 -page 13, line 13<br>page 13, line 19-22<br>page 15, line 10-12<br>---<br>-/-- | 11-13                   |

Further documents are listed in the continuation of box C.

Patent family members are listed in annex.

° Special categories of cited documents :

\*A\* document defining the general state of the art which is not considered to be of particular relevance

\*E\* earlier document but published on or after the international filing date

\*L\* document which may throw doubts on priority claim(s) or which is cited to establish the publication date of another citation or other special reason (as specified)

\*O\* document referring to an oral disclosure, use, exhibition or other means

\*P\* document published prior to the international filing date but later than the priority date claimed

\*T\* later document published after the international filing date or priority date and not in conflict with the application but cited to understand the principle or theory underlying the invention

\*X\* document of particular relevance: the claimed invention cannot be considered novel or cannot be considered to involve an inventive step when the document is taken alone

\*Y\* document of particular relevance: the claimed invention cannot be considered to involve an inventive step when the document is combined with one or more other such documents, such combination being obvious to a person skilled in the art.

\*&\* document member of the same patent family

Date of the actual completion of the international search

12 September 2001

Date of mailing of the international search report

20/09/2001

Name and mailing address of the ISA

European Patent Office, P.B. 5818 Patentlaan 2  
NL - 2280 HV Rijswijk  
Tel. (+31-70) 340-2040, Tx. 31 651 epo nl,  
Fax: (+31-70) 340-3016

Authorized officer

Macaire, S

## INTERNATIONAL SEARCH REPORT

Inte: onal Application No

PCT/US 00/42268

## C.(Continuation) DOCUMENTS CONSIDERED TO BE RELEVANT

| Category ° | Citation of document, with indication, where appropriate, of the relevant passages  | Relevant to claim No. |
|------------|---|-----------------------|
| A          | WO 99 52446 A (RODTS GERALD E JR ;SDGI HOLDINGS INC (US); ESTES BRADLEY T (US); H) 21 October 1999 (1999-10-21)<br>abstract; figures 21-25<br>page 18, line 8-27<br>page 20, line 6-18<br>----- | 2-5,8                 |
| A          | US 5 364 399 A (SHERMAN MICHAEL C ET AL)<br>15 November 1994 (1994-11-15)<br>abstract; figure 10<br>column 10, line 5-15<br>-----   | 2                     |

## INTERNATIONAL SEARCH REPORT

Information on patent family members

International Application No

PCT/US 00/42268

| Patent document cited in search report | Publication date | Patent family member(s) | Publication date  |
|--|------------------|-------------------------|---|
| US 4872451                             | A                | 10-10-1989              | NONE  |
| WO 9535180                             | A                | 28-12-1995              | AU 2944495 A<br>WO 9535180 A1   |
| WO 9952446                             | A                | 21-10-1999              | US 6241729 B1<br>AU 3488099 A<br>AU 3551899 A<br>AU 3744699 A<br>EP 1069862 A1<br>EP 1069864 A2<br>WO 9952446 A2<br>WO 9952447 A1<br>WO 9952453 A2<br>US 6197033 B1<br>US 2001012942 A1 |
| US 5364399                             | A                | 15-11-1994              | AU 692147 B2<br>AU 6094894 A<br>CA 2154470 A1<br>CN 1119411 A<br>EP 1106144 A1<br>EP 0683646 A1<br>JP 8506502 T<br>TR 28594 A<br>WO 9417744 A1<br>US 5423826 A<br>ZA 9400777 A          |