



US00D337693S

United States Patent [19]

[11] Patent Number: Des. 337,693

Segati

[45] Date of Patent: ** Jul. 27, 1993

- [54] CONTAINER CLOSURE
- [75] Inventor: **Umberto D. I. Segati**, Brussels, Belgium
- [73] Assignee: **Colgate-Palmolive Company**, New York, N.Y.
- [**] Term: **14 Years**
- [21] Appl. No.: **521,468**
- [22] Filed: **May 9, 1990**
- [52] U.S. Cl. **D7/392; D9/435**
- [58] Field of Search **D7/378, 392, 510, 321, D7/397; D9/435, 454, 457, 440, 447, 448; 222/569, 485, 570, 530, 566, 553, 517, 92, 147; 220/702, 697, 700; D28/13**

- 4,396,134 8/1983 Owens 222/570 X
- 4,475,274 10/1984 Beckstrom et al. 29/450
- 4,494,682 1/1985 Beckstrom et al. 222/551
- 4,653,676 3/1987 Stull 222/566

Primary Examiner—Alan P. Douglas
Assistant Examiner—M. N. Pandozzi
Attorney, Agent, or Firm—Richard J. Ancel; Robert C. Sullivan

[57] CLAIM

The ornamental design for a container closure, as shown and described.

DESCRIPTION

FIG. 1 is a right side elevational view of a container closure showing my new design;
 FIG. 2 is an enlarged right side elevational view thereof;
 FIG. 3 is a front elevational view thereof;
 FIG. 4 is a rear elevational view thereof;
 FIG. 5 is a side elevational view, substantially identical to FIG. 2, showing the other side thereof;
 FIG. 6 is a top plan view thereof;
 FIG. 7 is a bottom plan view thereof;
 FIG. 8 is an exploded isometric view thereof;
 FIG. 9 is a right side elevational view of a container closure showing a second embodiment of my new design, the left side being a mirror image thereof;
 FIG. 10 is a front elevational view thereof;
 FIG. 11 is a rear elevational view thereof;
 FIG. 12 is a bottom plan view thereof;
 FIG. 13 is a top plan view thereof; and,
 FIG. 14 is an exploded isometric view thereof.
 The broken line showing of a container in FIG. 1 is for illustrative purposes only and forms no part of the claimed design.

[56] References Cited

U.S. PATENT DOCUMENTS

- D. 112,513 12/1938 Caevacho D9/454
- D. 164,164 8/1951 Gossman D9/439
- D. 168,190 11/1952 Robinson D9/439
- D. 199,440 10/1964 Jones D9/439 X
- D. 246,021 5/1976 Lawhead D9/439
- D. 247,630 3/1978 Wistrand D28/13
- D. 256,672 9/1980 Beck D9/454
- D. 271,285 11/1983 Lauren D9/454
- D. 292,674 11/1987 Morris et al. D9/439
- D. 305,871 2/1990 Geiger D9/435
- D. 314,915 2/1991 Thompson D9/435
- 1,986,741 1/1935 Moser 221/147
- 2,066,889 1/1937 Kay 222/147 X
- 2,512,813 6/1950 Soddors 222/569
- 2,706,069 4/1955 Rasmussen 222/570
- 3,124,273 3/1964 Remington et al. 222/92
- 3,428,202 2/1969 Asmus et al. D9/454 X
- 3,741,447 6/1973 Miles et al. 222/517

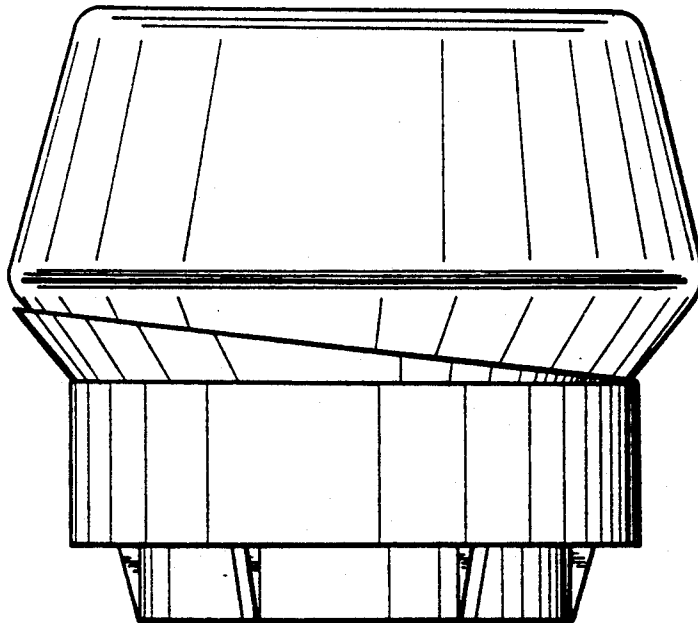
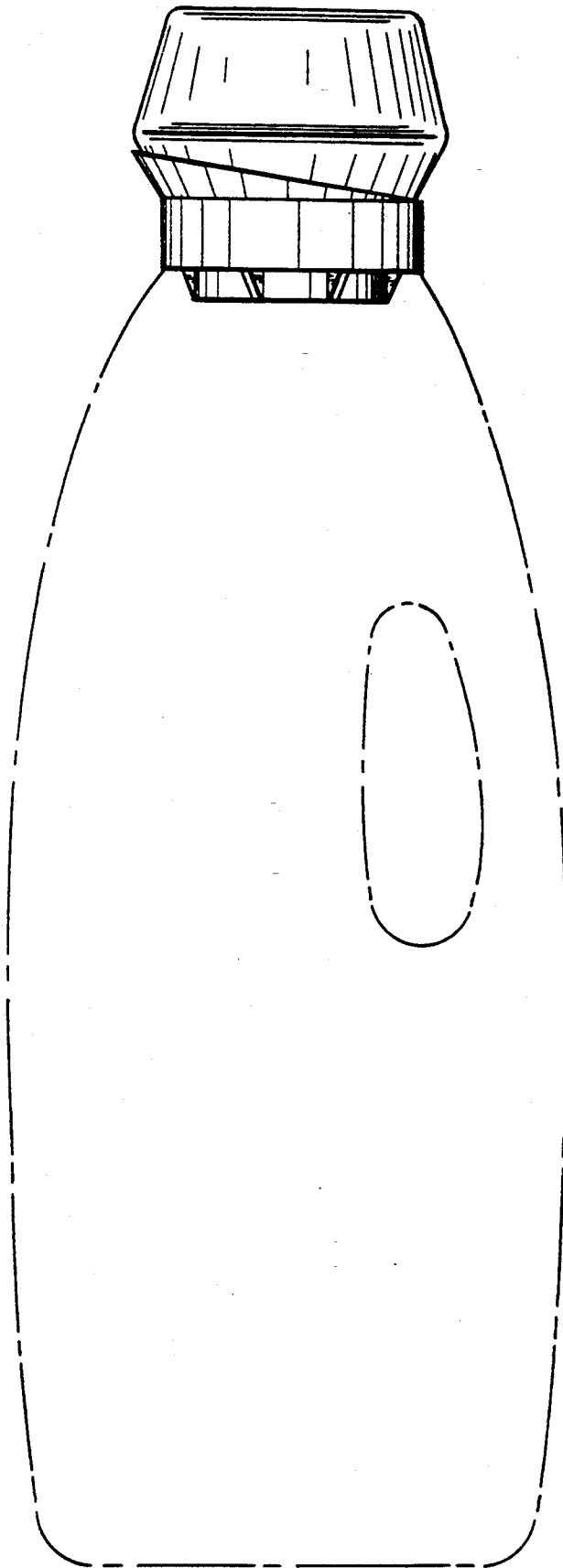


FIG. 1



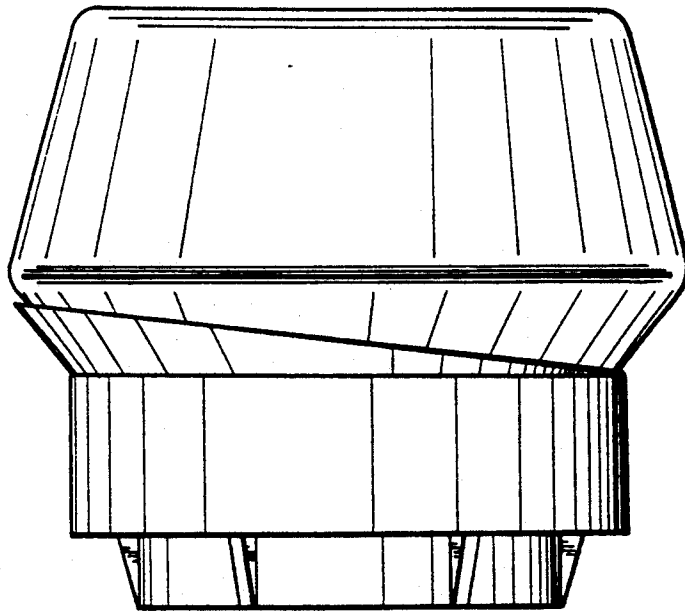


FIG. 2

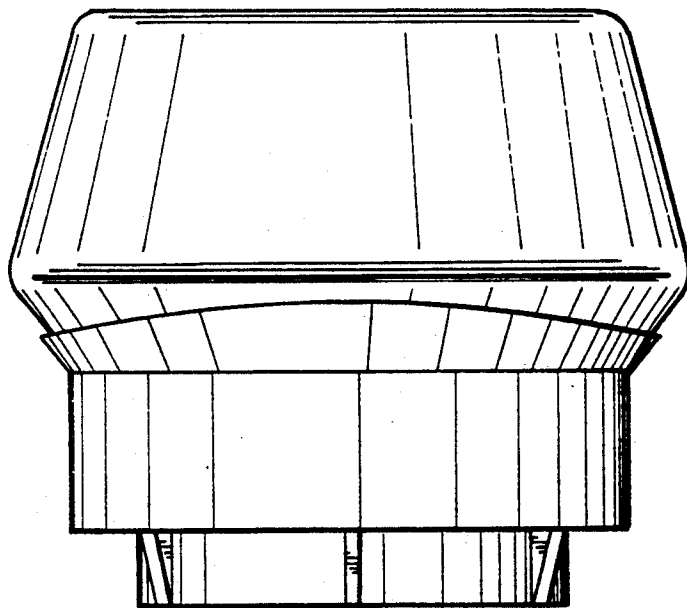


FIG. 3

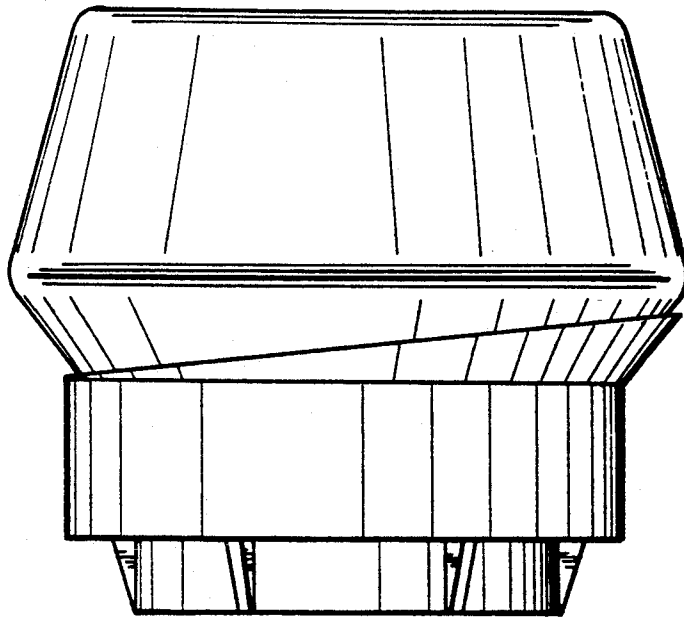


FIG. 5

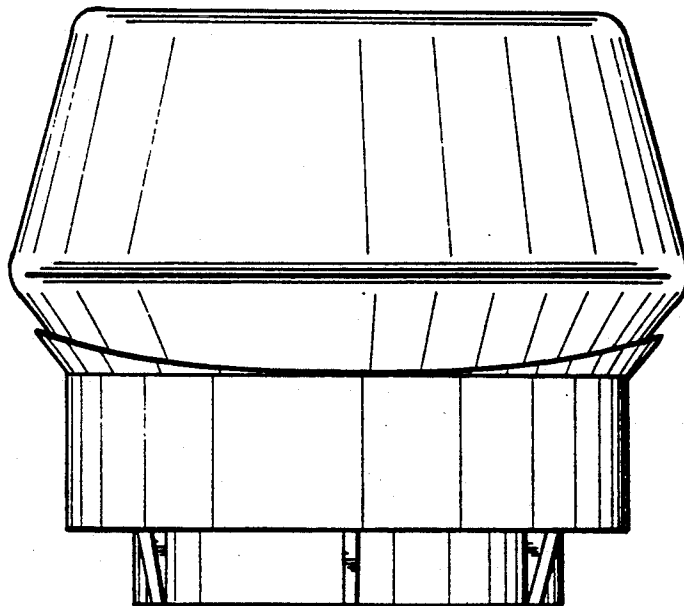


FIG. 4

FIG. 6

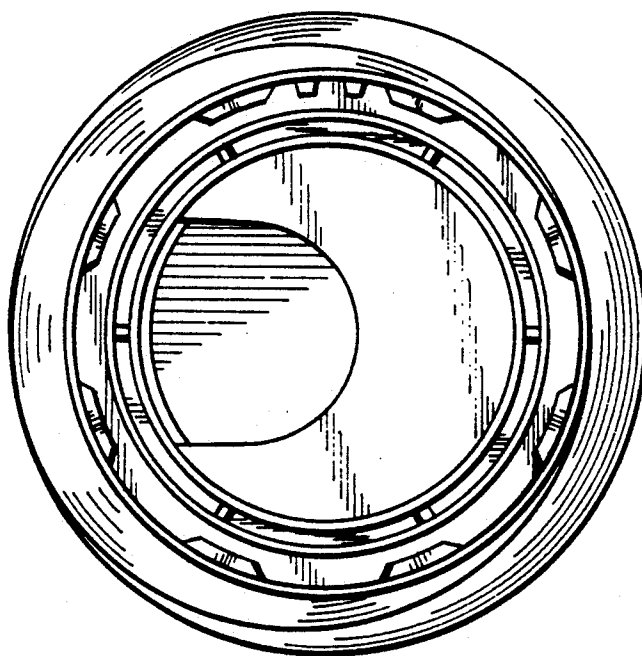
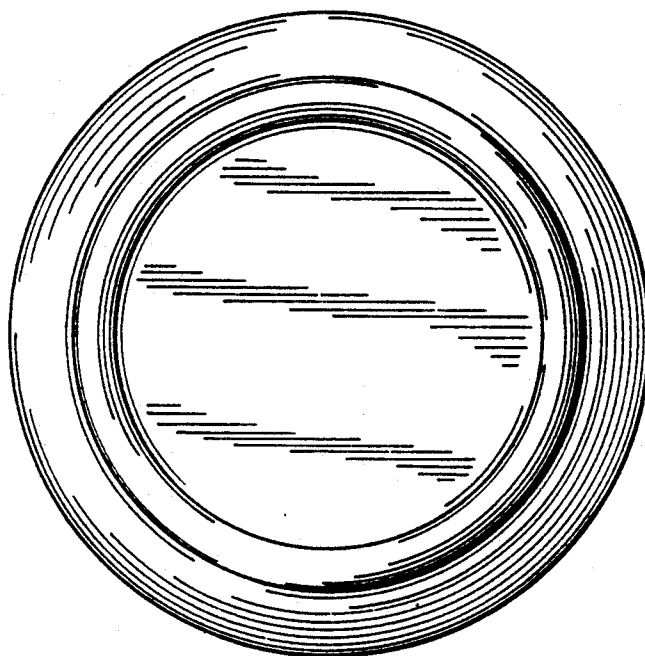


FIG. 7

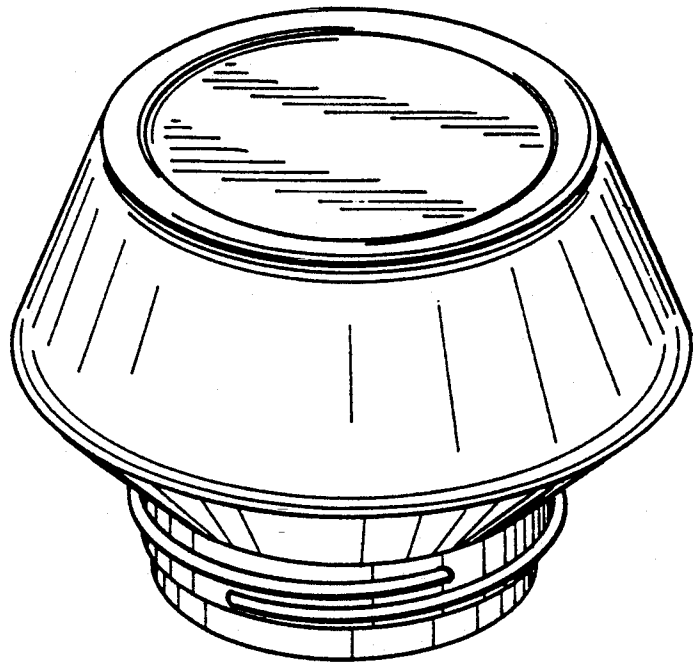


FIG. 8

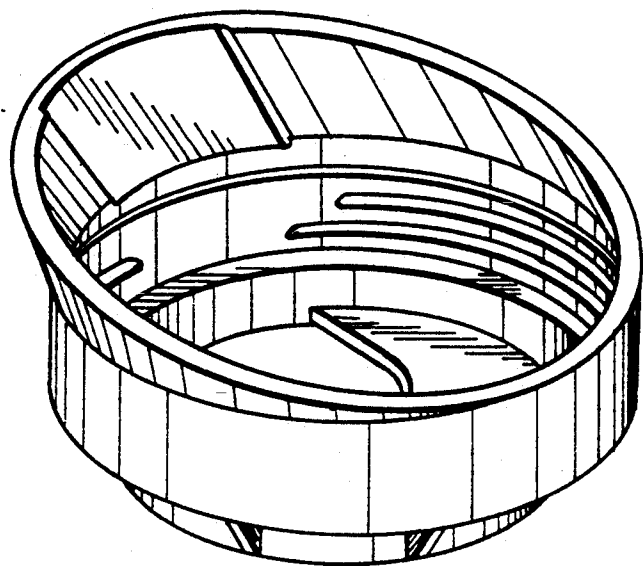


FIG. 9

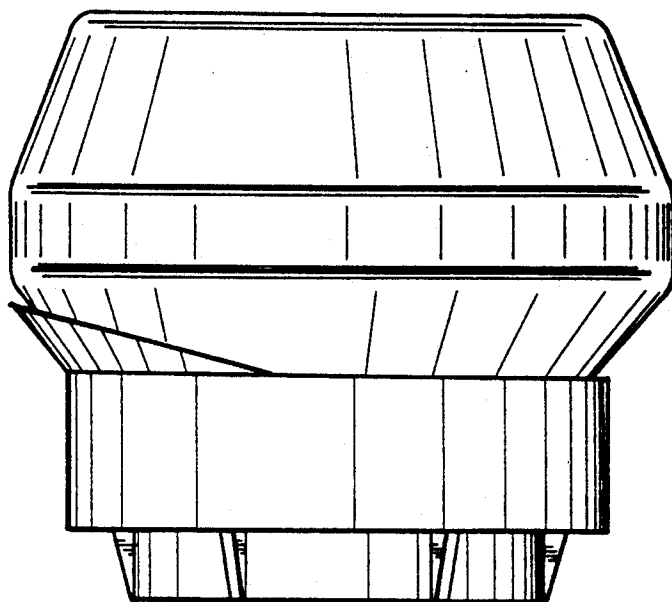
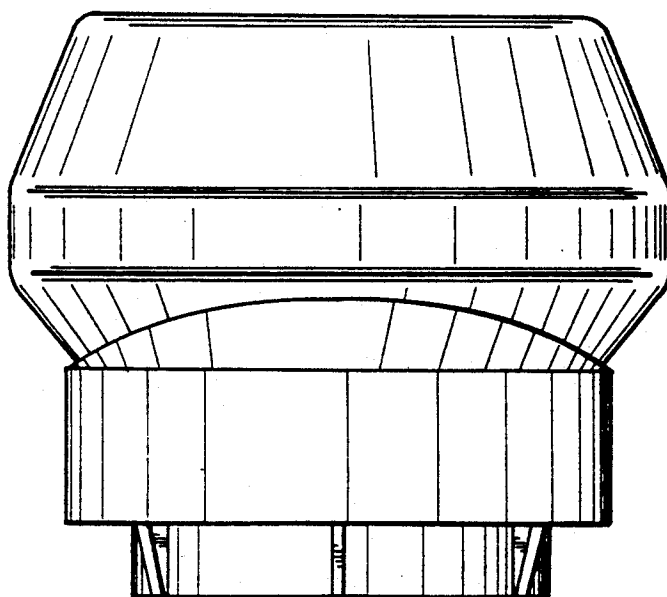


FIG. 10



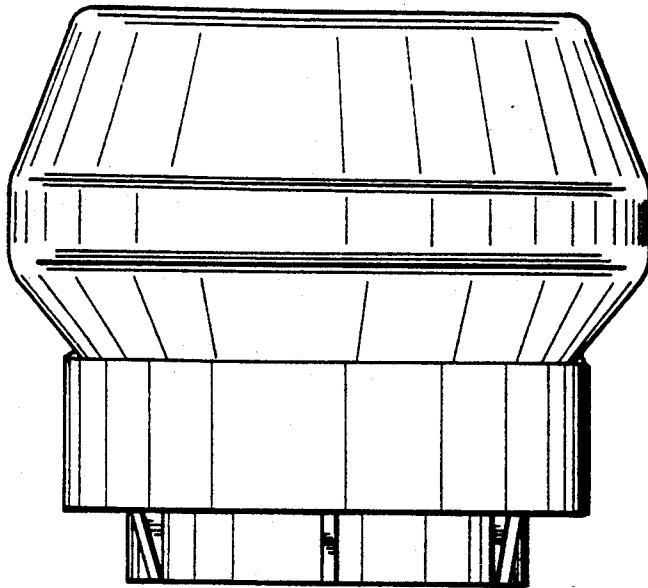


FIG. 11

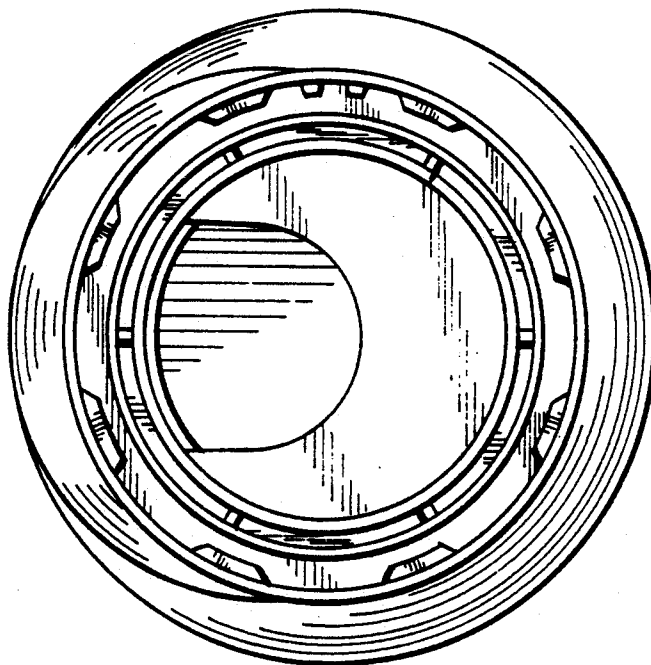
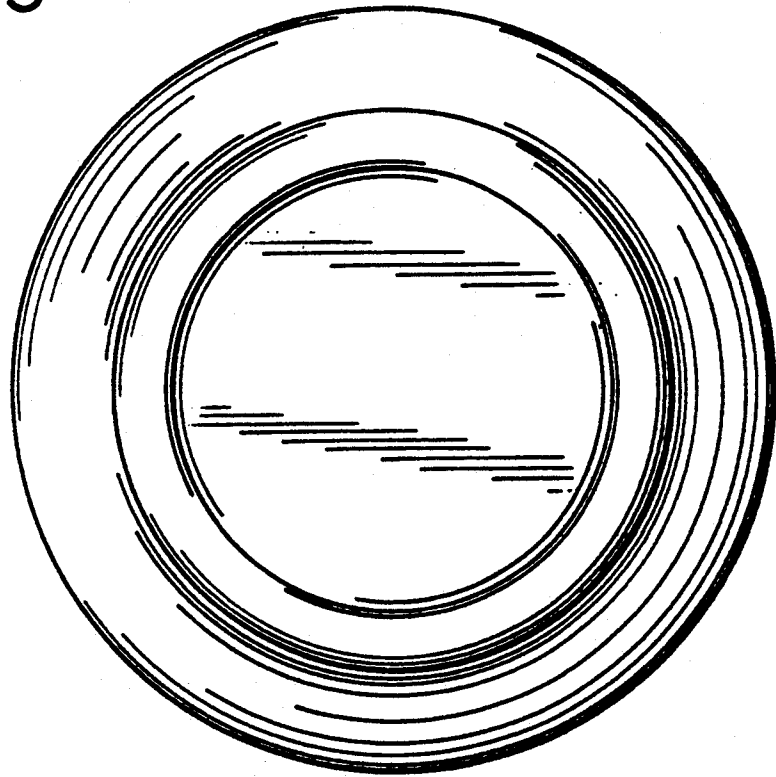


FIG. 12

FIG. 13



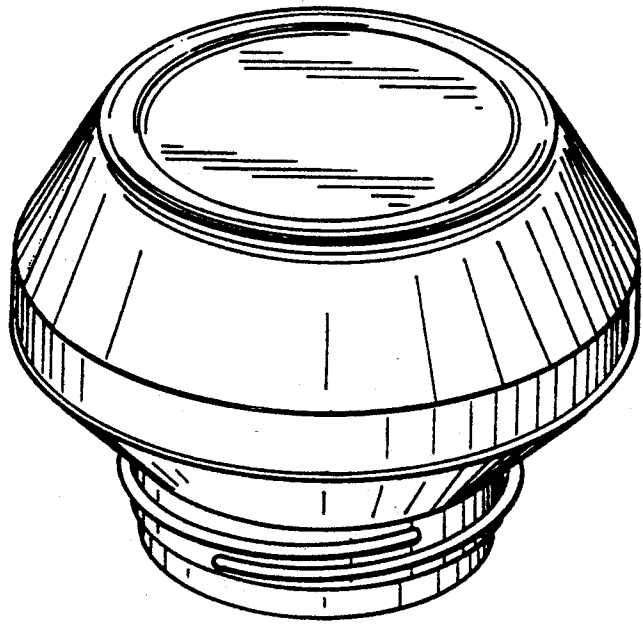


FIG. 14

