



US00D445396S

(12) **United States Design Patent**
Wood

(10) **Patent No.:** **US D445,396 S**

(45) **Date of Patent:** **** Jul. 24, 2001**

(54) **TARPAULIN COVERING DEVICE**

(76) **Inventor:** **Jerry W. Wood, P.O. Box 1045, Alma, AR (US) 72921**

(**) **Term:** **14 Years**

(21) **Appl. No.:** **29/133,205**

(22) **Filed:** **Nov. 27, 2000**

(51) **LOC (7) Cl.** **12-16**

(52) **U.S. Cl.** **D12/403**

(58) **Field of Search** D12/400, 401, D12/403; 296/98-100, 100.1-101, 136, 95; 160/370.21, 370.22, 133, DIG. 2, DIG. 3, 26, 32-33, 36; 150/166, 168

(56) **References Cited**

U.S. PATENT DOCUMENTS

D. 307,882	*	5/1990	Daniel	D12/401
D. 338,439	*	8/1993	Avila	D12/401
D. 354,039	*	1/1995	Kuoppala	D12/401
D. 413,560	*	9/1999	Sambell	D12/401 X
5,180,203	*	1/1993	Goudy	296/98
5,251,950	*	10/1993	Bernardo	296/98
5,423,588	*	6/1995	Eglinton	296/98

5,542,733	*	8/1996	Kintz	296/98
5,547,243	*	8/1996	Lamb et al.	296/98
5,655,807	*	8/1997	Rosario	296/98
5,758,921	*	6/1998	Hall	296/98
5,775,765	*	7/1998	Kintz	296/98
5,829,819	*	11/1998	Searfoss	296/98
6,012,759	*	1/2000	Adamek	296/136
6,053,556	*	4/2000	Webb	296/98

* cited by examiner

Primary Examiner—Stacia Cadmus

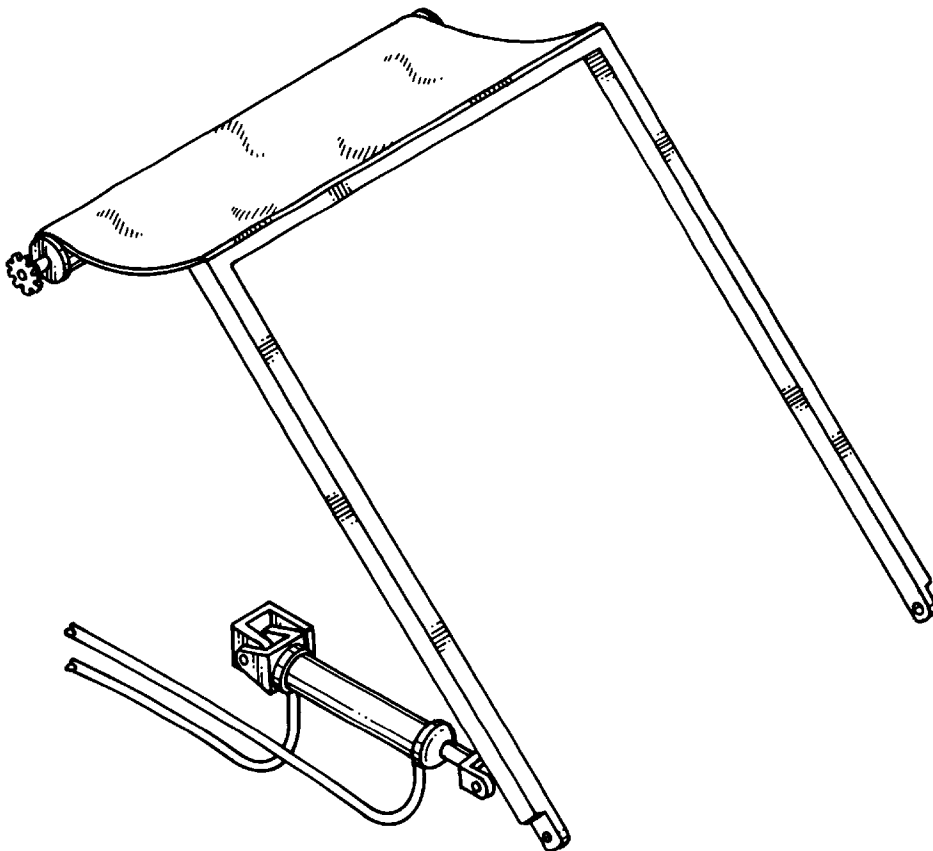
(57) **CLAIM**

The ornamental design for a tarpaulin covering device, as shown and described.

DESCRIPTION

FIG. 1 is a perspective view tarpaulin covering device, showing my new design;
 FIG. 2 is a rear elevational view thereof;
 FIG. 3 is a front elevational view thereof;
 FIG. 4 is a right side elevational view thereof;
 FIG. 5 is a left side elevational view thereof;
 FIG. 6 is a top plan view thereof; and,
 FIG. 7 is a bottom plan view thereof.

1 Claim, 4 Drawing Sheets



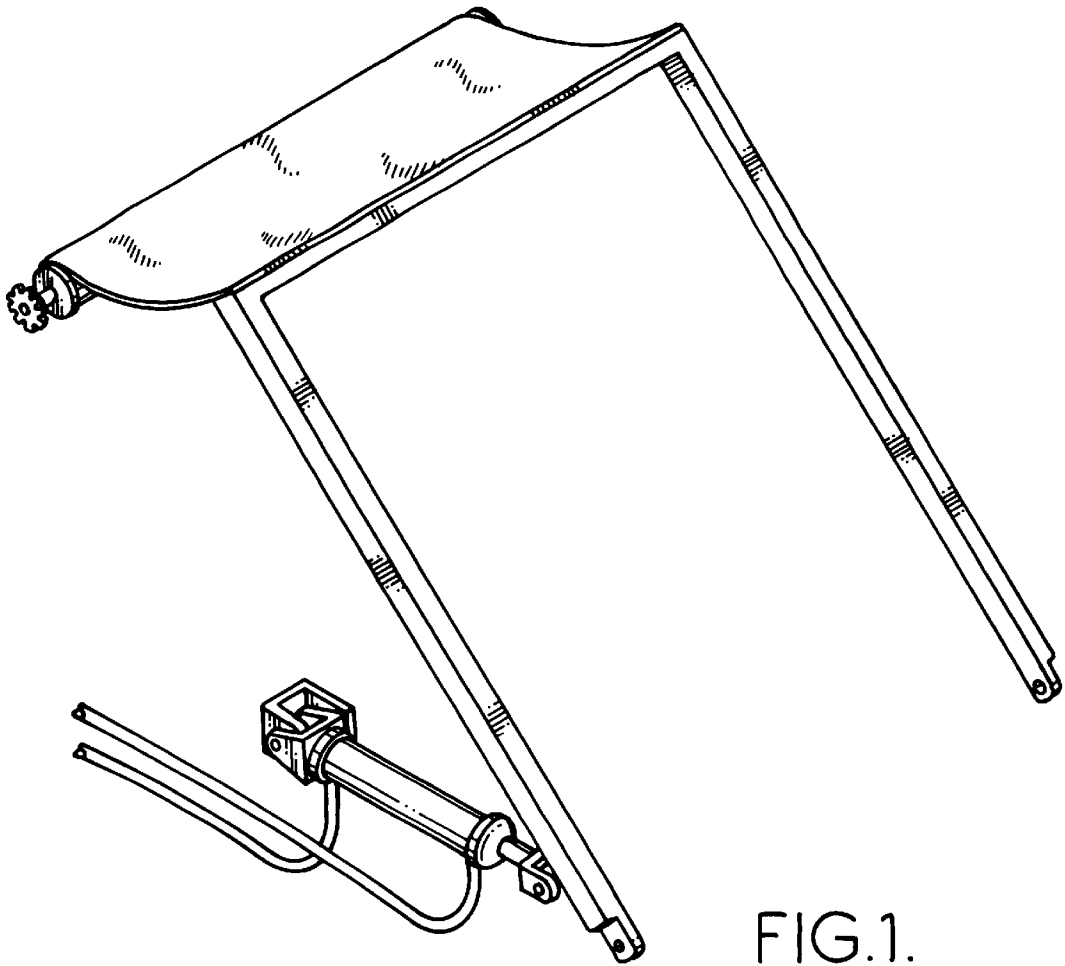


FIG. 1.

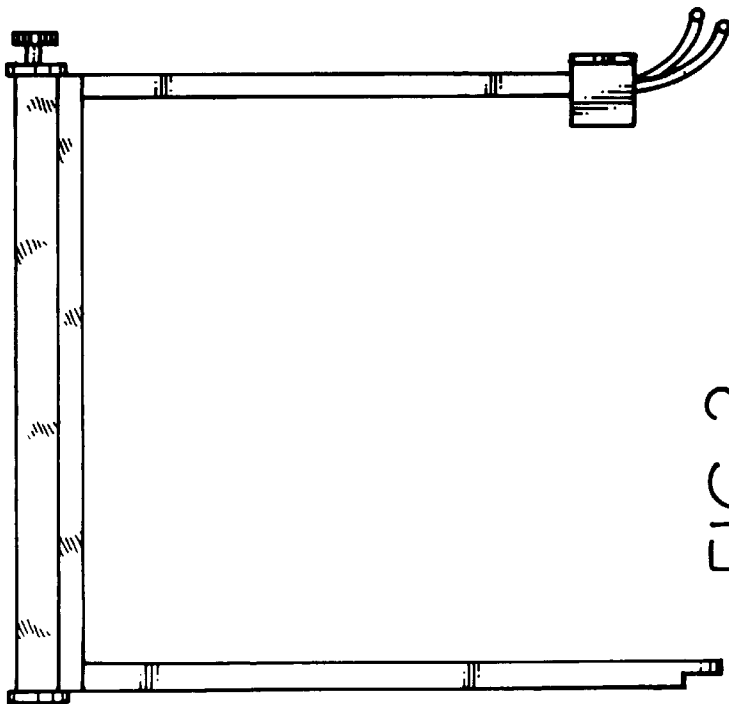


FIG. 2.

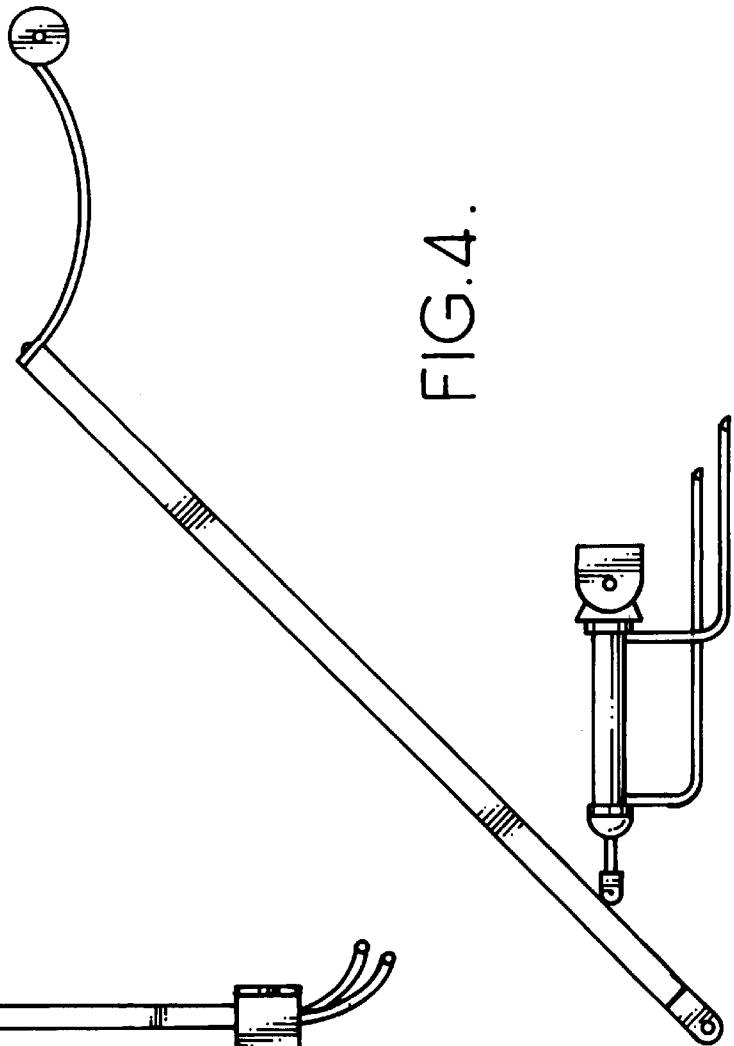


FIG. 4.

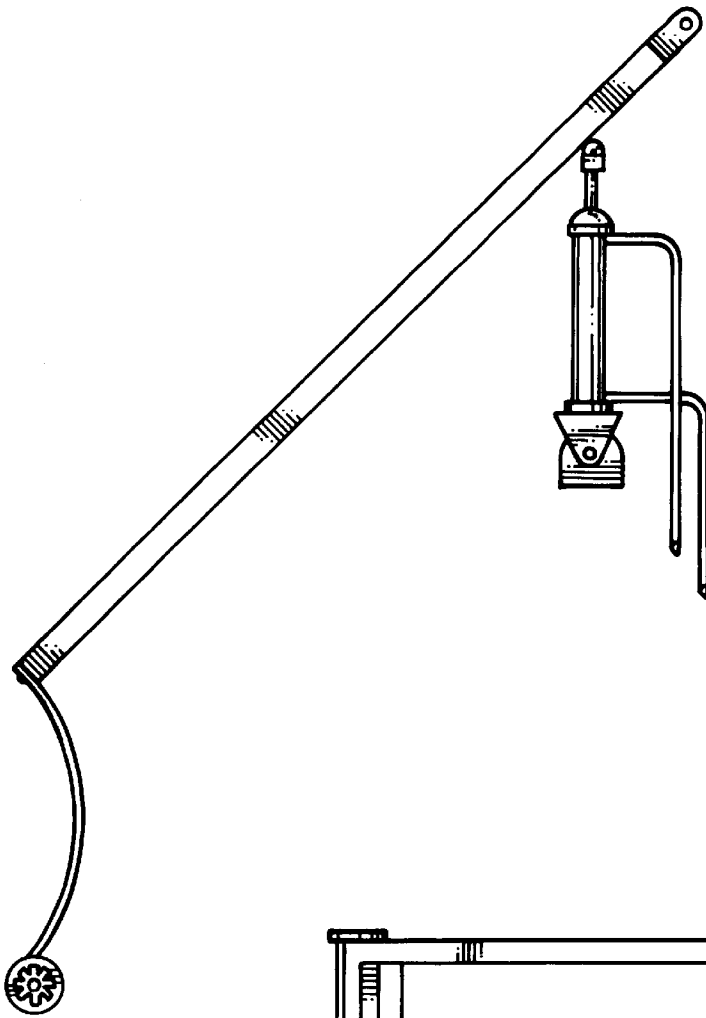


FIG. 5.

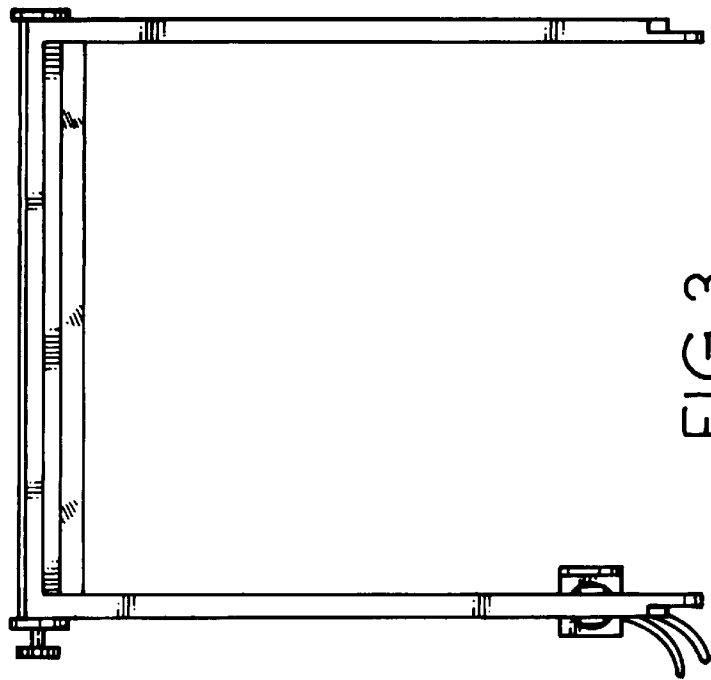


FIG. 3.

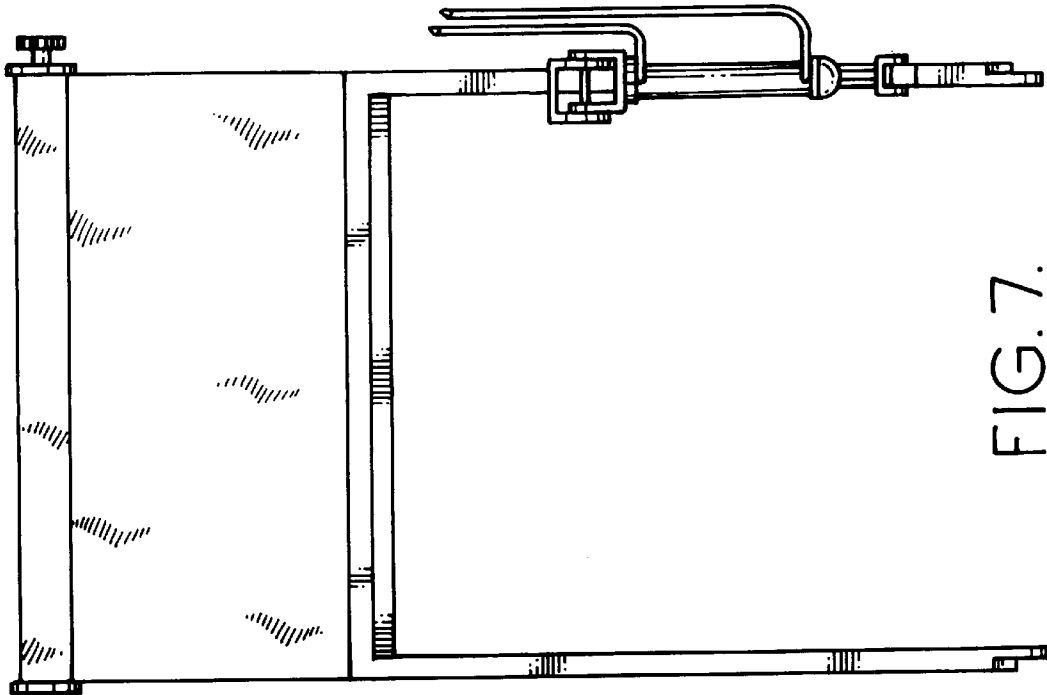


FIG. 7.

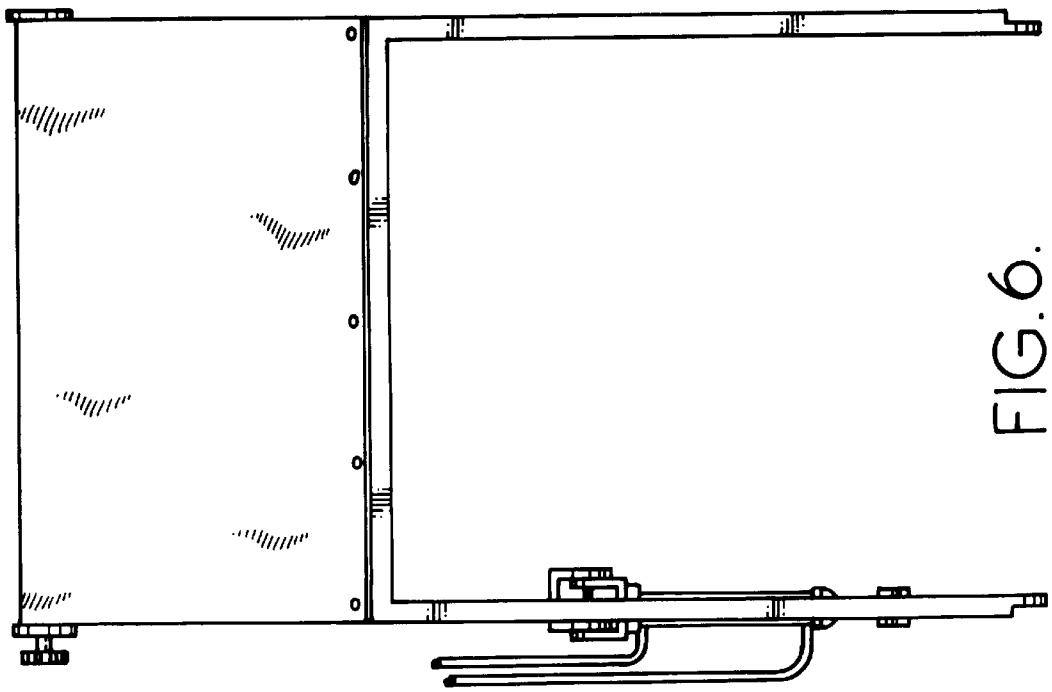


FIG. 6.