



- (51) **International Patent Classification:**
H04N 19/117 (2014.01) *H04N 19/30* (2014.01)
- (21) **International Application Number:**
PCT/US2014/032820
- (22) **International Filing Date:**
3 April 2014 (03.04.2014)
- (25) **Filing Language:** English
- (26) **Publication Language:** English
- (30) **Priority Data:**
61/808,590 4 April 2013 (04.04.2013) US
14/243,310 2 April 2014 (02.04.2014) US
- (71) **Applicant:** QUALCOMM INCORPORATED [US/US];
ATTN: International IP Administration, 5775 Morehouse Drive, San Diego, California 92121-1714 (US).
- (72) **Inventors:** PU, Wei; 5775 Morehouse Drive, San Diego, California 92121-1714 (US). CHEN, Jianle; 5775 Morehouse Drive, San Diego, California 92121-1714 (US). LI,

Xiang; 5775 Morehouse Drive, San Diego, California 92121-1714 (US). KARCZEWICZ, Marta; 5775 Morehouse Drive, San Diego, California 92121-1714 (US). SEREGIN, Vadim; 5775 Morehouse Drive, San Diego, California 92121-1714 (US).

(74) **Agents:** ABUMERI, Mark M. et al.; Knobbe Martens Olson & Bear LLP, 2040 Main Street, Fourteenth Floor, Irvine, California 92614 (US).

(81) **Designated States** (unless otherwise indicated, for every kind of national protection available): AE, AG, AL, AM, AO, AT, AU, AZ, BA, BB, BG, BH, BN, BR, BW, BY, BZ, CA, CH, CL, CN, CO, CR, CU, CZ, DE, DK, DM, DO, DZ, EC, EE, EG, ES, FI, GB, GD, GE, GH, GM, GT, HN, HR, HU, ID, IL, IN, IR, IS, JP, KE, KG, KN, KP, KR, KZ, LA, LC, LK, LR, LS, LT, LU, LY, MA, MD, ME, MG, MK, MN, MW, MX, MY, MZ, NA, NG, NI, NO, NZ, OM, PA, PE, PG, PH, PL, PT, QA, RO, RS, RU, RW, SA, SC, SD, SE, SG, SK, SL, SM, ST, SV, SY, TH, TJ, TM, TN, TR, TT, TZ, UA, UG, US, UZ, VC, VN, ZA, ZM, ZW.

[Continued on next page]

(54) **Title:** MULTIPLE BASE LAYER REFERENCE PICTURES FOR SHVC

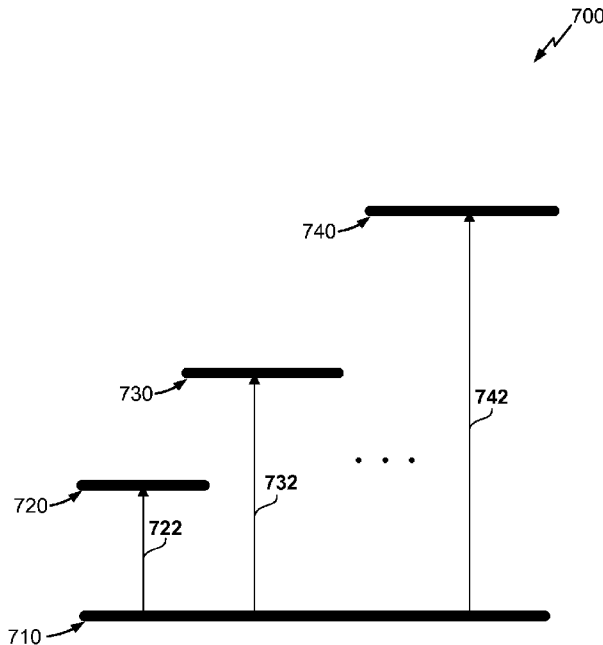


FIG. 7

(57) **Abstract:** A method of coding video data can include receiving video information associated with a reference layer, an enhancement layer, or both, and generating a plurality of inter-layer reference pictures using a plurality of inter-layer filters and one or more reference layer pictures. The generated plurality of inter-layer reference pictures may be inserted into a reference picture list. A current picture in the enhancement layer may be coded using the reference picture list. The inter-layer filters may comprise default inter-layer filters or alternative inter-layer filters signaled in a sequence parameter set, video parameter set, or slice header.

WO 2014/165671 A3

(84) Designated States (*unless otherwise indicated, for every kind of regional protection available*): ARIPO (BW, GH, GM, KE, LR, LS, MW, MZ, NA, RW, SD, SL, SZ, TZ, UG, ZM, ZW), Eurasian (AM, AZ, BY, KG, KZ, RU, TJ, TM), European (AL, AT, BE, BG, CH, CY, CZ, DE, DK, EE, ES, FI, FR, GB, GR, HR, HU, IE, IS, IT, LT, LU, LV, MC, MK, MT, NL, NO, PL, PT, RO, RS, SE, SI, SK, SM, TR), OAPI (BF, BJ, CF, CG, CI, CM, GA, GN, GQ, GW, KM, ML, MR, NE, SN, TD, TG).

Published:

- *with international search report (Art. 21(3))*
- *before the expiration of the time limit for amending the claims and to be republished in the event of receipt of amendments (Rule 48.2(h))*

(88) Date of publication of the international search report:

8 January 2015

INTERNATIONAL SEARCH REPORT

International application No
PCT/US2014/032820

A. CLASSIFICATION OF SUBJECT MATTER
INV. H04N19/117 H04N19/30
ADD.
According to International Patent Classification (IPC) or to both national classification and IPC

B. FIELDS SEARCHED
Minimum documentation searched (classification system followed by classification symbols)
H04N
Documentation searched other than minimum documentation to the extent that such documents are included in the fields searched

Electronic data base consulted during the international search (name of data base and, where practicable, search terms used)
EPO-Internal, WPI Data

C. DOCUMENTS CONSIDERED TO BE RELEVANT		
Category*	Citation of document, with indication, where appropriate, of the relevant passages	Relevant to claim No.
X	WO 2012/044487 A1 (DOLBY LAB LICENSING CORP [US]; PAHALAWATTA PESHALA V [US]; HE YUWEN [U] 5 April 2012 (2012-04-05) paragraphs [0025], [0029] - [0046], [0053], [0058] - [0062]; figures -----	1-30
A	EP 1 720 358 A2 (SHARP KK [JP]) 8 November 2006 (2006-11-08) abstract paragraphs [0009] - [0016], [0024] - [0031], [0041] - [0044], [0060], [0061]; figures -----	1-30

Further documents are listed in the continuation of Box C.

See patent family annex.

* Special categories of cited documents :

- "A" document defining the general state of the art which is not considered to be of particular relevance
- "E" earlier application or patent but published on or after the international filing date
- "L" document which may throw doubts on priority claim(s) or which is cited to establish the publication date of another citation or other special reason (as specified)
- "O" document referring to an oral disclosure, use, exhibition or other means
- "P" document published prior to the international filing date but later than the priority date claimed

- "T" later document published after the international filing date or priority date and not in conflict with the application but cited to understand the principle or theory underlying the invention
- "X" document of particular relevance; the claimed invention cannot be considered novel or cannot be considered to involve an inventive step when the document is taken alone
- "Y" document of particular relevance; the claimed invention cannot be considered to involve an inventive step when the document is combined with one or more other such documents, such combination being obvious to a person skilled in the art
- "&" document member of the same patent family

Date of the actual completion of the international search 17 November 2014	Date of mailing of the international search report 25/11/2014
--	---

Name and mailing address of the ISA/ European Patent Office, P.B. 5818 Patentlaan 2 NL - 2280 HV Rijswijk Tel. (+31-70) 340-2040, Fax: (+31-70) 340-3016	Authorized officer Exner, Alfred
--	--

INTERNATIONAL SEARCH REPORT

Information on patent family members

International application No

PCT/US2014/032820

Patent document cited in search report		Publication date	Patent family member(s)	Publication date
WO 2012044487	A1	05-04-2012	CN 103141099 A	05-06-2013
			EP 2622857 A1	07-08-2013
			JP 2014504459 A	20-02-2014
			US 2013194505 A1	01-08-2013
			WO 2012044487 A1	05-04-2012

EP 1720358	A2	08-11-2006	EP 1720358 A2	08-11-2006
			JP 4999340 B2	15-08-2012
			JP 2006295913 A	26-10-2006
			US 2006268991 A1	30-11-2006
