



US00D872014S

(12) **United States Design Patent**  
**Zhang et al.**

(10) **Patent No.:** **US D872,014 S**  
(45) **Date of Patent:** **\*\* Jan. 7, 2020**

(54) **WIRELESS CHARGER**

(71) Applicant: **Ugreen Group Limited**, Shenzhen (TW)

(72) Inventors: **Qingsen Zhang**, Shenzhen (CN);  
**Junling Chen**, Shenzhen (CN);  
**Jianqiang Liang**, Shenzhen (CN)

(\*\*) Term: **15 Years**

(21) Appl. No.: **29/656,859**

(22) Filed: **Jul. 17, 2018**

(30) **Foreign Application Priority Data**

Jan. 18, 2018 (CN) ..... 2018 3 0024174

(51) **LOC (12) Cl.** ..... **13-02**

(52) **U.S. Cl.**

USPC ..... **D13/108**; D14/253

(58) **Field of Classification Search**

USPC ..... D13/103, 107-108, 110, 118-119, 184,  
D13/199; D14/251, 253, 432, 434

CPC ..... H02J 7/00; H02J 7/0003; H02J 7/0011;  
H02J 7/0013; H02J 7/025; H02J 7/0054;  
H02J 7/0055; H02J 7/0057; H02J 5/00;  
H02J 5/005; H02J 50/00; H02J 50/10;  
H02J 50/12; H02J 50/50; H02J 50/80;  
H01M 10/46; H01M 10/465; H01M  
2200/30; H01M 2250/30

See application file for complete search history.

(56) **References Cited**

**U.S. PATENT DOCUMENTS**

D489,322 S \* 5/2004 Sawai ..... D13/108  
7,296,771 B2 \* 11/2007 Kalis ..... B60R 11/0258  
248/205.5

D570,836 S \* 6/2008 Chen ..... D14/253  
D603,322 S \* 11/2009 Nicieja ..... D12/415  
D654,119 S \* 2/2012 Lin ..... D14/434  
D654,120 S \* 2/2012 Lin ..... D14/434  
D705,211 S \* 5/2014 Huang ..... D14/253  
D709,066 S \* 7/2014 Byun ..... D14/253  
D713,398 S \* 9/2014 Alesi ..... D14/253  
D718,612 S \* 12/2014 McSweyn ..... D8/363  
D767,556 S \* 9/2016 Lee ..... D12/415  
D778,713 S \* 2/2017 McSweyn ..... D12/415  
D784,923 S \* 4/2017 Song ..... D13/108  
D804,413 S \* 12/2017 McSweyn ..... D13/108  
D852,188 S \* 6/2019 He ..... D14/253  
D862,454 S \* 10/2019 Chun ..... D14/253  
2006/0290654 A1 \* 12/2006 Wang ..... B60R 11/0235  
345/156

\* cited by examiner

*Primary Examiner* — Rosemary K Tarcza

(74) *Attorney, Agent, or Firm* — ZANIP

(57) **CLAIM**

The ornamental design for a wireless charger, as shown and described.

**DESCRIPTION**

FIG. 1 is a Front Perspective view of a wireless charger showing my new design;

FIG. 2 is a Rear Perspective view thereof;

FIG. 3 is a Front elevational view thereof;

FIG. 4 is a Rear elevational view thereof;

FIG. 5 is a Right side view thereof;

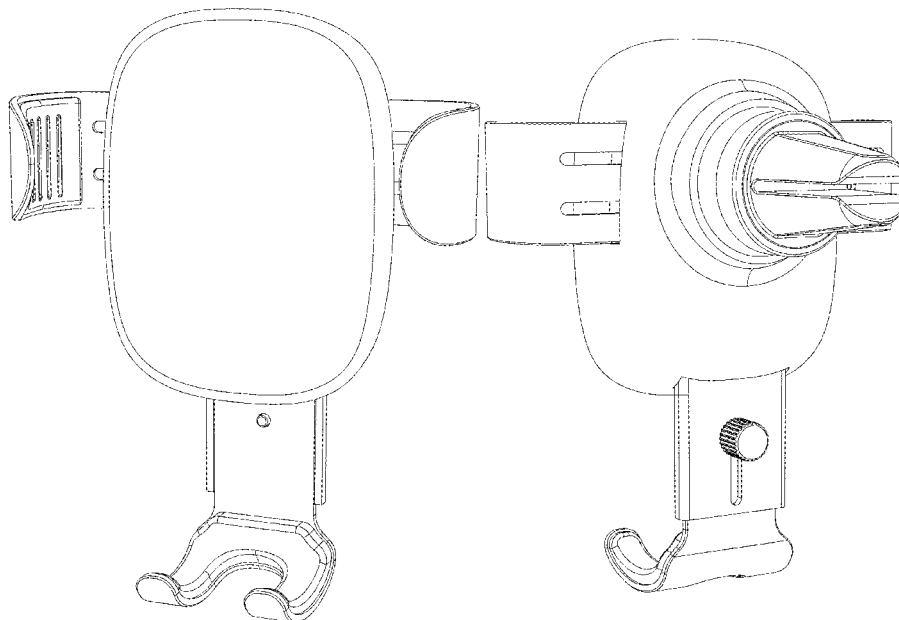
FIG. 6 is a Left side view thereof;

FIG. 7 is a Top plan view thereof; and,

FIG. 8 is a Bottom plan view thereof.

The broken lines shown in the drawings are included for the purpose of illustrating portions of the wireless charger that form no part of the claimed design.

**1 Claim, 8 Drawing Sheets**



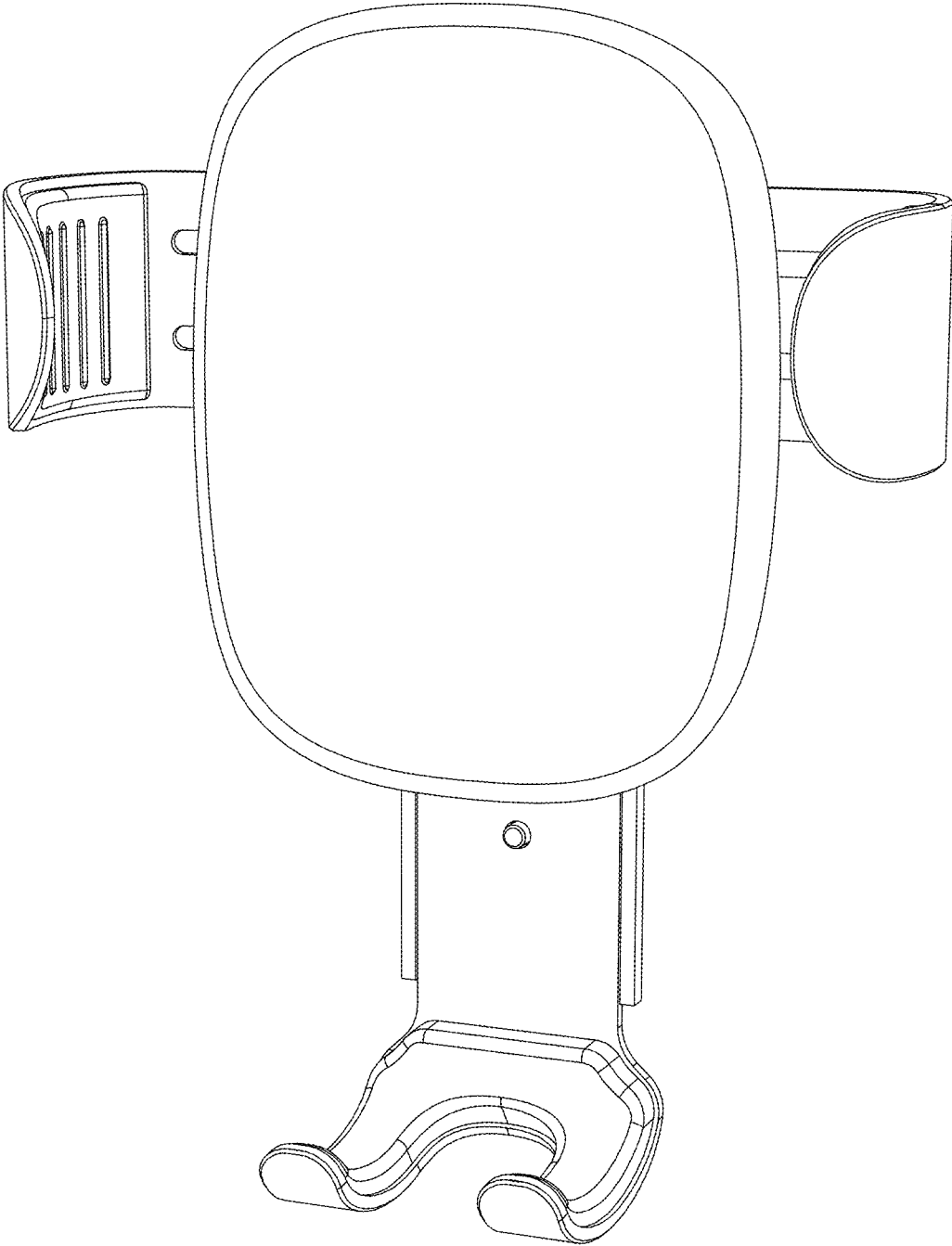


Fig. 1

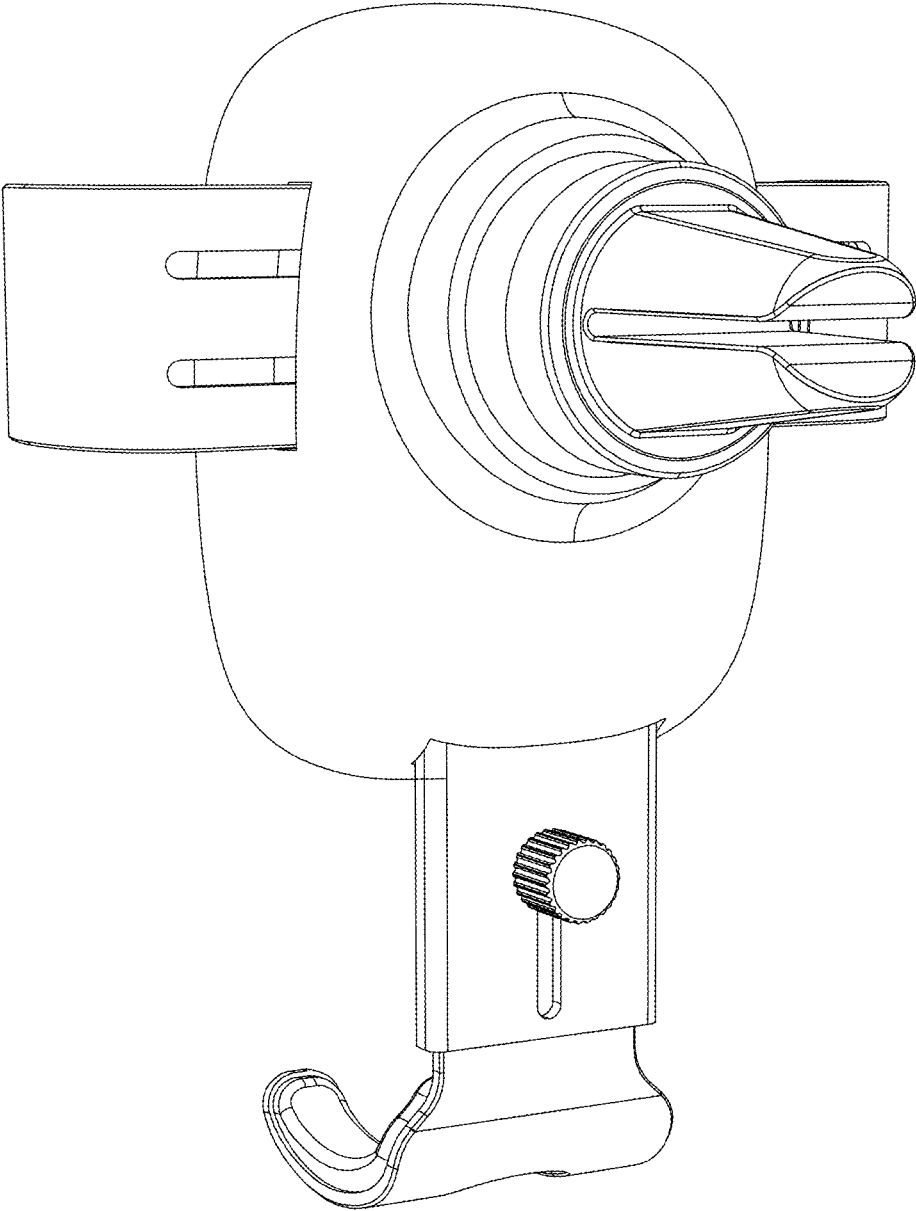


Fig. 2

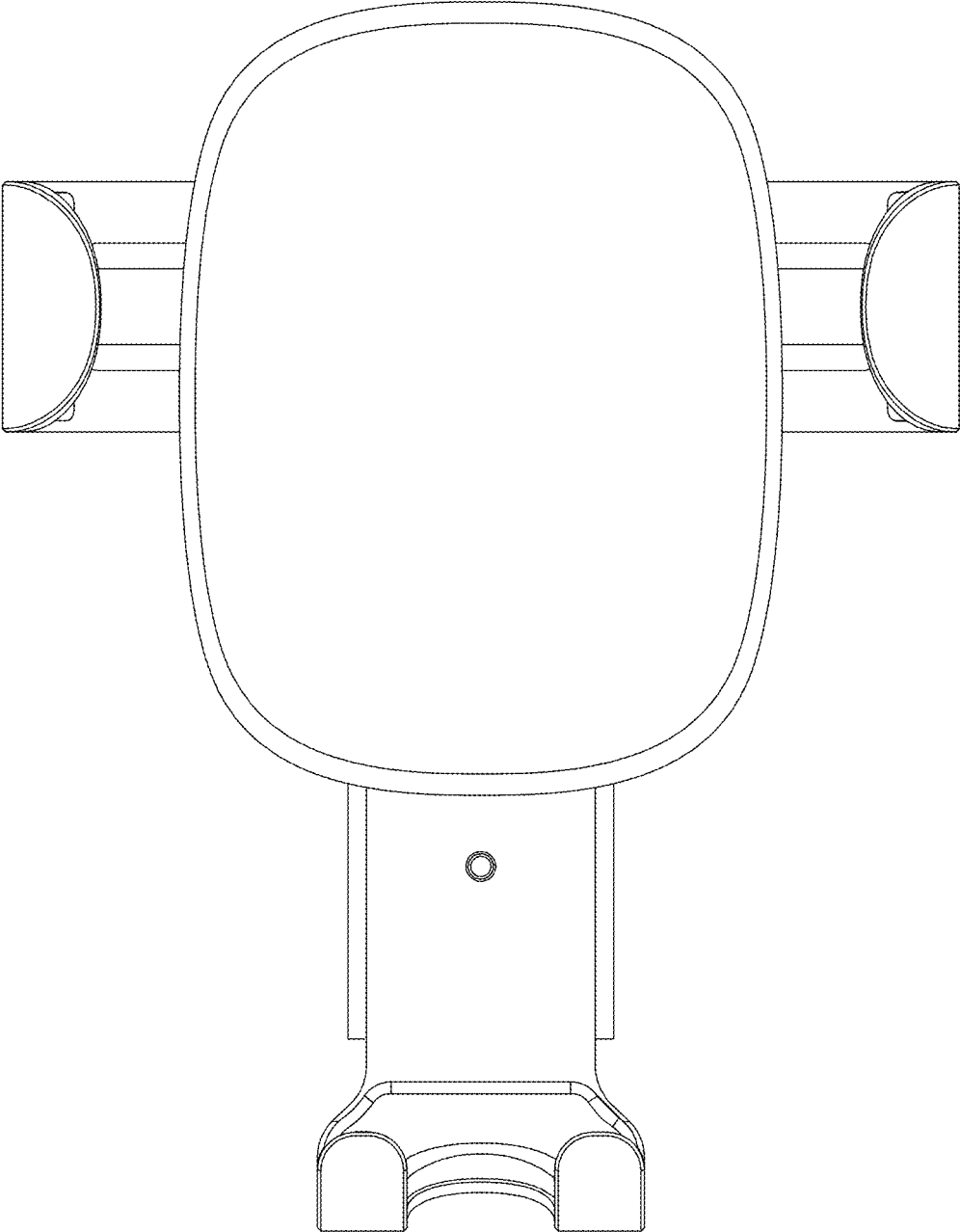


Fig. 3

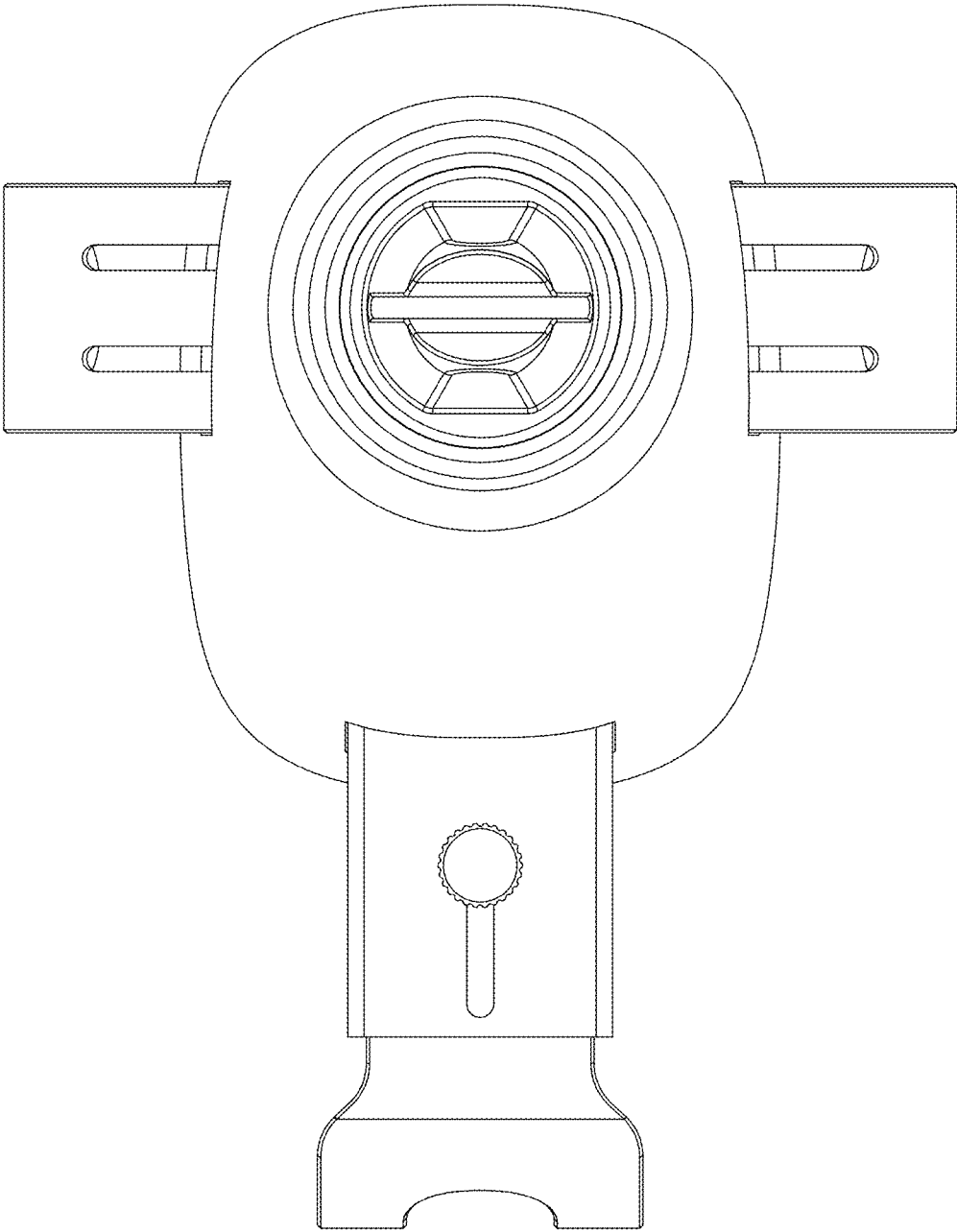


Fig. 4

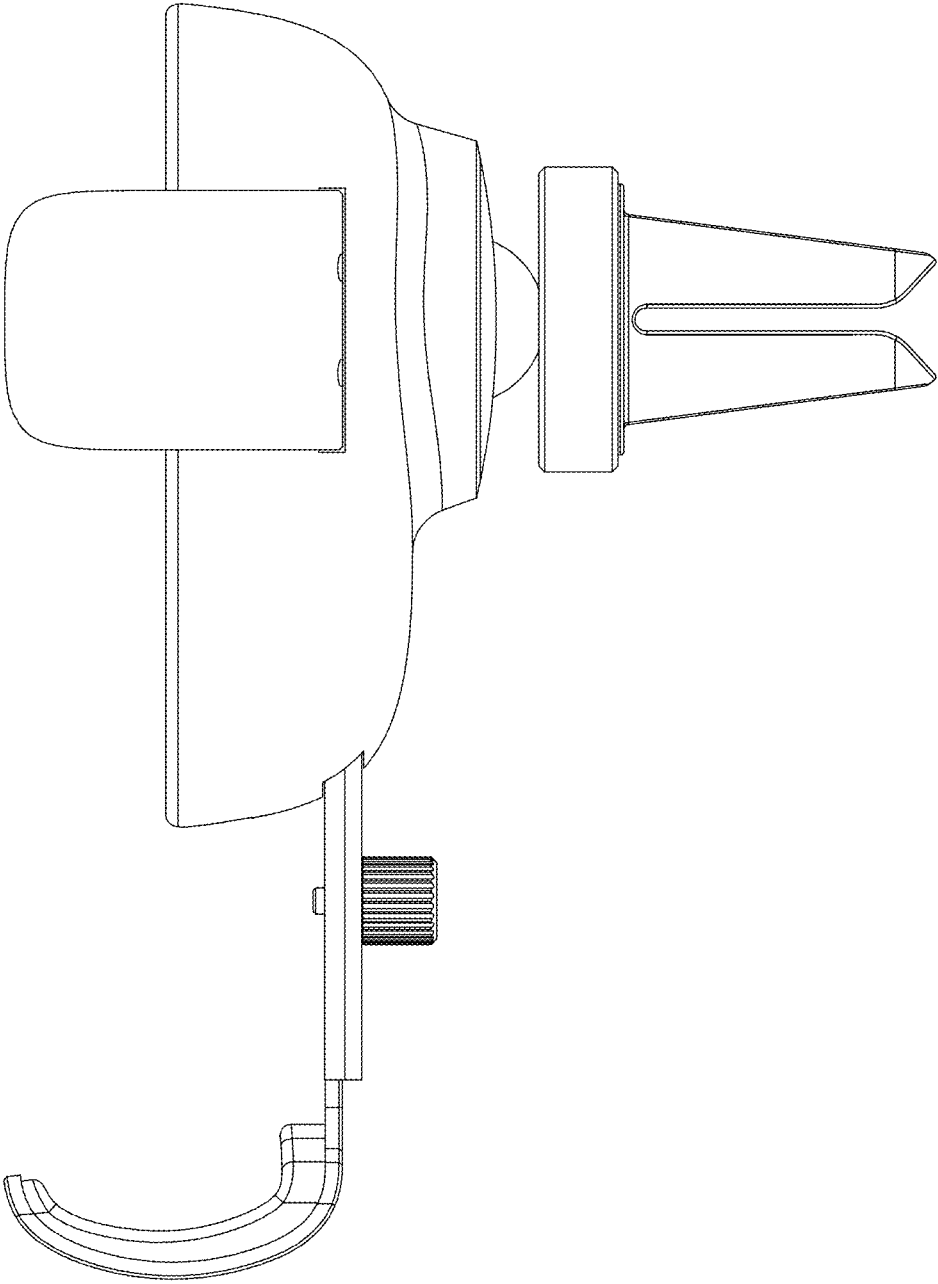


Fig. 5

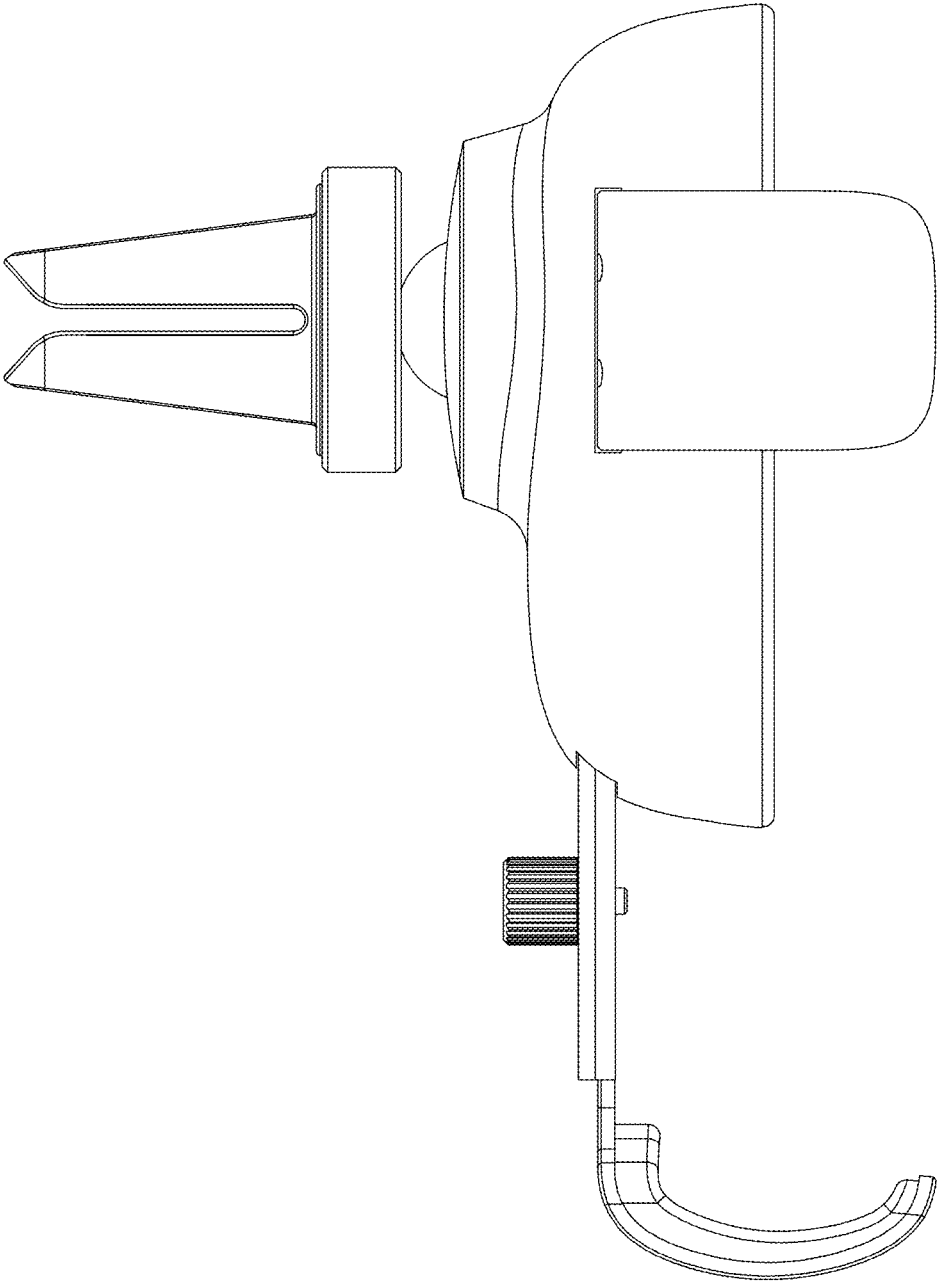


Fig. 6

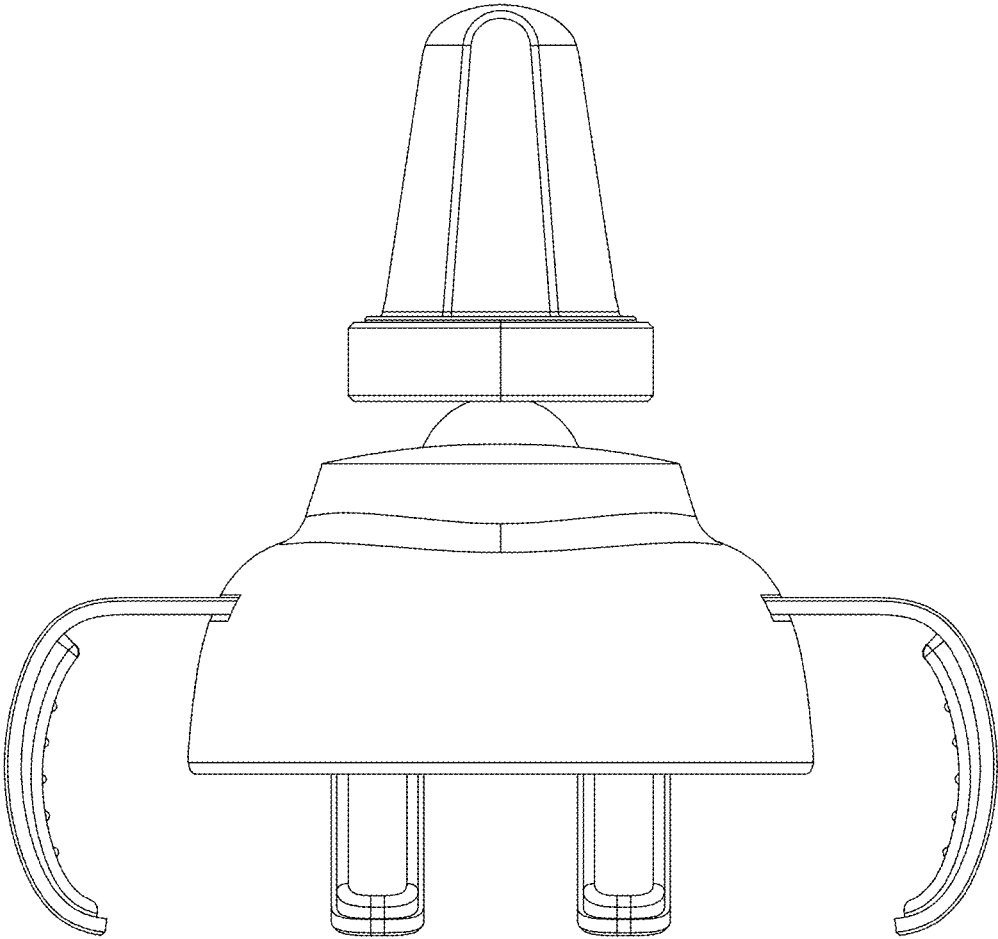


Fig. 7

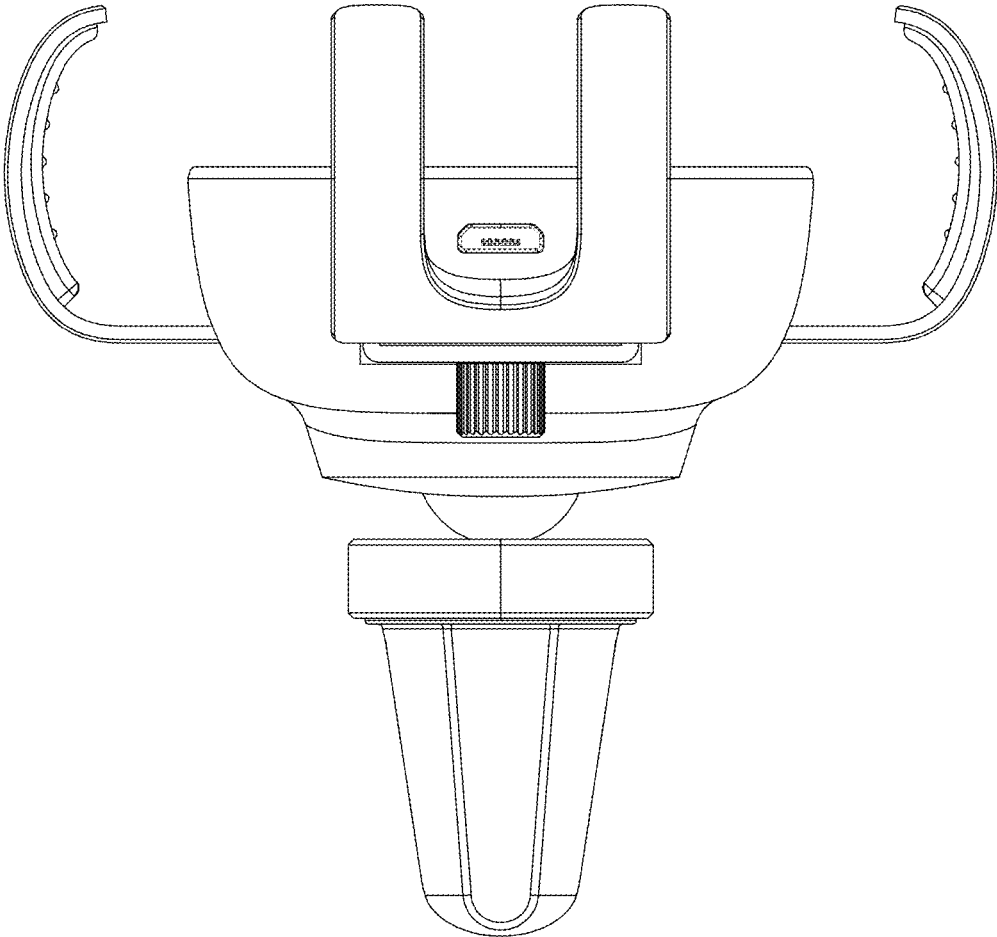


Fig. 8