

[54] TEST TUBE RACK

[75] Inventors: Michael Frangiosa, Chaddsford, Pa.;
William McMichael, Haddon Heights, N.J.

[73] Assignee: American Hospital Supply Corporation

[**] Term: 14 Years

[21] Appl. No.: 773,981

[22] Filed: Mar. 3, 1977

[51] Int. Cl. D6-04; D24-02

[52] U.S. Cl. D24/32; D6/85

[58] Field of Search 211/72, 73, 74; D24/32, D24/31; D6/85

[56] References Cited

U.S. PATENT DOCUMENTS

D. 208,192	8/1967	Seymour	D24/32
D. 223,758	6/1972	Berg	D24/31
D. 240,239	6/1976	Calandrino	D24/31
3,379,315	4/1968	Broadwin	211/74 X
3,390,783	7/1968	Quackenbush, Jr.	211/73
3,751,172	8/1973	Seitz	211/73 X

Primary Examiner—Bernard Ansher
Attorney, Agent, or Firm—Y. Judd Azulay

[57] CLAIM

The ornamental design for a test tube rack, as shown and described.

DESCRIPTION

FIG. 1 is a perspective view of the test tube rack incorporating the teaching of the present invention; FIG. 2 is a top plan view of one embodiment of the test tube rack; FIG. 3 is a front view of the test tube rack; FIG. 4 is a side elevational view of the test tube rack; FIG. 5 is a rear view of the test tube rack.

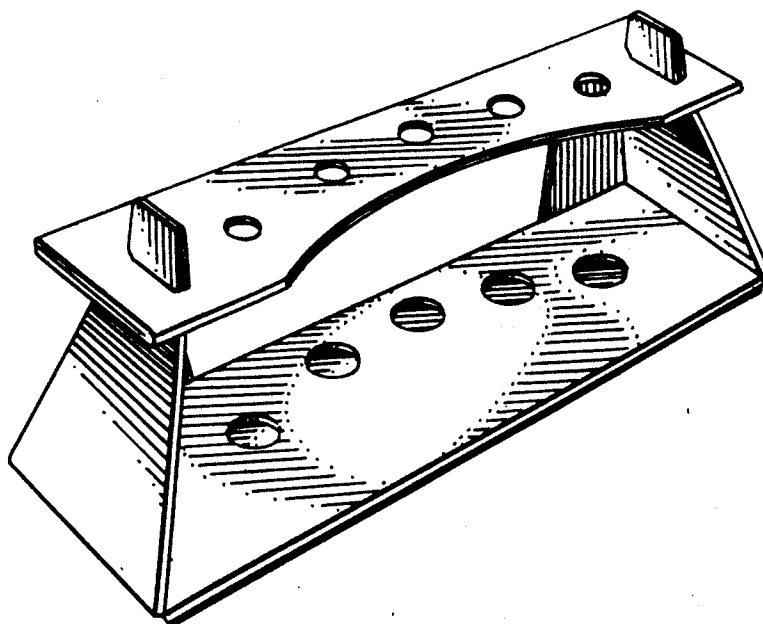


FIG. 1

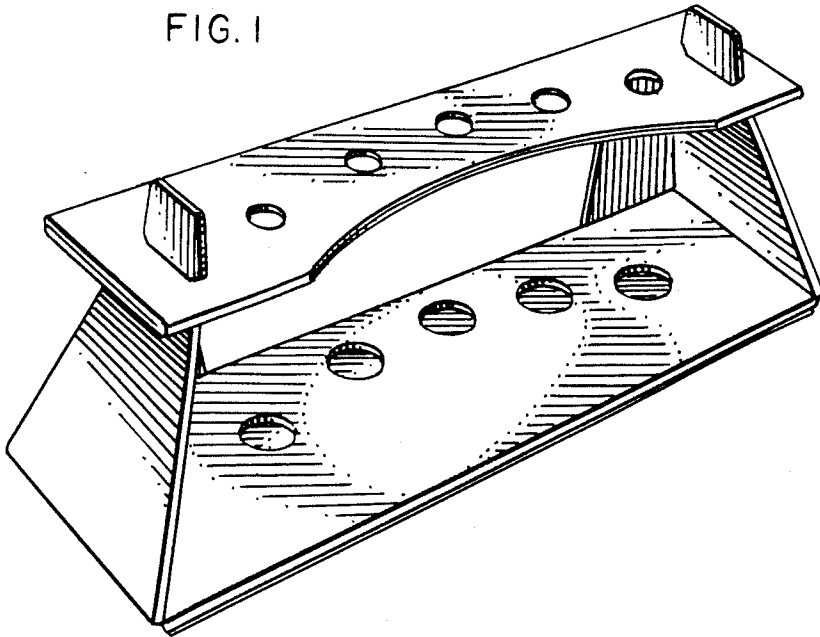


FIG. 2

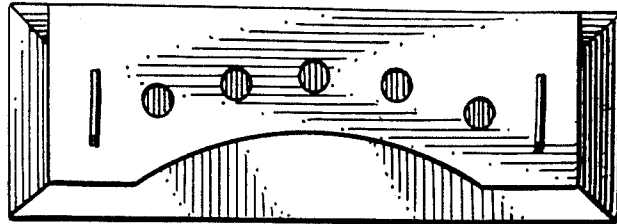


FIG. 4

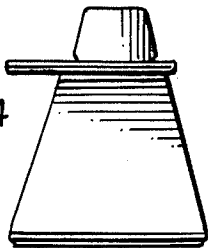


FIG. 3

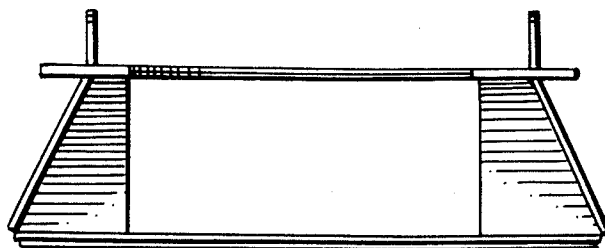


FIG. 5

