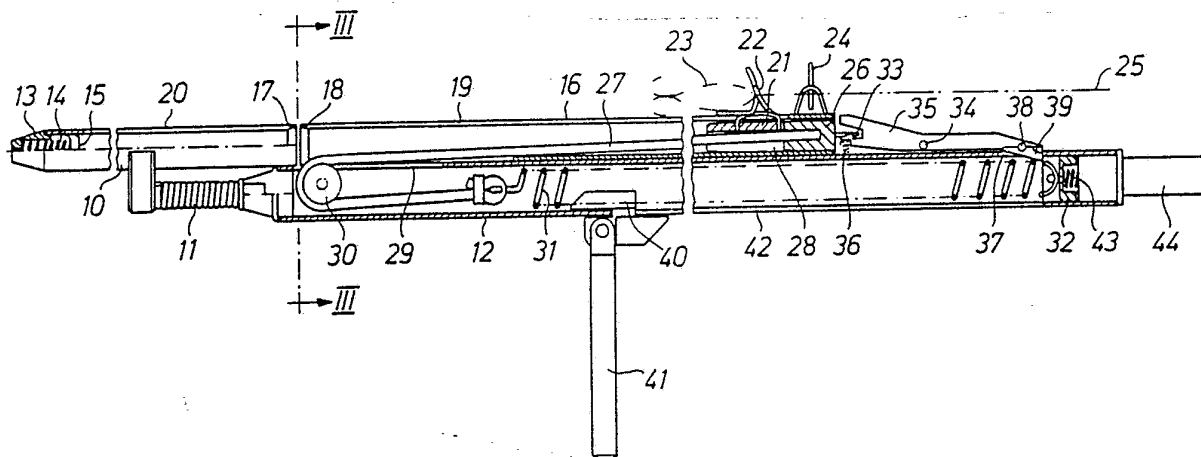




INTERNATIONAL APPLICATION PUBLISHED UNDER THE PATENT COOPERATION TREATY (PCT)

<p>(51) International Patent Classification³ : A01K 91/02</p>	<p>A1</p>	<p>(11) International Publication Number: WO 84/ 03022 (43) International Publication Date: 16 August 1984 (16.08.84)</p>
<p>(21) International Application Number: PCT/SE84/00043 (22) International Filing Date: 9 February 1984 (09.02.84) (31) Priority Application Number: 8300669-2 (32) Priority Date: 9 February 1983 (09.02.83) (33) Priority Country: SE (71)(72) Applicant and Inventor: ÅKERBERG, Magnus, Wilhelm [SE/SE]; Storgatan 77, S-576 00 Vetlanda (SE). (74) Agents: STRÖM, Tore et al.; Ström & Gulliksson AB, Rundelsgatan 14, S-211 36 Malmö (SE). (81) Designated States: AT (European patent), BE (European patent), CH (European patent), DE, DE (Auxiliary utility model), DE (European patent), FR (European patent), GB, GB (European patent), JP, LU (European patent), NL (European patent), SE (European patent), US.</p>		<p>Published <i>With international search report.</i> <i>In English translation (filed in Swedish).</i></p>

(54) Title: FISHING DEVICE



(57) Abstract

Fishing device, comprising a rod (10, 16) which forms a guide for a carriage (21) displaceable along the rod, which has means (22) for carrying along a bite (23) on a line (25) running out from a coiling or spinning reel (61). The fishing device also comprises projecting means (26, 27, 31) for chocklike displacement of the carriage from the rear end of the guide towards an abutment (15) arranged at the free end of the rod, while the bite is being projected from the carriage, stopped by the abutment, and the line being withdrawn from the coiling or spinning reel. The projecting means include a rubber cord (27), which is attached to a driving slide (26) displaceable in the guide, which can be arrested by means of holding means (33, 35) at the rear end of the rod with the rubber cord stretched between the driving slide and a point (30) between the ends of the rod, the holding means being releasable for disengagement of the driving slide, the carriage being driven by the spring bias of the rubber cord.

FOR THE PURPOSES OF INFORMATION ONLY

Codes used to identify States party to the PCT on the front pages of pamphlets publishing international applications under the PCT.

AT	Austria	KR	Republic of Korea
AU	Australia	LI	Liechtenstein
BE	Belgium	LK	Sri Lanka
BG	Bulgaria	LU	Luxembourg
BR	Brazil	MC	Monaco
CF	Central African Republic	MG	Madagascar
CG	Congo	MR	Mauritania
CH	Switzerland	MW	Malawi
CM	Cameroon	NL	Netherlands
DE	Germany, Federal Republic of	NO	Norway
DK	Denmark	RO	Romania
FI	Finland	SD	Sudan
FR	France	SE	Sweden
GA	Gabon	SN	Senegal
GB	United Kingdom	SU	Soviet Union
HU	Hungary	TD	Chad
JP	Japan	TG	Togo
KP	Democratic People's Republic of Korea	US	United States of America

FISHING DEVICE

The invention relates to a fishing device comprising a rod with a coiling or spinning reel and with a guide extending along the rod, and a driving slide guided by the guide, for carrying along a bite on a line running out from the coiling or spinning reel, and projecting means with a rubber cord secured to the driving slide, said cord being stretched between the driving slide and a point spaced in front of the rear end of the guide, when the driving slide is displaced to the rear end of the guide where the driving slide can be arrested by holding means, for chocklike displacement of the driving slide by means of the stretched rubber cord from the rear end of the guide towards said point when the driving slide is released from the holding means, the bite being projected and the line being withdrawn from the coiling or spinning reel.

A fishing device of this type is described in US-A-2,849,824.

The purpose of the invention is to develop further and improve the fishing device described therein to provide a fishing device of the kind referred to, which has projecting means more effective considering the size thereof, which can be integrated easily with the bar proper in a slender embodiment so that the fishing device generally has the appearance of a conventional casting or spinning rod and can be handled as such a rod, the fishing device of the invention also being well suited for power drive with regard to the operation of the coiling or spinning reel and also with regard to the operation of the projecting means.

For said object the fishing device of the invention has obtained the characteristics appearing from claim 1, and in order to explain more clearly the invention this



will be described in more detail below, reference being made to the accompanying drawings showing a fishing device of the invention, comprising two main portions, wherein

5 FIG. 1 is an axial sectional view of one portion comprising the bar proper and the projecting means, FIG. 2 is a half side view and a half axial sectional view of the other portion comprising a handle and a coiling reel with power drive,
10 FIG. 3 is an enlarged cross-sectional view taken along line III - III in FIG. 1, and
 FIG. 4 is a fragmentary axial sectional view, partly a side view, of a modified embodiment of an operating device for the projecting means.

15 The two main portions of the fishing device of the invention, shown in FIG. 1 and FIG. 2, respectively, are to be interconnected axially aligned in the complete fishing device as will be described later on. One main portion shown in FIG. 1 and also in FIG. 3 will first
20 be described in detail.

 The main portion of FIGS. 1 and 3 comprises a tubular rod 10 which is supported by means of a heavy spring 11 on a spring housing 12 forming part of the projecting means. The rod can have substantially the
25 same length as a conventional casting or spinning rod and can yield elastically when loaded due to the elastic support. At the free end thereof the rod is closed by a plug 13 receiving a helical spring 14 for an abutment
30 15 which is displaceable axially. At the rear end, the tubular rod connects to a socket 16 having substantially the same outer and inner diameters as the rod, and this socket is connected on top of the spring housing 12
 axially aligned with the rod. At the ends of the rod and the socket, facing each other, there is an inner chamfer
35 17 and 18, respectively, and these ends are somewhat



spaced to allow elastic deflection of the rod in relation to the socket. A longitudinal slot 19 on top of the socket 16 connects to a longitudinal slot 20 on top of the tubular rod. A carriage 21 is freely
5 displaceable in the socket 16 and the rod 10 and has a wire carrier 22 projecting through the slot 16 and the slot 20, respectively. This carrier is formed to receive a bite which is diagrammatically indicated by dot-and-dash lines 23, a fishing line to which the
10 bite is attached, extending through the carrier 22 and a line guide 24, also of wire, mounted on top of the socket, as is indicated by a dot-and-dash line 25, representing the fishing line.

Inside the socket 16 and the rod 10, also a slide
15 26 is displaceably guided, which is located behind the carriage 21. A rubber cord 27 is connected to the slide and extends through a groove 28 in the lower side of the carriage 21 located in front of the slide 26. The rubber cord is extended through a slot 29 into the spring
20 housing where it is extended around a pulley 30 rotatably mounted in the spring housing, to be connected at the other end thereof to one end of a helical tension spring 31, the other end of which is connected to a piston 32 axially displaceable in the spring housing. The slide
25 26 has a tongue 33 projecting backwards for engagement with a latch 35 pivotally mounted on top of the spring housing 12 at 34, said latch being kept engaged with the tongue 33 by means of a compression spring 36 to be disengaged from the tongue by depression of the latch manually against
30 the bias of the spring 36. In a slot 37 in the spring housing, a clasp 39 is pivotally mounted at 38, by means of which the piston 32 can be maintained in the rear position shown against the bias of the stretched tension spring 31. A carrier 40 provided with a handle 41, is
35 displaceable axially along the spring housing 12 in a

slot 42 for stretching the tension spring. By means of this carrier the piston 32 can be carried along towards the rear end for stretching the tension spring 31 when the slide 26 is retained by means of the latch 35 engaging the tongue 33 under the bias of the spring 36. At the rear end of the spring guide, the clasp 39 then will be pushed away to engage later in front of the piston 32 and retain the piston in the position shown. A release spring 43 for the piston is arranged in the rear end of the spring housing.

When the tension spring 31 and also the rubber cord 27 have been stretched in the manner described and the slide 26 is released by depression of the latch 35 against the bias of the spring 36, the slide will be drawn energetically to the left as seen in FIG. 1 and then will carry along the carriage 21 in the movement thereof through the socket 16. The bite 23 will be moved together with the carriage 21 by the carrier 22 while the fishing line 25 is being withdrawn. When the slide 26 reaches the region at the pulley 30 at the front end of the tube 16, the slide will be retarded but the carriage 21 can continue into the tubular rod 10 by the inertia imparted to the carriage, and the carriage will move axially through the bar 10 towards the front end thereof where the carriage will be retarded by the abutment 15 biased by the spring 14. The bite 23, however, will continue the movement thereof due to inertia and will be projected from the bar, carrying the fishing line 25 along.

The advantage of the projecting means for the bite 23, shown and described and comprising the rubber cord 27 as well as the helical tension spring 31, is that the projecting means can be given small dimensions and can be made compact such that it can be easily integrated into the fishing device, a large driving force on the carriage 21 at the same time being obtained, which in turn provides

a large casting length.

When the projection has taken place preparation for a new projection is made by releasing the piston 32, the slide 26 then being retained in the rear end position thereof by means of the latch 35. Then, the tension spring 31 is stretched by moving the piston 32 by means of the carrier 40 to the rear end position thereof and locking the piston in this position by means of the clasp 39.

The main portion of the fishing device of the invention, shown in FIGS. 1 and 3, has at the rear end of the spring housing 12 a pin 44 forming one part of a bayonet coupling, the other part of which comprises a socket 45, which can be passed onto the pin 44 and is arranged at the front end of the other main portion of the fishing device of the invention, which is shown in FIG. 2 and now will be described in more detail.

The socket 45 is formed at one end of a motor housing 46 and is provided with a compression spring 47 at the bottom thereof, against which the pin 44 can be engaged and which by the pressure thereof maintains the bayonet engagement between the coupling elements 44 and 45. By means of another bayonet coupling 48 the motor housing is detachably connected with a battery housing 49, arranged as a handle on the fishing device, which is provided on the outside thereof with a grip winding 50 and has at the end a support knob 51 arranged as an end wall. The battery housing receives a suitable number of conventional torque batteries 52 which are connected, by connections not shown in detail herein, to two contact pins one of which is shown at 53. These contact pins are attached to an insulating end wall 54 in the battery housing and are adapted to co-operate with contact pins in the motor housing, one of which is shown at 55. These latter contact pins are displaceably mounted in an insulating wall 56 in the motor housing and are biased by a spring 57 to be kept engaged with their associated contact pins 53 against the spring bias when the battery housing 50 is connected to the motor

housing 46. The contact pins 55 are connected in a manner not shown in detail herein, via an electric switch 58 to an electric drive motor 59 arranged in the motor housing 46 for operating a coiling reel 61 attached on top of the motor housing by means of screws 60. This reel can be of a conventional construction and it can also be replaced by a spinning reel, but irrespective of the reel being of one type or the other, it is modified for power operation in the manner to be described later. The coiling reel 61 is for the purpose of retracting the fishing line 25 which is indicated also in FIG. 2 by a dot-and-dash line. The coiling reel has a crank 62 for manual operation and a push button 63 for engaging the reel in the conventional manner.

The motor 59 is connected with the input shaft of an epicyclic gear 64 the output shaft of which is connected to a pinion 65 via an overload clutch. This clutch can comprise a cross pin in the output shaft of the epicyclic gear, the pin being received by corresponding milled grooves in the pinion 65. By means of a compression spring 66 which is engaged between a rotatable and axially displaceable disc 67 in the motor housing and an axial ball bearing 68 transmitting the pressure of the compression spring 66 to the pinion 65, said pinion is being pressed against the cross pin in the output shaft of the epicyclic gear, which is received by said grooves. The grooves are chamfered at one side such that the cross pin can disengage the grooves in the driving direction of the motor 59 if the resistance against rotation of the pinion should increase over a certain value, by the pinion being pushed aside by the cross pin against the bias of the spring 66. The spring bias can be adjusted by means of a ring 69 which is rotatable and

axially displaceable on the outside of the motor housing. By means of a pin 70 the ring engages into the disc 67, the pin 70 being displaceable in a slot in the motor housing 46, which forms an angle of 45° with the axial direction of the motor housing. By the ring 69 being rotated the ring is displaced guided by the oblique slot such that an axial movement at the same time is imparted to the ring, such movement being transmitted to the disc 67 to increase or decrease the bias of the spring 66.

For transmitting the driving force from the pinion 65 to the reel shaft 71 of the coiling reel a toothed belt 72 is engaged with the pinion 65 and a gear wheel 73 rotatably mounted to the reel shaft. This gear wheel is connected by means of a ratchet clutch to a gear wheel 74 fixedly mounted to the reel shaft 71. The reel clutch comprises a tooth on the gear wheel 73, which is obliquely chamfered in one rotational direction and is adapted to be received by a groove in the gear wheel 74 and to be maintained in this groove by a compression spring 75 engaged between the gear wheel 73 which is not only rotatable but also axially displaceable on the roller shaft 71, and a shaft bearing 76. The tooth is chamfered in such a way that it will be kept engaged with the groove in the gear wheel 74, when the gear wheel 73 is driven from the motor 59 over the transmission described, but allows that the gear wheel 74 is rotated in relation to the gear wheel 73 in the same direction as that in which the gear wheel 73 is driven by the motor, by the reel shaft 51 being driven manually from the crank 62. Thus, it is possible to operate the coiling reel 61 manually without this being impeded by the motor 59 and the transmission thereof, which may be actualized if the force in the fishing line increases to such value that

the ratchet clutch between the output shaft of the epicyclic gear 64 and the pinion 65 slips. When the fishing line is retracted by means of the crank 62 it is desired that the gear wheel 73, the toothed belt 5 72, the pinion 65 and the motor 59 will not be rotated, and this is avoided by the ratchet clutch between the gear wheels 73 and 74 being put into operation and disengages the gear wheel 74 from the gear wheel 73. However, the retraction of the fishing 10 line normally should take place by connecting the motor 59 via the switch 58, the motor being energized from the batteries 52 to drive the coiling reel 61.

It is obvious that the transmission between the motor 59 and the coiling reel 61 can be arranged in 15 another manner than that described herein and this is true particularly as far as the overload and ratchet clutches are concerned, which can be of another known construction than that described herein.

The latch 35 can be actuated electrically by 20 means of a solenoid which is energized from the batteries 52 via a switch arranged on the main portion in FIG. 2. Also the spring 31 can be stretched by means of a motor, e.g. by the carrier 40 being driven by a screw spindle extending along the spring housing 42 and connected to 25 the motor 59 or to a separate motor. It is also conceivable to arrange the screw spindle so as to be rotated manually. A further modification of the stretching means is conceivable and is shown in FIG. 4.

According to FIG. 4, the carrier 40 is connected 30 at 78 by means of a link 77 to a lever 79 which is mounted to the spring housing 12 at 80. The lever is provided with a handle 81. When the lever is swung downwards in counter-clockwise direction from the position shown, the carrier 40 will be displaced to the right as 35 is indicated in FIG. 4 by the lever and the link being

9

shown by dot-and-dash lines in an intermediate position. This stretching means of the pneumatic gun type makes possible that a large stretching force is imparted to the spring.

5 The fishing device described will be easily and conveniently handled by electric operation of the coiling reel 61 as well as the stretching means of the spring 31, but in the simplest embodiment the fishing
10 device can be constructed with the simple stretching means of FIG. 1 and be provided with a handle on which a manually operated coiling or spinning reel is mounted, which lacks completely the electric driving means described herein.

15



CLAIMS

1. Fishing device comprising a rod (10, 16) with a coiling or spinning reel (61) and with a guide extending along the rod, and a driving slide (26) guided by the guide, for carrying along a bite (23) on a line (25) running out from the coiling or spinning reel, and projecting means (26, 27, 31) with a rubber cord (27) secured to the driving slide, said cord being stretched between the driving slide and a point (30) spaced in front of the rear end of the guide, when the driving slide is displaced to the rear end of the guide where the driving slide can be arrested by holding means (33, 35), for chocklike displacement of the driving slide by means of the stretched rubber cord from the rear end of the guide towards said point when the driving slide is released from the holding means, the bite being projected and the line being withdrawn from the coiling or spinning reel, characterized in that the guide is arranged in the rod (10, 16) proper with said point (30) located between the ends of the guide and that a carriage (21) for supporting the bite (23) is arranged as a separate element displaceable in the guide, to be carried along in front of the driving slide (26) at the displacement thereof under the bias of the stretched rubber cord (27) and to continue by inertia towards an abutment (15) arranged at the free end of the rod, at termination of the movement of the driving slide at said point.

2. Fishing device as claimed in claim 1, characterized in that the rod (10, 16) is tubular and that the carriage (21) and the driving slide (26) are displaceable through the tube which forms a longitudinal slot (19, 20) for receiving the carrier (22) projecting from the carriage.

3. Fishing device as claimed in claim 2, characterized in that the rod comprises a

front portion (10) and a rear portion (16), the front portion of which can be angled in relation to the rear portion against spring bias (11).

4. Fishing device as claimed in claim 1,
5 c h a r a c t e r i z e d in that the rubber cord (27) at said point is extended around a pulley (30) and is connected to one end of a tension spring (31) arranged substantially in parallel to the rod (10, 16).

5. Fishing device as claimed in claim 4,
10 c h a r a c t e r i z e d in that the tension spring (31) at the other end thereof is connected to an anchoring element (32) displaceably guided which can be arrested in a position with the spring stretched.

6. Fishing device as claimed in claim 5,
15 c h a r a c t e r i z e d in that the anchoring element (32) is displaceable in a spring housing (12) for receiving the tension spring (31), which is arranged substantially in parallel to the rod (10, 16) and is connected to the rear portion (16) thereof.

20 7. Fishing device as claimed in claim 5 or 6, c h a r a c t e r i z e d in that means (40) are provided for displacing the anchoring element (32) while the spring (31) is being stretched.

8. Fishing device as claimed in claim 1,
25 c h a r a c t e r i z e d in that a handle (46, 49) with a coiling or spinning reel (61) for receiving the line (25) is detachably connected to the rod (10, 16).

9. Fishing device as claimed in claim 8,
30 c h a r a c t e r i z e d in that the handle comprises a motor housing (46) with an electric drive motor (59) operatively connected to the coiling or spinning reel (61), and a battery housing (49) detachably connected to the motor housing, for receiving electric batteries (52).

35

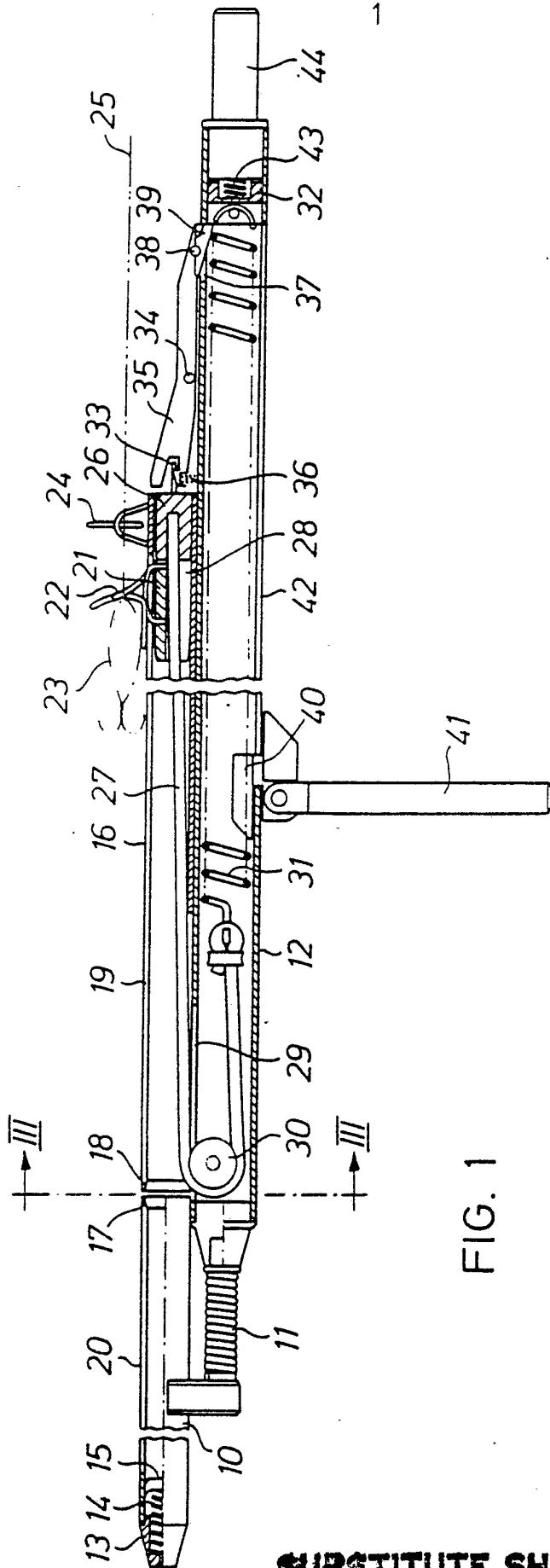


FIG. 1

SUBSTITUTE SHEET



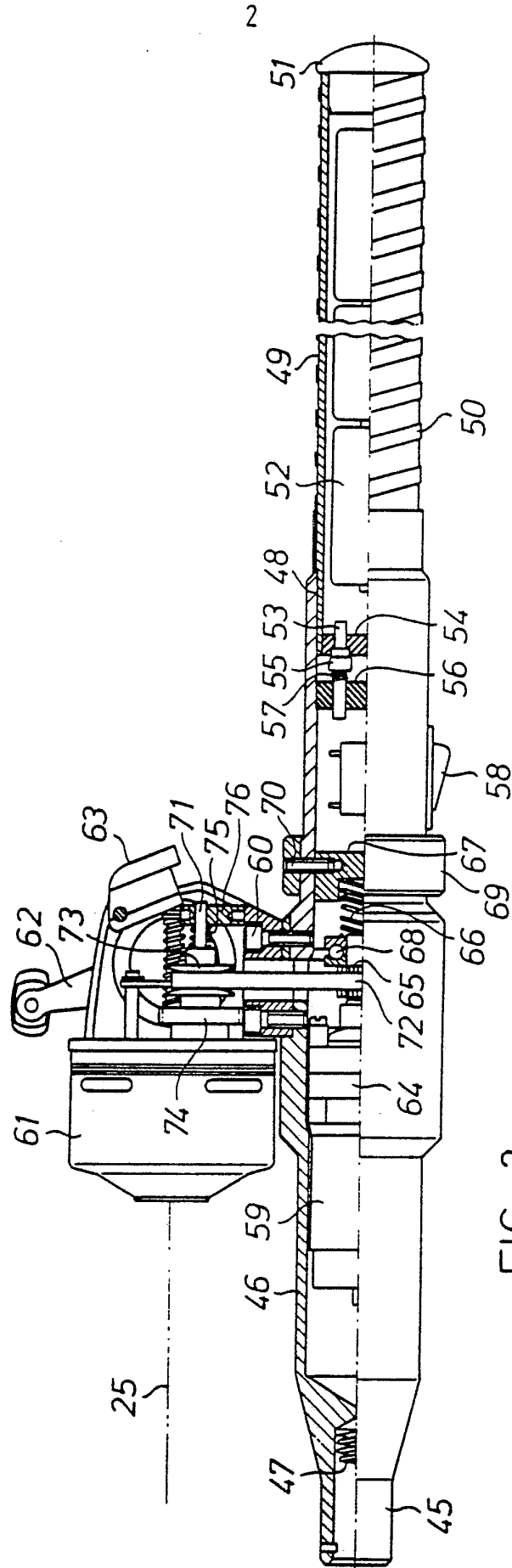
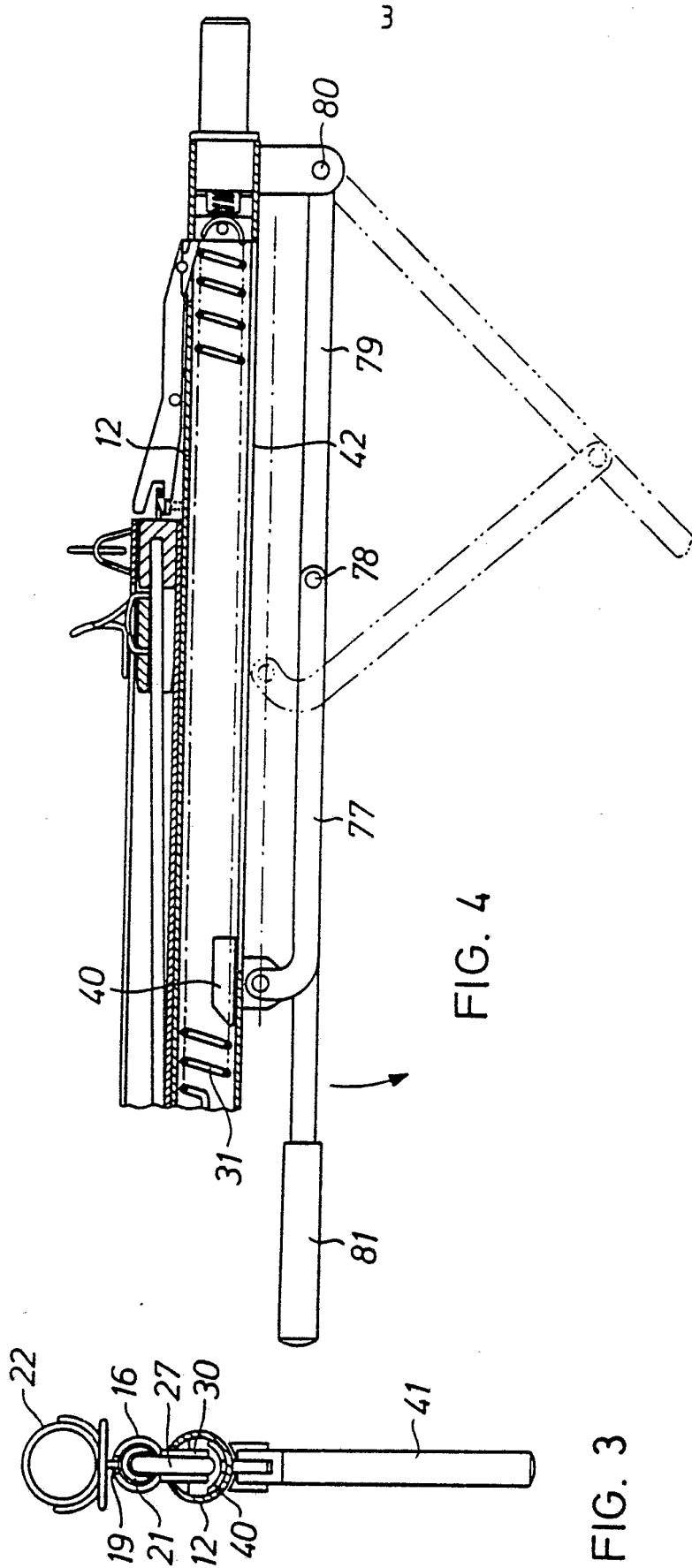


FIG. 2






SUBSTITUTE SHEET



INTERNATIONAL SEARCH REPORT

International Application No PCT/SE84/00043

I. CLASSIFICATION OF SUBJECT MATTER (if several classification symbols apply, indicate all) ³		
According to International Patent Classification (IPC) or to both National Classification and IPC ³		
A 01 K 91/02		
II. FIELDS SEARCHED		
Minimum Documentation Searched ⁴		
Classification System	Classification Symbols	
IPC 3 US C1	A 01 K 91/00, 91/02 <u>43</u> : 19	
Documentation Searched other than Minimum Documentation to the Extent that such Documents are included in the Fields Searched ⁵		
SE, NO, DK, FI classes as above		
III. DOCUMENTS CONSIDERED TO BE RELEVANT ¹⁴		
Category ⁶	Citation of Document , ¹⁵ with indication, where appropriate, of the relevant passages ¹⁷	Relevant to Claim No. ¹⁸
A	SE, B, 372 873 (O.B. PERTELIUS) 20 January 1975	
Y	US, A, 2 849 824 (R.P. MacGEE) 2 September 1958	
Y	US, A, 4 040 198 (SKIBO) 9 August 1977	
<p>⁶ Special categories of cited documents: ¹⁵</p> <p>"A" document defining the general state of the art which is not considered to be of particular relevance</p> <p>"E" earlier document but published on or after the international filing date</p> <p>"L" document which may throw doubts on priority claim(s) or which is cited to establish the publication date of another citation or other special reason (as specified)</p> <p>"O" document referring to an oral disclosure, use, exhibition or other means</p> <p>"P" document published prior to the international filing date but later than the priority date claimed</p> <p>"T" later document published after the international filing date or priority date and not in conflict with the application but cited to understand the principle or theory underlying the invention</p> <p>"X" document of particular relevance; the claimed invention cannot be considered novel or cannot be considered to involve an inventive step</p> <p>"Y" document of particular relevance; the claimed invention cannot be considered to involve an inventive step when the document is combined with one or more other such documents, such combination being obvious to a person skilled in the art.</p> <p>"&" document member of the same patent family</p>		
IV. CERTIFICATION		
Date of the Actual Completion of the International Search ¹	Date of Mailing of this International Search Report ²	
1984-04-12	1984-04-27	
International Searching Authority ¹	Signature of Authorized Officer ¹⁹	
Swedish Patent Office	 Jack Hedlund	

K.L.