



- (51) **International Patent Classification:**
A45D 8/20 (2006.01)
- (21) **International Application Number:**
PCT/IB2013/002696
- (22) **International Filing Date:**
5 December 2013 (05.12.2013)
- (25) **Filing Language:** Italian
- (26) **Publication Language:** English
- (30) **Priority Data:**
BA2012U000067 21 December 2012 (21.12.2012) IT
- (72) **Inventor; and**
- (71) **Applicant : ORLANDO, Sante** [IT/IT]; Corso della Carboneria, 43, I-70123 BARI (IT).
- (74) **Agent: RUSSO, Dimitri;** c/o Dimitri Russo S.r.l., Via G. Bozzi, 47A, I-70121 Bari (IT).
- (81) **Designated States** (unless otherwise indicated, for every kind of national protection available): AE, AG, AL, AM, AO, AT, AU, AZ, BA, BB, BG, BH, BN, BR, BW, BY, BZ, CA, CH, CL, CN, CO, CR, CU, CZ, DE, DK, DM, DO, DZ, EC, EE, EG, ES, FI, GB, GD, GE, GH, GM, GT,

HN, HR, HU, ID, IL, IN, IR, IS, JP, KE, KG, KN, KP, KR, KZ, LA, LC, LK, LR, LS, LT, LU, LY, MA, MD, ME, MG, MK, MN, MW, MX, MY, MZ, NA, NG, NI, NO, NZ, OM, PA, PE, PG, PH, PL, PT, QA, RO, RS, RU, RW, SA, SC, SD, SE, SG, SK, SL, SM, ST, SV, SY, TH, TJ, TM, TN, TR, TT, TZ, UA, UG, US, UZ, VC, VN, ZA, ZM, ZW.

(84) **Designated States** (unless otherwise indicated, for every kind of regional protection available): ARIPO (BW, GH, GM, KE, LR, LS, MW, MZ, NA, RW, SD, SL, SZ, TZ, UG, ZM, ZW), Eurasian (AM, AZ, BY, KG, KZ, RU, TJ, TM), European (AL, AT, BE, BG, CH, CY, CZ, DE, DK, EE, ES, FI, FR, GB, GR, HR, HU, IE, IS, IT, LT, LU, LV, MC, MK, MT, NL, NO, PL, PT, RO, RS, SE, SI, SK, SM, TR), OAPI (BF, BJ, CF, CG, CI, CM, GA, GN, GQ, GW, KM, ML, MR, NE, SN, TD, TG).

Declarations under Rule 4.17:

— of inventorship (Rule 4.17(iv))

Published:

- with international search report (Art. 21(3))
— with amended claims (Art. 19(1))

(54) **Title:** HAIRGRIP

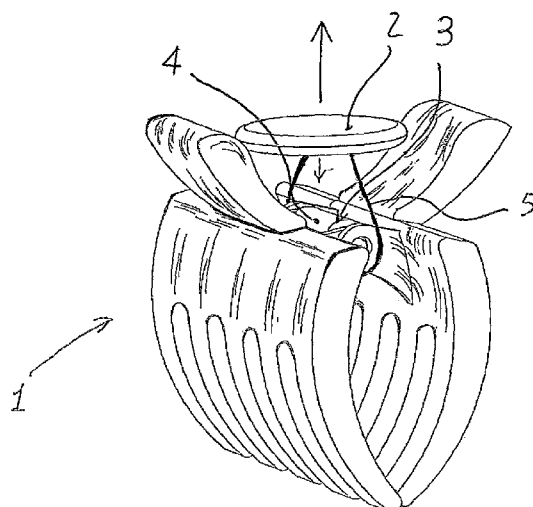


Fig.1

(57) **Abstract:** The invention relates to a hairgrip with a decorative element positioned close to the spring so as to conceal it. Said decorative element, being fastened to the hairgrip through an elastic element, has the possibility to elastically displace from its seat so as not to interfere with the opening and closing movements of the hairgrip itself.

DESCRIPTION

HAIRGRIP

The present model relates to a hairgrip.

As it is known, a hairgrip is formed of two plastic elements comprising a series of interconnected prongs between which a small spring is placed, close to the kingpin. Thanks to a lever mechanism, when the two elements are tightened at the upper part of the hairgrip, the lower ends open allowing the insertion of a certain amount of hair inside the hairgrip; when the upper part of the two elements is released, the lower ends close providing the necessary force to hold the hair in a fixed position.

As mentioned, the element that allows the hairgrip to work is the spring positioned close to the kingpin of the hairgrip, even though its placement in that location has the drawback to negatively affect the aesthetics of the hairgrip since the spring remains visible.

Objective of the present invention is to provide a hairgrip of particular aesthetic value and, in particular, a hairgrip whose spring is made invisible by a decorative element, without compromising its functionality.

A preferred embodiment of the hairgrip according to the present invention is described here with the aid of the drawings that illustrate:

Figure 1, an orthogonal projection of a hairgrip according to the present invention in which the decorative element covering the spring is separated from the same spring;

Figure 2, an orthogonal projection in which the decorative element is positioned in such a way to cover the spring by means of an elastic band;

Figure 3, an orthogonal projection of a hairgrip according to the present invention in which the decorative element covering the spring is connected to the same spring through a coil spring.

The hairgrip 1 according to the present invention, as illustrated in a preferred embodiment in the accompanying drawing, comprises a decorative element 2 such as a button, elastically engaged with the hairgrip spring 4.

The elastic element can be of any type but, in a preferred embodiment, this can be an elastic band 5 or a coil spring 6.

The decorative element 2 does not interfere with the functionality of the hairgrip since it is connected via an elastic element 5, 6 which allows its displacement from its seat 3 when the hairgrip is open.

CLAIMS

1. Hairgrip characterized in that a decorative element (2) is placed close to its kingpin, said decorative element (2) being joined to said hairgrip (1) by means of an elastic element (5, 6).
2. Hairgrip according to claim 1, characterized in that the elastic element can be an elastic band (5), a coil spring (6) or any other device able to extend.
3. Hairgrip according previous claims, characterized in that the elastic element (5, 6) is fastened to the spring (4) of the hairgrip (1).
4. Hairgrip according to claims 1 and 2, characterized in that the elastic element (5, 6) may be joined to the hairgrip (1) in a different place than the spring (4).
5. Hairgrip according previous claims, characterized in that the decorative element (2) can be of any material, shape and it can comprise one or more decorations.
6. Hairgrip according previous claims, characterized in that the opening of the hairgrip (1) determines the displacement of the decorative element (2) from its seat (3), and in that the closing of the hairgrip (1) determines the replacement of the same decorative element (2) in its place (3).

AMENDED CLAIMS

received by the International Bureau on 17 April 2014 (17.04.2014).

1. Hairgrip characterized in that a decorative element (2) is placed close to its kingpin, said decorative element (2) being joined to a coil spring (6) or any other device able to extend.
2. Hairgrip according previous claims, characterized in that the elastic element (5, 6) is fastened to the spring (4) of the hairgrip (1).
3. Hairgrip according to claims 1 and 2, characterized in that the elastic element (5, 6) may be joined to the hairgrip (1) in a different place than the spring (4).
4. Hairgrip according previous claims, characterized in that the opening of the hairgrip (1) determines the displacement of the decorative element (2) from its seat (3), and in that the closing of the hairgrip (1) determines the replacement of the same decorative element (2) in its place (3).

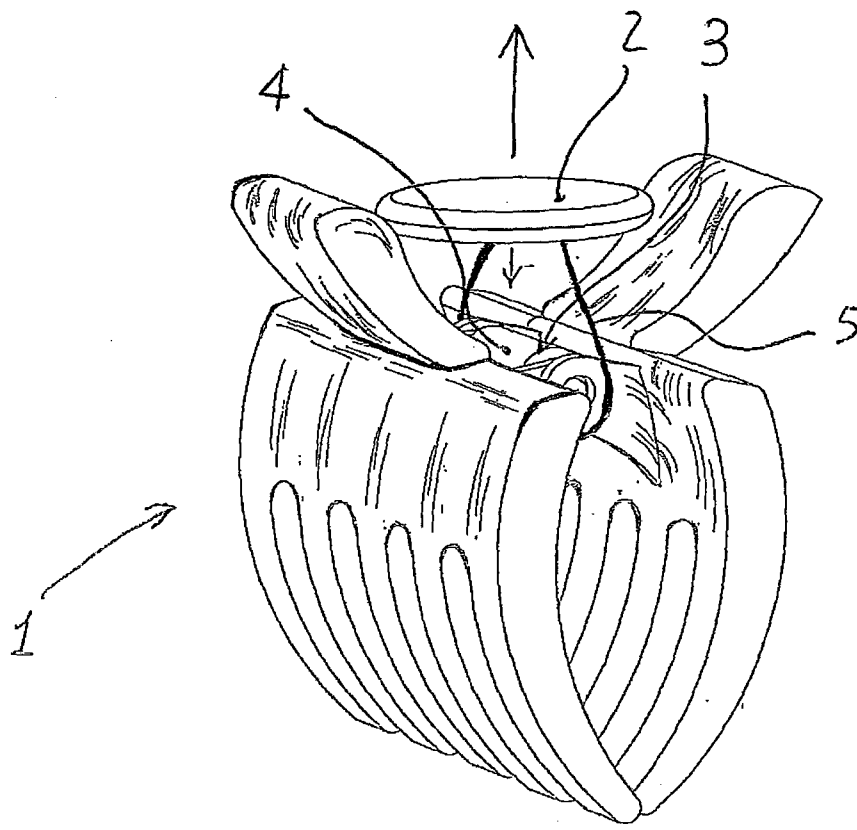


Fig.1

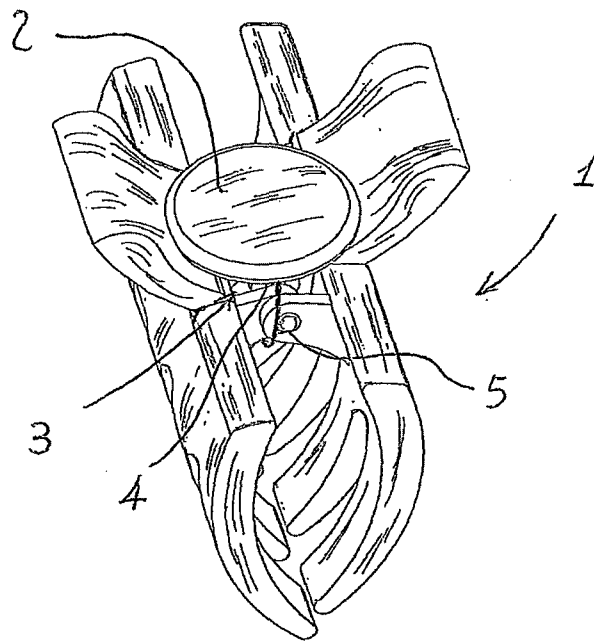


Fig.2

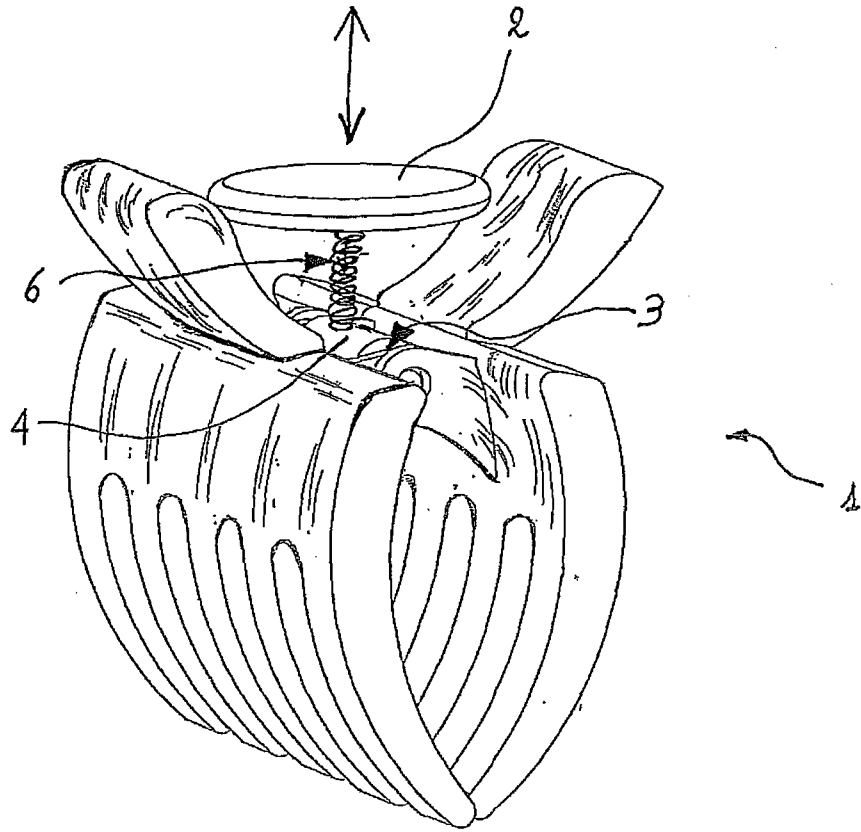


Fig.3

INTERNATIONAL SEARCH REPORT

International application No PCT/IB2013/002696
--

A. CLASSIFICATION OF SUBJECT MATTER
INV. A45D8/20
ADD.

According to International Patent Classification (IPC) or to both national classification and IPC

B. FIELDS SEARCHED

Minimum documentation searched (classification system followed by classification symbols)
A45D

Documentation searched other than minimum documentation to the extent that such documents are included in the fields searched

Electronic data base consulted during the international search (name of data base and, where practicable, search terms used)
EPO-Internal

C. DOCUMENTS CONSIDERED TO BE RELEVANT

Category*	Citation of document, with indication, where appropriate, of the relevant passages	Relevant to claim No.
X	US 5 803 096 A (LEE YA CHUNG [TW]) 8 September 1998 (1998-09-08) the whole document -----	1,2,4-6
X	US 2008/072923 A1 (TROPEANO MARTHA [US]) 27 March 2008 (2008-03-27) the whole document -----	1-6
X	US 5 735 296 A (CHEN CHIN-CHIN [TW]) 7 April 1998 (1998-04-07) the whole document -----	1,2,4-6
X	US 5 975 092 A (TSAI KAI-MOU [TW]) 2 November 1999 (1999-11-02) the whole document -----	1,2,4-6
	----- -/--	

Further documents are listed in the continuation of Box C. See patent family annex.

* Special categories of cited documents :

<p>"A" document defining the general state of the art which is not considered to be of particular relevance</p> <p>"E" earlier application or patent but published on or after the international filing date</p> <p>"L" document which may throw doubts on priority claim(s) or which is cited to establish the publication date of another citation or other special reason (as specified)</p> <p>"O" document referring to an oral disclosure, use, exhibition or other means</p> <p>"P" document published prior to the international filing date but later than the priority date claimed</p>	<p>"T" later document published after the international filing date or priority date and not in conflict with the application but cited to understand the principle or theory underlying the invention</p> <p>"X" document of particular relevance; the claimed invention cannot be considered novel or cannot be considered to involve an inventive step when the document is taken alone</p> <p>"Y" document of particular relevance; the claimed invention cannot be considered to involve an inventive step when the document is combined with one or more other such documents, such combination being obvious to a person skilled in the art</p> <p>"&" document member of the same patent family</p>
---	---

Date of the actual completion of the international search 11 February 2014	Date of mailing of the international search report 18/02/2014
--	---

Name and mailing address of the ISA/ European Patent Office, P.B. 5818 Patentlaan 2 NL - 2280 HV Rijswijk Tel. (+31-70) 340-2040, Fax: (+31-70) 340-3016	Authorized officer Nicolás, Carlos
--	--

INTERNATIONAL SEARCH REPORT

International application No
PCT/IB2013/002696

C(Continuation). DOCUMENTS CONSIDERED TO BE RELEVANT		
Category*	Citation of document, with indication, where appropriate, of the relevant passages	Relevant to claim No.
X	US 6 082 371 A (BADER-SALTZMAN GERALDINE ROSE [US] ET AL) 4 July 2000 (2000-07-04) the whole document -----	1,2,4-6
X	US 2005/045199 A1 (PUORRO NANCY H [US]) 3 March 2005 (2005-03-03) paragraph [0017]; figures 1-6 -----	1,2,4,5
X	US 2009/260652 A1 (DOWNING DEBRA [US]) 22 October 2009 (2009-10-22) the whole document -----	1,2,4-6

INTERNATIONAL SEARCH REPORT

Information on patent family members

International application No PCT/IB2013/002696
--

Patent document cited in search report	A	Publication date	Patent family member(s)	Publication date
US 5803096	A	08-09-1998	NONE	

US 2008072923	A1	27-03-2008	NONE	

US 5735296	A	07-04-1998	NONE	

US 5975092	A	02-11-1999	NONE	

US 6082371	A	04-07-2000	CA 2281145 A1 US 6082371 A	28-02-2001 04-07-2000

US 2005045199	A1	03-03-2005	NONE	

US 2009260652	A1	22-10-2009	US 2009260652 A1 WO 2009131732 A1	22-10-2009 29-10-2009
