

[54] ADJUSTABLE COMPUTER STAND

Primary Examiner—Bruce W. Dunkins

[76] Inventor: William Huculak, 1801 Pepper Rd.,  
Petaluma, Calif. 94952

[57] CLAIM

The ornamental design for an adjustable computer stand, substantially as shown and described.

[\*\*] Term: 14 Years

[21] Appl. No.: 524,430

DESCRIPTION

[22] Filed: Aug. 18, 1983

FIG. 1 is a perspective view of an adjustable computer stand showing my design;

[52] U.S. Cl. .... D6/430; D6/426;  
D6/477

FIG. 2 is a left side elevational view thereof;

[58] Field of Search ..... D6/406, 429, 430, 449,  
D6/491, 426, 427, 477, 478, 479, 480, 431;  
312/196, 223

FIG. 3 is a bottom perspective view of the adjustable computer stand in fully open position;

FIG. 4 is a perspective view of the adjustable computer stand in partially open position;

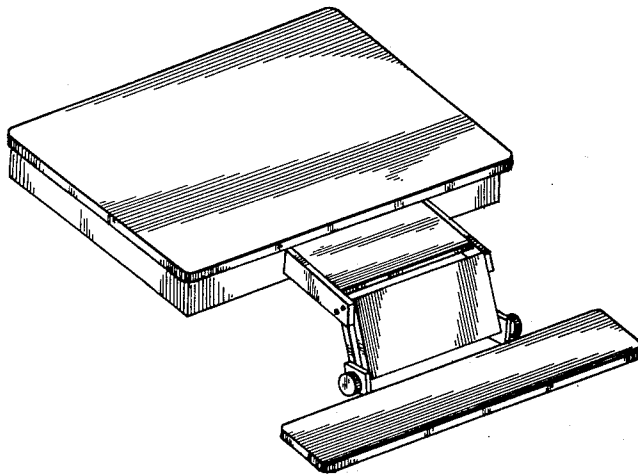
[56] References Cited

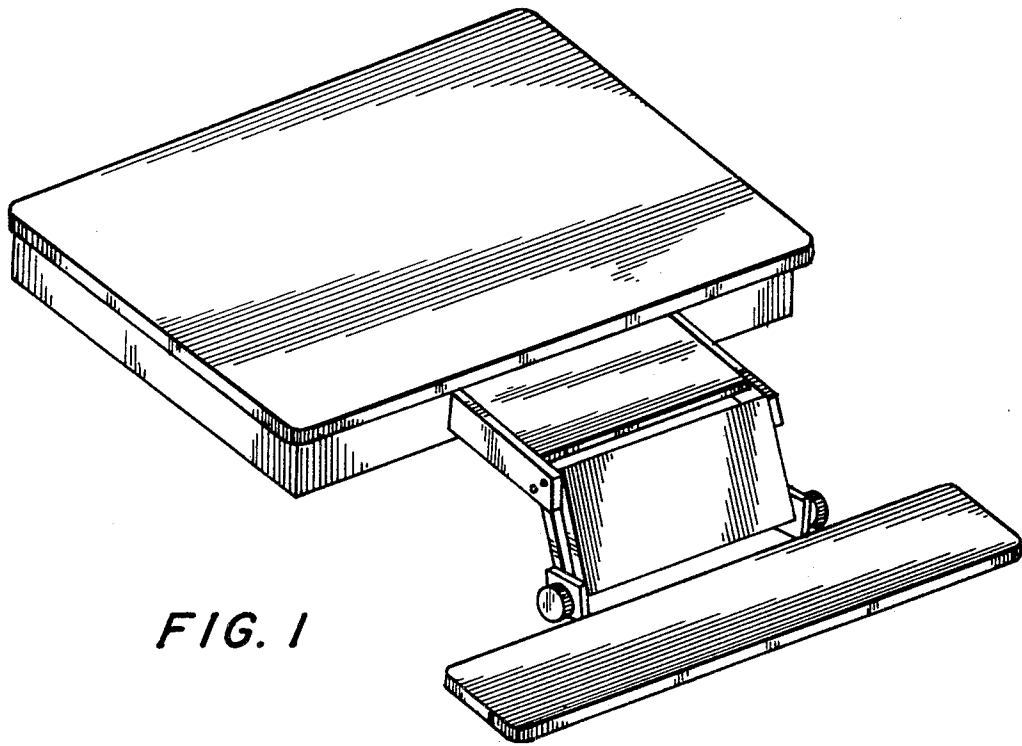
U.S. PATENT DOCUMENTS

FIG. 5 is a left side elevational view thereof; and

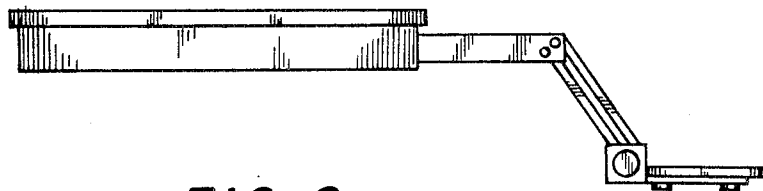
FIG. 6 is a bottom plan view of the adjustable computer stand.

D. 277,914 3/1985 Haus ..... D6/426

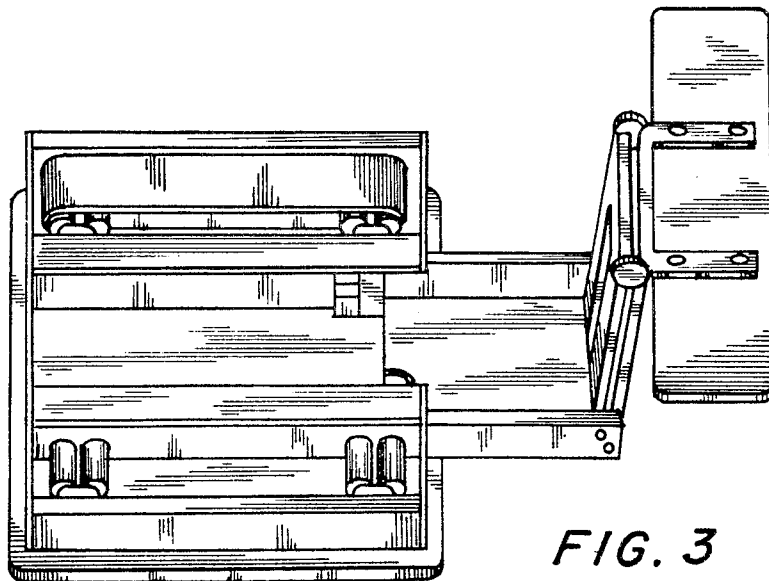




*FIG. 1*



*FIG. 2*



*FIG. 3*

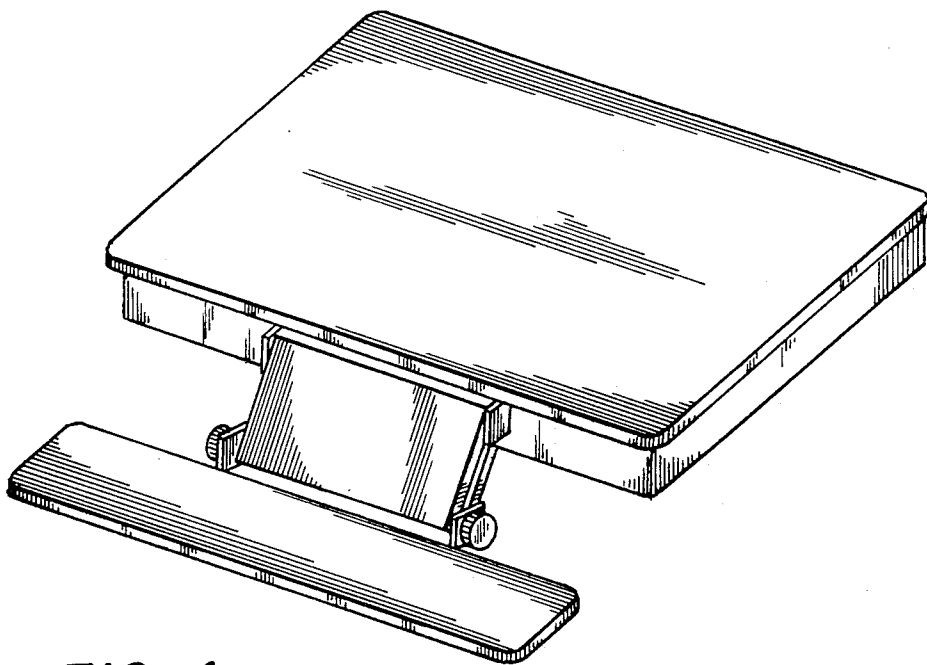


FIG. 4

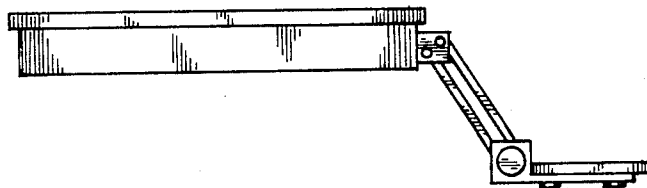


FIG. 5

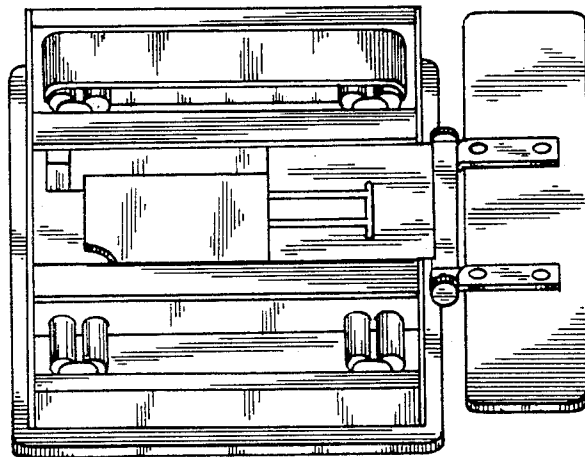


FIG. 6