



US00D617469S

(12) **United States Design Patent**
Mitchell

(10) **Patent No.:** **US D617,469 S**

(45) **Date of Patent:** **** Jun. 8, 2010**

(54) **COLLAPSIBLE PATIO**

(57) **CLAIM**

(76) Inventor: **Patricia A. Mitchell**, 39 Oak Hill,
Huntsville, TX (US) 77320

I claim the ornamental design for a collapsible patio, as shown
and described.

(**) Term: **14 Years**

DESCRIPTION

(21) Appl. No.: **29/345,150**

FIG. 1 is a perspective view of a collapsible patio, showing
my new design;

(22) Filed: **Oct. 9, 2009**

FIG. 2 is a front elevational view thereof;

(51) **LOC (9) Cl.** **25-04**

FIG. 3 is a rear elevational view thereof;

(52) **U.S. Cl.** **D25/62**

FIG. 4 is a right-side elevational view thereof;

(58) **Field of Classification Search** **D25/62;**
52/79.6

FIG. 5 is a left-side elevational view thereof;

See application file for complete search history.

FIG. 6 is a top plan view thereof;

(56) **References Cited**

FIG. 7 is a bottom plan view thereof;

U.S. PATENT DOCUMENTS

FIG. 8 is a perspective view thereof, illustrated in a partially
collapsed configuration;

4,869,030 A * 9/1989 Clark 52/79.6

FIG. 9 is a top perspective view thereof, illustrated in a col-
lapsed configuration; and,

5,822,930 A * 10/1998 Klein 52/143

D464,144 S * 10/2002 Peterson D25/62

7,353,639 B2 * 4/2008 Carson 52/79.5

D596,317 S * 7/2009 Favell D25/62

FIG. 10 is a bottom perspective view thereof, illustrated in a
collapsed configuration.

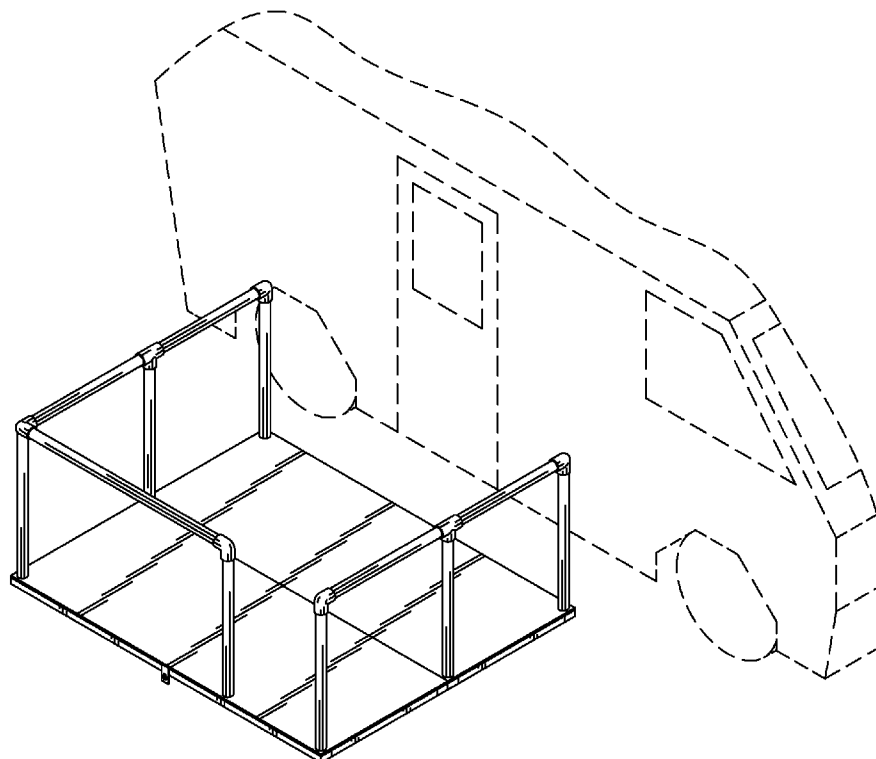
* cited by examiner

The broken lines showing a vehicle in FIG. 1 are included for
the purpose of illustrating the invention in use, and form no
part of the claimed design.

Primary Examiner—Doris Clark

(74) *Attorney, Agent, or Firm*—QuickPatents, Inc.; Kevin
Prince

1 Claim, 5 Drawing Sheets



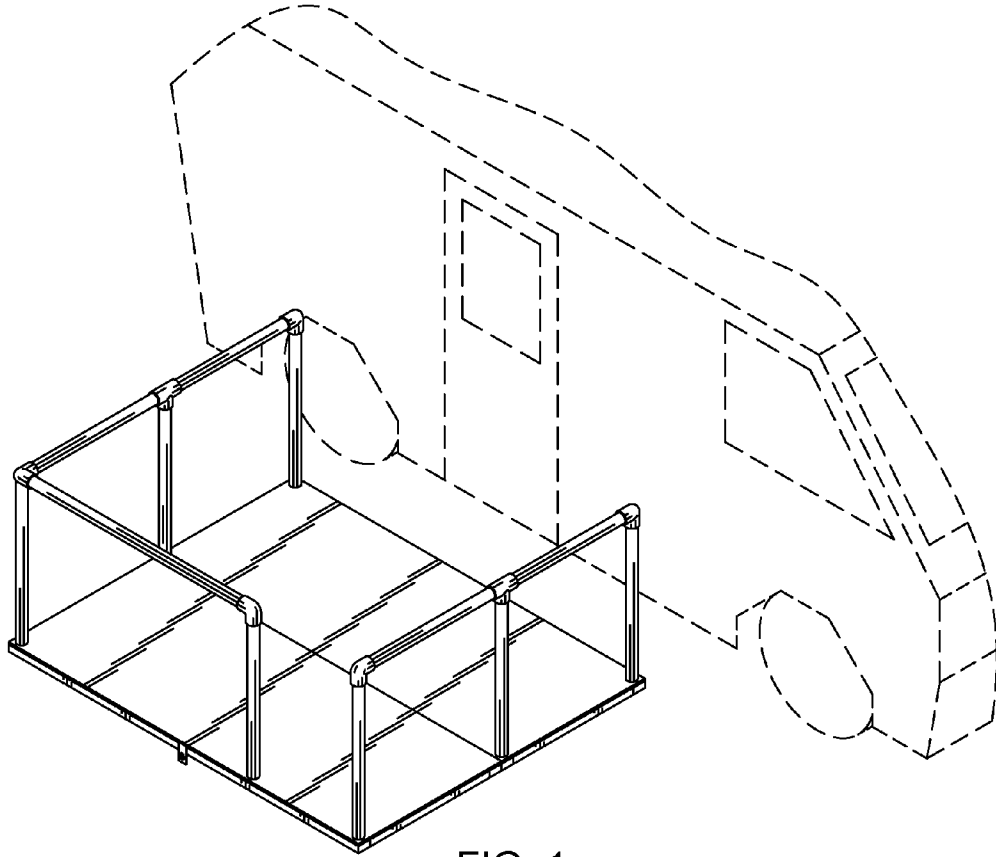


FIG. 1

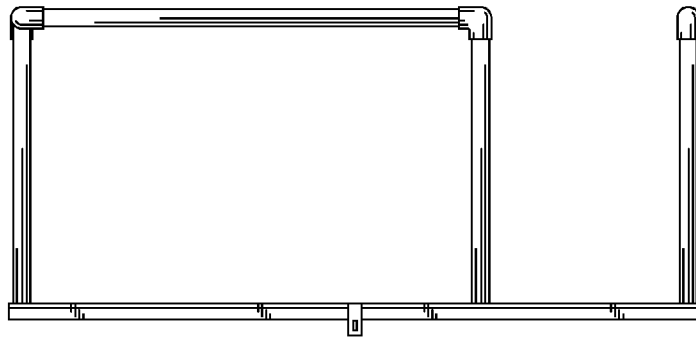


FIG. 2

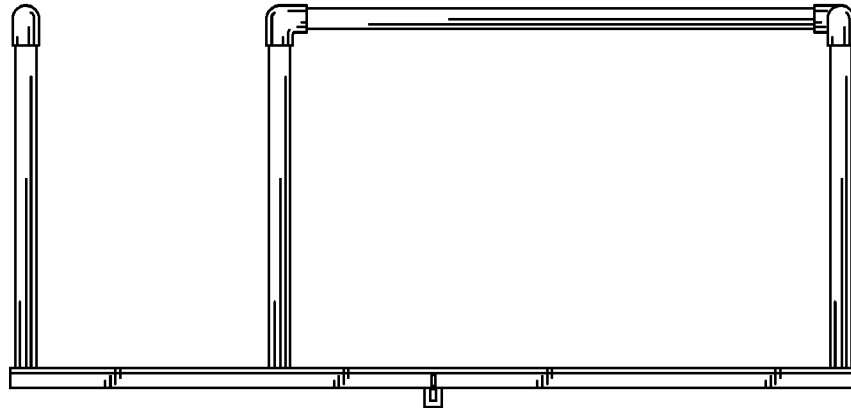


FIG. 3

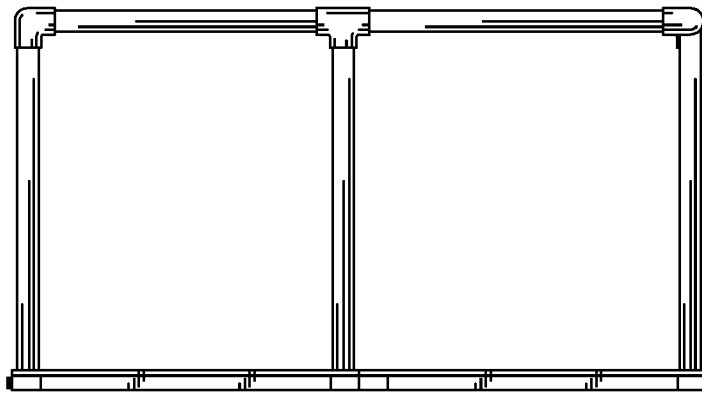


FIG. 4

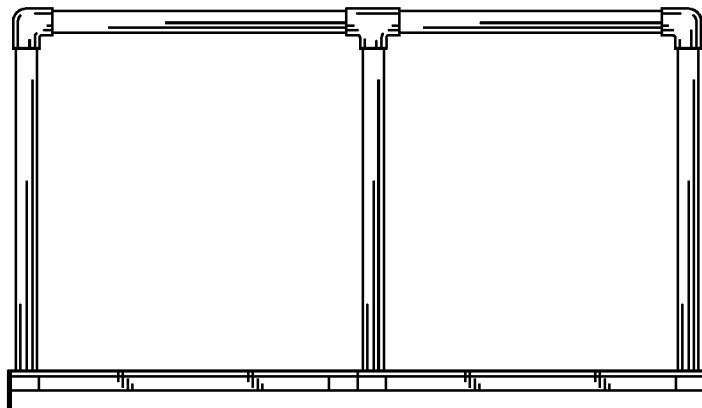


FIG. 5

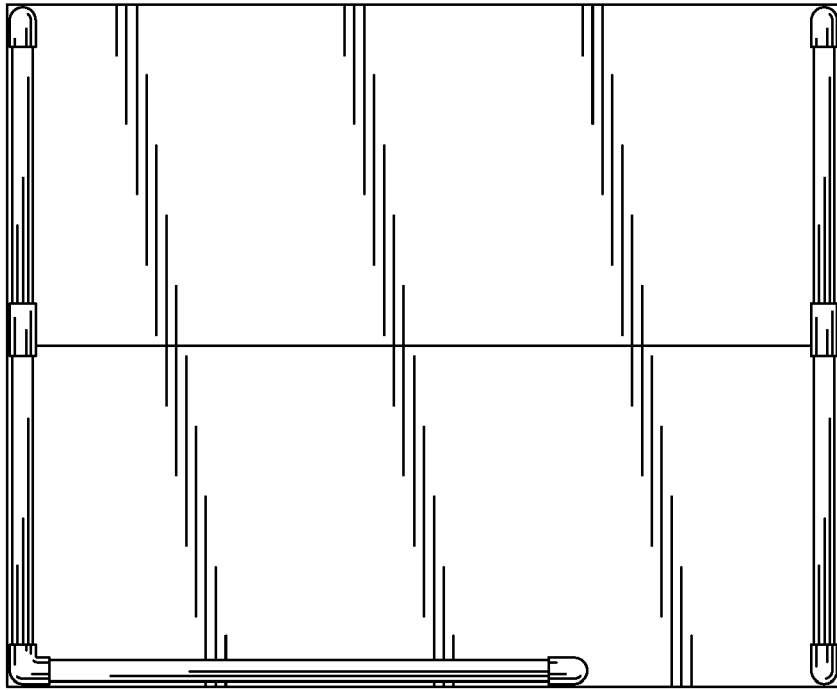


FIG. 6

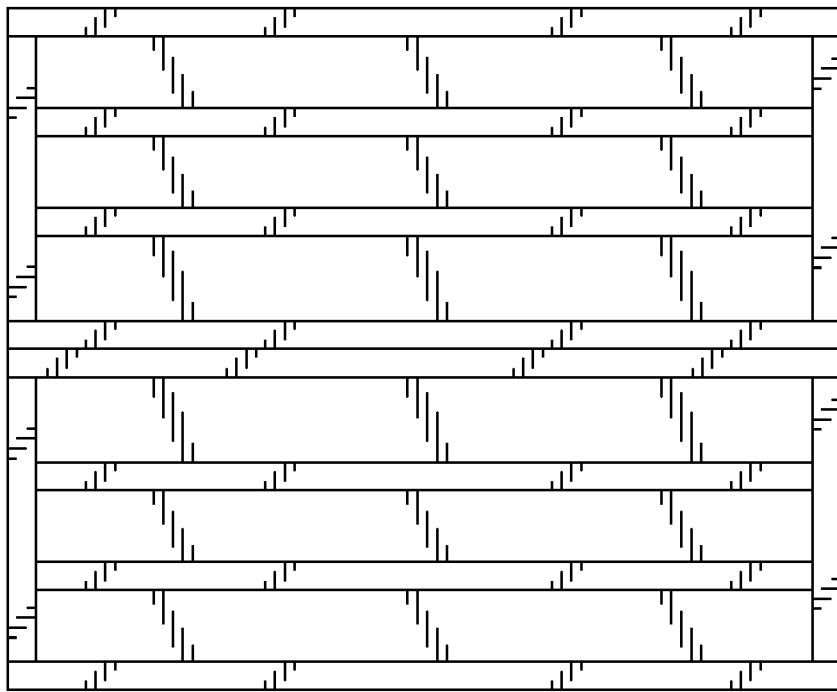


FIG. 7

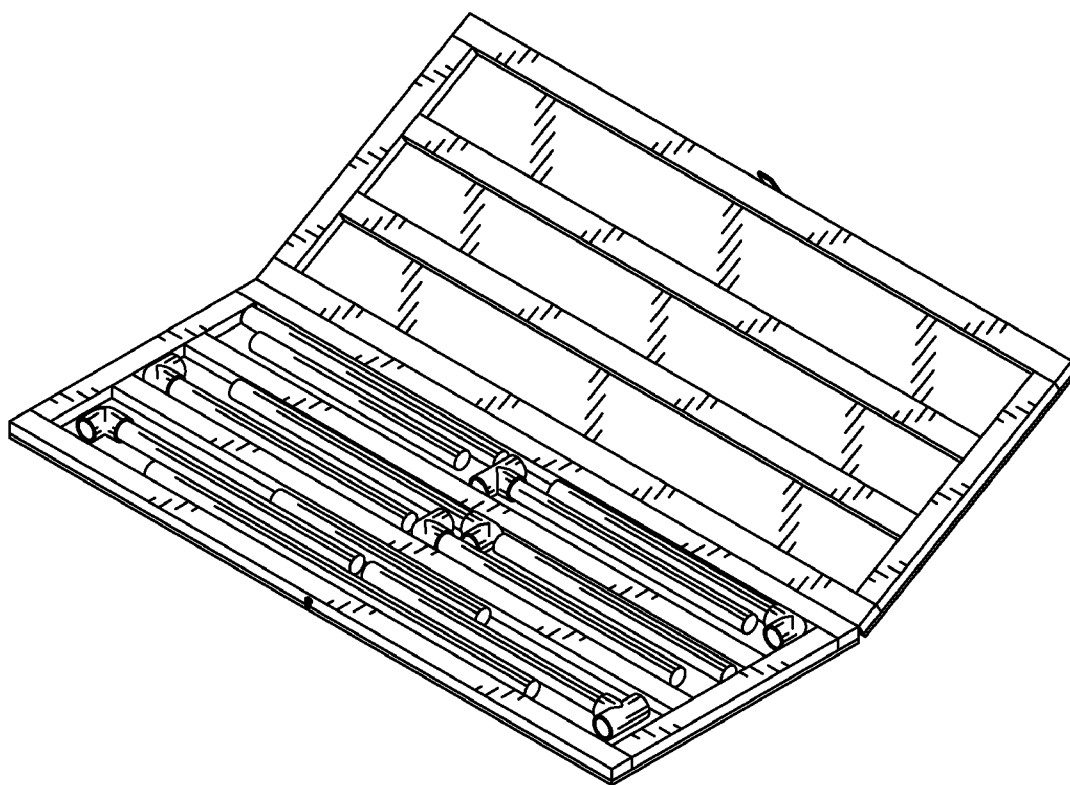


FIG. 8

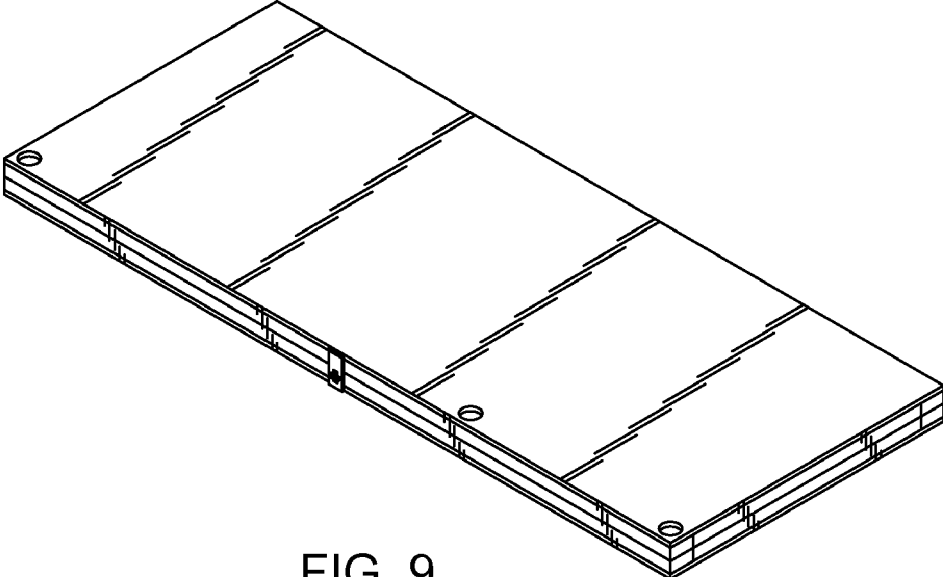


FIG. 9

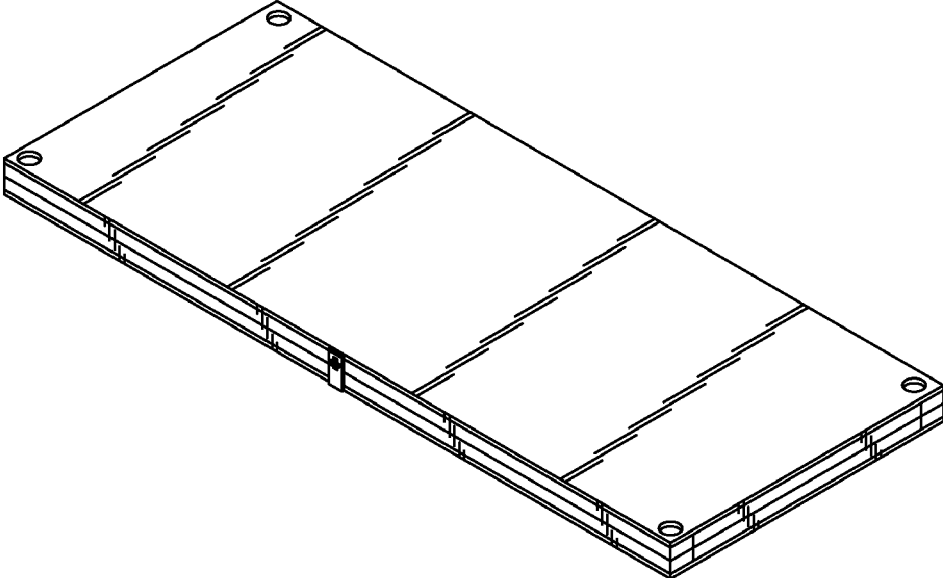


FIG. 10