



- (51) **International Patent Classification:**
F03D 7/04 (2006.01)
- (21) **International Application Number:**
PCT/DK2011/050291
- (22) **International Filing Date:**
26 July 2011 (26.07.2011)
- (25) **Filing Language:** English
- (26) **Publication Language:** English
- (30) **Priority Data:**

61/367,535	26 July 2010 (26.07.2010)	US
1012478.2	26 July 2010 (26.07.2010)	GB
- (71) **Applicant (for all designated States except US):** VESTAS WIND SYSTEMS A/S [DK/DK]; Hedeager 44, DK-8200 Aarhus N (DK).
- (72) **Inventor; and**
- (75) **Inventor/Applicant (for US only):** WEDEL-HEINEN, Jens Jakob [DK/DK]; Mosehøjvej 46B, DK-2920 Charlottenlund (DK).

- (81) **Designated States (unless otherwise indicated, for every kind of national protection available):** AE, AG, AL, AM, AO, AT, AU, AZ, BA, BB, BG, BH, BR, BW, BY, BZ, CA, CH, CL, CN, CO, CR, CU, CZ, DE, DK, DM, DO, DZ, EC, EE, EG, ES, FI, GB, GD, GE, GH, GM, GT, HN, HR, HU, ID, IL, IN, IS, JP, KE, KG, KM, KN, KP, KR, KZ, LA, LC, LK, LR, LS, LT, LU, LY, MA, MD, ME, MG, MK, MN, MW, MX, MY, MZ, NA, NG, NI, NO, NZ, OM, PE, PG, PH, PL, PT, RO, RS, RU, SC, SD, SE, SG, SK, SL, SM, ST, SV, SY, TH, TJ, TM, TN, TR, TT, TZ, UA, UG, US, UZ, VC, VN, ZA, ZM, ZW.
- (84) **Designated States (unless otherwise indicated, for every kind of regional protection available):** ARIPO (BW, GH, GM, KE, LR, LS, MW, MZ, NA, SD, SL, SZ, TZ, UG, ZM, ZW), Eurasian (AM, AZ, BY, KG, KZ, MD, RU, TJ, TM), European (AL, AT, BE, BG, CH, CY, CZ, DE, DK, EE, ES, FI, FR, GB, GR, HR, HU, IE, IS, IT, LT, LU, LV, MC, MK, MT, NL, NO, PL, PT, RO, RS, SE, SI, SK, SM, TR), OAPI (BF, BJ, CF, CG, CI, CM, GA, GN, GQ, GW, ML, MR, NE, SN, TD, TG).

[Continued on next page]

(54) **Title:** IMPROVEMENTS RELATING TO WIND TURBINES

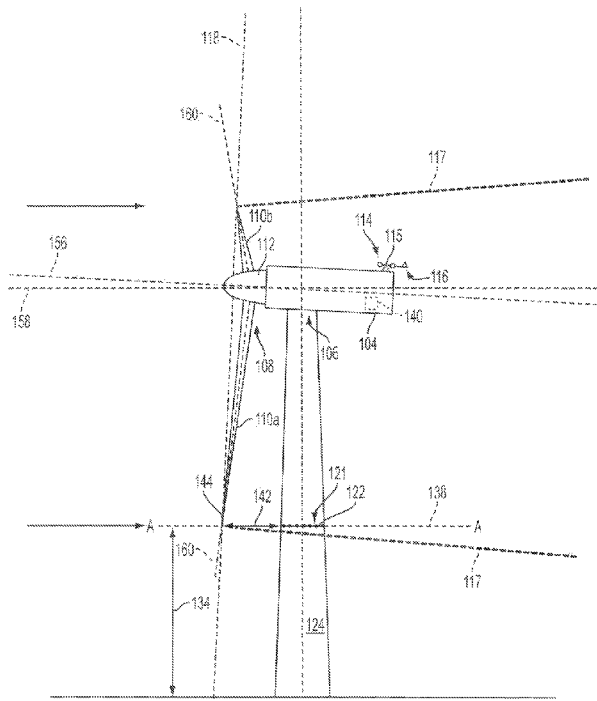


FIG. 2

(57) **Abstract:** An upwind wind turbine comprising a tower and a rotor is described. The wind turbine additionally includes a pressure-sensing device supported by the tower at a location within the wake of the rotor. The pressure-sensing device is configured to sense air pressure and provide a signal indicative of the sensed air pressure to a wind turbine controller for use in controlling the rotor of the wind turbine.

WO 2012/013195 A3



Published:

(88) Date of publication of the international search report:

10 May 2012

- *with international search report (Art. 21(3))*
- *before the expiration of the time limit for amending the claims and to be republished in the event of receipt of amendments (Rule 48.2(h))*

INTERNATIONAL SEARCH REPORT

International application No
PCT/DK2011/050291

A. CLASSIFICATION OF SUBJECT MATTER
 INV. F03D7/02
 ADD.
 According to International Patent Classification (IPC) or to both national classification and IPC

B. FIELDS SEARCHED
 Minimum documentation searched (classification system followed by classification symbols)
 F03D

Documentation searched other than minimum documentation to the extent that such documents are included in the fields searched

Electronic data base consulted during the international search (name of data base and, where practical, search terms used)
 EPO-Internal, WPI Data

C. DOCUMENTS CONSIDERED TO BE RELEVANT

Category*	Citation of document, with indication, where appropriate, of the relevant passages	Relevant to claim No.
X	US 2004/057828 A1 (BOSCHE JOHN VANDEN [US]) 25 March 2004 (2004-03-25) paragraph [0007]; figures 1-4 paragraph [0013] paragraph [0018] paragraph [0020] - paragraph [0022]	1-20
X	WO 2009/109467 A2 (VESTAS WIND SYS AS [DK]; ORMEL FRANK [DK]) 11 September 2009 (2009-09-11) page 8	1-5, 7-11, 16, 17, 12-15, 18-20
A	----- -/--	

Further documents are listed in the continuation of Box C.

See patent family annex.

* Special categories of cited documents :

<p>"A" document defining the general state of the art which is not considered to be of particular relevance</p> <p>"E" earlier document but published on or after the international filing date</p> <p>"L" document which may throw doubts on priority claim(s) or which is cited to establish the publication date of another citation or other special reason (as specified)</p> <p>"O" document referring to an oral disclosure, use, exhibition or other means</p> <p>"P" document published prior to the international filing date but later than the priority date claimed</p>	<p>"T" later document published after the international filing date or priority date and not in conflict with the application but cited to understand the principle or theory underlying the invention</p> <p>"X" document of particular relevance; the claimed invention cannot be considered novel or cannot be considered to involve an inventive step when the document is taken alone</p> <p>"Y" document of particular relevance; the claimed invention cannot be considered to involve an inventive step when the document is combined with one or more other such documents, such combination being obvious to a person skilled in the art.</p> <p>"&" document member of the same patent family</p>
--	--

Date of the actual completion of the international search 21 March 2012	Date of mailing of the international search report 28/03/2012
--	--

Name and mailing address of the ISA/ European Patent Office, P.B. 5818 Patentlaan 2 NL - 2280 HV Rijswijk Tel. (+31-70) 340-2040, Fax: (+31-70) 340-3016	Authorized officer Brandt, Isabelle
--	--

INTERNATIONAL SEARCH REPORT

International application No
PCT/DK2011/050291

C(Continuation). DOCUMENTS CONSIDERED TO BE RELEVANT		
Category*	Citation of document, with indication, where appropriate, of the relevant passages	Relevant to claim No.
X	EP 2 182 205 A1 (SIEMENS AG [DE]) 5 May 2010 (2010-05-05)	1-3,5, 7-9,16, 17
A	paragraph [0022]; figure 1 paragraph [0033] - paragraph [0035]; figure 4	4,6, 10-15, 18-20
A	----- US 2010/111668 A1 (KAPICH DAVORIN D [US]) 6 May 2010 (2010-05-06) paragraph [0046]	1-20
X,P	----- WO 2011/023774 A2 (VESTAS WIND SYS AS [DK]; MILO ANDERS HOLM [DK]) 3 March 2011 (2011-03-03) page 7; figure 2 page 10 - page 14 -----	1-11,16, 17

INTERNATIONAL SEARCH REPORT

Information on patent family members

International application No

PCT/DK2011/050291

Patent document cited in search report	Publication date	Patent family member(s)	Publication date
US 2004057828 A1	25-03-2004	US 2004057828 A1 US 2008101930 A1	25-03-2004 01-05-2008

WO 2009109467 A2	11-09-2009	CN 101970866 A EP 2263004 A2 US 2011074154 A1 WO 2009109467 A2	09-02-2011 22-12-2010 31-03-2011 11-09-2009

EP 2182205 A1	05-05-2010	CA 2683500 A1 CN 101725468 A EP 2182205 A1 JP 2010106838 A NZ 580114 A US 2010102559 A1	28-04-2010 09-06-2010 05-05-2010 13-05-2010 30-09-2010 29-04-2010

US 2010111668 A1	06-05-2010	NONE	

WO 2011023774 A2	03-03-2011	US 2011049887 A1 WO 2011023774 A2	03-03-2011 03-03-2011
