

(19) World Intellectual Property Organization
International Bureau



(43) International Publication Date
24 January 2008 (24.01.2008)

PCT

(10) International Publication Number
WO 2008/011641 A3

- (51) International Patent Classification:
B09B 3/00 (2006.01)
- (21) International Application Number:
PCT/ZA2007/000042
- (22) International Filing Date: 19 July 2007 (19.07.2007)
- (25) Filing Language: English
- (26) Publication Language: English
- (30) Priority Data:

2006/00527	19 July 2006 (19.07.2006)	ZA
2006/10183	6 December 2006 (06.12.2006)	ZA
2007/00463	16 January 2007 (16.01.2007)	ZA
2007/02995	12 April 2007 (12.04.2007)	ZA
2007/03648	7 May 2007 (07.05.2007)	ZA

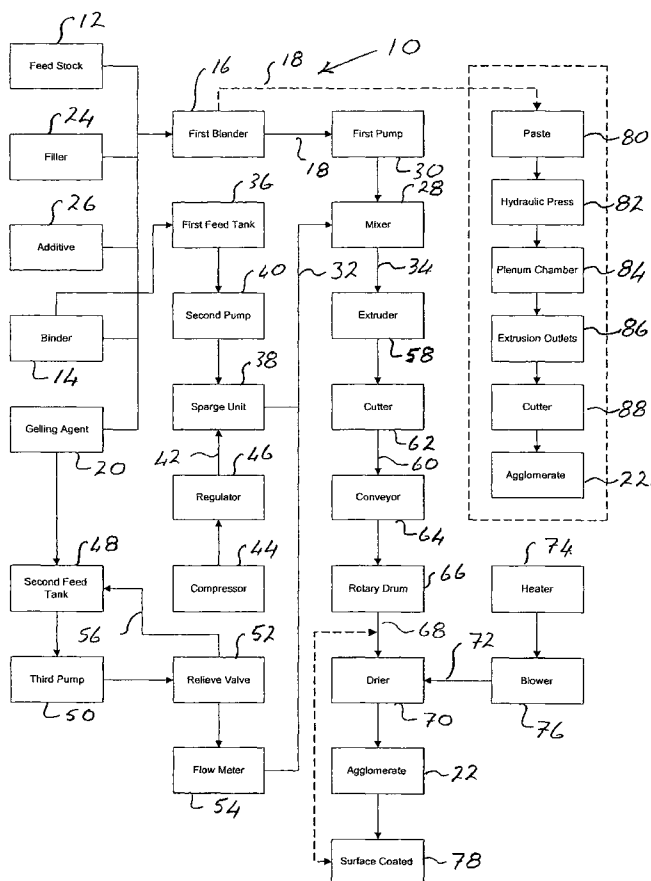
- (72) Inventor; and
- (75) Inventor/Applicant (for US only): SYMONS, Michael, Windsor [GB/ZA]; 16 Luipaards Avenue, Monument Park, 0181 Pretoria (ZA).
- (74) Agent: ADAMS & ADAMS; Adams & Adams, Place 1140 Prosect Street, Hatfield Pretoria, P.O. Box 1014, Pretoria (ZA).
- (81) Designated States (unless otherwise indicated, for every kind of national protection available): AE, AG, AL, AM, AT, AU, AZ, BA, BB, BG, BH, BR, BW, BY, BZ, CA, CH, CN, CO, CR, CU, CZ, DE, DK, DM, DO, DZ, EC, EE, EG, ES, FI, GB, GD, GE, GH, GM, GT, HN, HR, HU, ID, IL, IN, IS, JP, KE, KG, KM, KN, KP, KR, KZ, LA, LC, LK, LR, LS, LT, LU, LY, MA, MD, ME, MG, MK, MN, MW, MX, MY, MZ, NA, NG, NI, NO, NZ, OM, PG, PH, PL, PT, RO, RS, RU, SC, SD, SE, SG, SK, SL, SM, SV, SY, TJ, TM, TN, TR, TT, TZ, UA, UG, US, UZ, VC, VN, ZA, ZM, ZW.

(71) Applicant (for all designated States except US): TOWER TECHNOLOGY HOLDINGS (PTY) LTD [ZA/ZA]; Building 16, Council for Scientific & Industrial Research Campus, Meiring Naude Road, Scientia, 0184 Pretoria (ZA).

(84) Designated States (unless otherwise indicated, for every kind of regional protection available): ARIPO (BW, GH,

[Continued on next page]

(54) Title: A METHOD OF AGGLOMERATION



(57) Abstract: The invention provides a method of agglomeration (10) which has the steps of mixing a feedstock (12) of small particles which have an average particle size of 3mm or less with a binder (14) in the form of a polyvinyl alcohol in the form of an aqueous polyvinyl alcohol solution in a first blender (16) to form a binder mixture (18), reacting a gelling agent (20) with the feedstock and the binder mixture to form a binder mixture (18), and processing the binder mixture to deliver an agglomerate (22).

WO 2008/011641 A3



GM, KE, LS, MW, MZ, NA, SD, SL, SZ, TZ, UG, ZM, ZW), Eurasian (AM, AZ, BY, KG, KZ, MD, RU, TJ, TM), European (AT, BE, BG, CH, CY, CZ, DE, DK, EE, ES, FI, FR, GB, GR, HU, IE, IS, IT, LT, LU, LV, MC, MT, NL, PL, PT, RO, SE, SI, SK, TR), OAPI (BF, BJ, CF, CG, CI, CM, GA, GN, GQ, GW, ML, MR, NE, SN, TD, TG).

Published:

- *with international search report*
- *before the expiration of the time limit for amending the claims and to be republished in the event of receipt of amendments*

(88) Date of publication of the international search report:

7 August 2008

INTERNATIONAL SEARCH REPORT

International application No
PCT/ZA2007/000042

A. CLASSIFICATION OF SUBJECT MATTER
INV. B09B3/00

According to International Patent Classification (IPC) or to both national classification and IPC

B. FIELDS SEARCHED

Minimum documentation searched (classification system followed by classification symbols)
B09B C04B

Documentation searched other than minimum documentation to the extent that such documents are included in the fields searched

Electronic data base consulted during the international search (name of data base and, where practical, search terms used)

EPO-Internal, WPI Data

C. DOCUMENTS CONSIDERED TO BE RELEVANT

Category*	Citation of document, with indication, where appropriate, of the relevant passages	Relevant to claim No.
X	BASSNER S.L. ET AL: "USING POLY(VINYL ALCOHOL) AS A BINDER" AMERICAN CERAMIC SOCIETY BULLETIN, AMERICAN CERAMIC SOCIETY. COLUMBUS, US, vol. 77, no. 6, 1 June 1998 (1998-06-01), pages 71-75, XP000765539 ISSN: 0002-7812	1-7, 11-15, 23, 24
A	page 71, middle column, line 1 - line 8 page 71, right-hand column, line 20 - page 72, middle column, line 12 Table on page 73 "Relationship between PVA Solution Viscosity and Molecular Weight" page 73, right-hand column, line 10 - line 57 page 74, left-hand column, line 22 - line 30	20-22

Further documents are listed in the continuation of Box C.

See patent family annex.

* Special categories of cited documents:

- *A* document defining the general state of the art which is not considered to be of particular relevance
- *E* earlier document but published on or after the international filing date
- *L* document which may throw doubts on priority claim(s) or which is cited to establish the publication date of another citation or other special reason (as specified)
- *O* document referring to an oral disclosure, use, exhibition or other means
- *P* document published prior to the international filing date but later than the priority date claimed

- *T* later document published after the international filing date or priority date and not in conflict with the application but cited to understand the principle or theory underlying the invention
- *X* document of particular relevance; the claimed invention cannot be considered novel or cannot be considered to involve an inventive step when the document is taken alone
- *Y* document of particular relevance; the claimed invention cannot be considered to involve an inventive step when the document is combined with one or more other such documents, such combination being obvious to a person skilled in the art.
- *Z* document member of the same patent family

Date of the actual completion of the international search

6 June 2008

Date of mailing of the international search report

20/06/2008

Name and mailing address of the ISA

European Patent Office, P.B. 5818 Patentlaan 2
NL - 2280 HV Rijswijk
Tel. (+31-70) 340-2040, Tx. 31 651 epo nl,
Fax: (+31-70) 340-3016

Authorized officer

van der Zee, Willem

INTERNATIONAL SEARCH REPORT

International application No

PCT/ZA2007/000042

C(Continuation). DOCUMENTS CONSIDERED TO BE RELEVANT

Category*	Citation of document, with indication, where appropriate, of the relevant passages	Relevant to claim No.
X A	US 6 008 281 A (YANG ET AL) 28 December 1999 (1999-12-28) abstract column 1, line 10 - line 13 column 2, line 44 - line 49 column 2, line 65 - line 67 column 3, line 6 - line 11 column 3, line 52 - column 4, line 58 column 5, line 26 - line 29 claims	1-6, 23-25 20-22,27
X A	US 6 174 453 B1 (HARADA) 16 January 2001 (2001-01-16) abstract column 3, line 34 - column 4, line 4 column 5, line 36 - line 45 column 7, line 46 - line 61 claims	1-5, 8-10, 23-25 16, 20-22,27
X A	FR 2 337 588 A (BIEZ) 5 August 1977 (1977-08-05) page 1, line 1 - line 33 page 2, line 20 - page 5, line 37 claims	1-5,9, 10,23-25 16, 20-22,27
X A	US 6 382 111 B1 (HOJAJI) 7 May 2002 (2002-05-07) abstract column 1, line 6 - line 9 column 2, line 40 - line 43 column 3, line 61 - line 65 claims	1-5, 23-25 20-22, 24,27
X	US 5 069 720 A (EPPERLY ET AL) 3 December 1991 (1991-12-03) abstract column 1, line 8 - line 14 column 3, line 12 - line 25 column 6, line 20 - line 63 claims	1-5,29

INTERNATIONAL SEARCH REPORT

Information on patent family members

International application No

PCT/ZA2007/000042

Patent document cited in search report	Publication date	Patent family member(s)	Publication date	
US 6008281	A	28-12-1999	EP 0928656 A2	14-07-1999
			JP 3142828 B2	07-03-2001
			JP 11350004 A	21-12-1999
			SG 67583 A1	21-09-1999
			US 5977230 A	02-11-1999
US 6174453	B1	16-01-2001	CN 1250713 A	19-04-2000
			HK 1025928 A1	27-06-2003
			HU 9903328 A1	28-09-2000
			KR 20000028802 A	25-05-2000
			TW 467816 B	11-12-2001
FR 2337588	A	05-08-1977	CH 609660 A5	15-03-1979
US 6382111	B1	07-05-2002	US 6615463 B1	09-09-2003
US 5069720	A	03-12-1991	AU 3968189 A	23-01-1990
			CA 1326130 C	18-01-1994
			WO 9000160 A1	11-01-1990