



US00D725818S

(12) **United States Design Patent**
Yao et al.

(10) **Patent No.:** **US D725,818 S**
(45) **Date of Patent:** **** Mar. 31, 2015**

(54) **LENS FOR LIGHTING MODULE**
(75) Inventors: **Chiu-Lin Yao**, Hsinchu (TW);
Ming-Chi Hsu, Hsinchu (TW); **Been-Yu Liaw**, Hsinchu (TW)

(73) Assignee: **Epistar Corporation**, Hsinchu (TW)

(**) Term: **14 Years**

(21) Appl. No.: **29/423,033**

(22) Filed: **May 25, 2012**

(30) **Foreign Application Priority Data**

Dec. 30, 2011 (TW) 100307269
Dec. 30, 2011 (TW) 100307270

(51) **LOC (10) Cl.** **26-99**

(52) **U.S. Cl.**
USPC **D26/118**

(58) **Field of Classification Search**
USPC D26/51, 56, 57, 61, 72-91, 92-102,
D26/108, 109, 113, 118, 124; D14/172,
D14/184, 195, 204; D11/131, 142-144,
D11/151-154; 362/3, 11, 12, 16, 145,
362/147-150, 217.01-217.12, 257, 291,
362/296.01, 308, 317, 327, 328, 335,
362/362-368, 455, 558, 563, 564, 576,
362/805-809, 811

See application file for complete search history.

(56) **References Cited**

U.S. PATENT DOCUMENTS

D402,989 S * 12/1998 Church et al. D14/204
6,724,543 B1 * 4/2004 Chinniah et al. 362/335
D495,822 S * 9/2004 Yoneda D26/124
D502,168 S * 2/2005 Hill D14/204
D540,972 S * 4/2007 Tortel D26/118

7,370,994 B2 * 5/2008 Li 362/335
D610,127 S * 2/2010 Daniele D14/204
D625,045 S * 10/2010 Chen et al. D26/126
D625,462 S * 10/2010 Ku et al. D26/128
8,120,048 B2 * 2/2012 Chen et al. 257/95
8,182,110 B2 * 5/2012 Jiang et al. 362/455
8,267,553 B2 * 9/2012 Liang et al. 362/328
8,269,243 B2 * 9/2012 Duan et al. 257/98
D689,649 S * 9/2013 Popper et al. D26/124
D697,046 S * 1/2014 Hanna D14/204
D699,149 S * 2/2014 Wolff D11/153
D705,473 S * 5/2014 Messisaen D26/74
D705,978 S * 5/2014 Rhodes D26/89
2003/0165059 A1 * 9/2003 Packer et al. 362/311
2010/0014286 A1 * 1/2010 Yoneda et al. 362/308
2010/0165636 A1 * 7/2010 Chen et al. 362/308
2011/0110097 A1 * 5/2011 Fu et al. 362/296.01
2011/0280023 A1 * 11/2011 Lee et al. 362/326
2013/0044494 A1 * 2/2013 Dross et al. 362/327

* cited by examiner

Primary Examiner — Garth Rademaker

Assistant Examiner — Llorellys Martinez-Rivera

(74) *Attorney, Agent, or Firm* — Muncy, Geissler, Olds & Lowe, P.C.

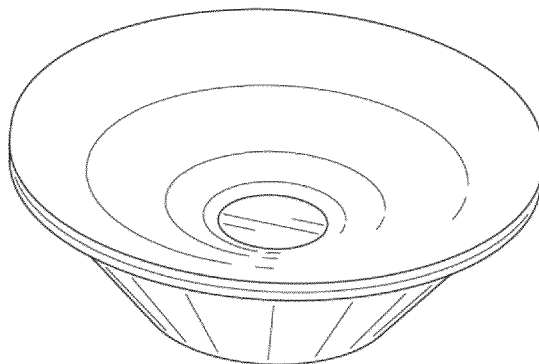
(57) **CLAIM**

The ornamental design for a lens for lighting module, as shown and described.

DESCRIPTION

FIG. 1 is a front perspective view of a lens for lighting module showing our new design;
FIG. 2 is a rear perspective view thereof;
FIG. 3 is a front elevational view thereof;
FIG. 4 is a rear elevational view thereof;
FIG. 5 is a left side view thereof;
FIG. 6 is a right side view thereof;
FIG. 7 is a top plan view thereof; and,
FIG. 8 is a bottom plan view thereof.

1 Claim, 4 Drawing Sheets



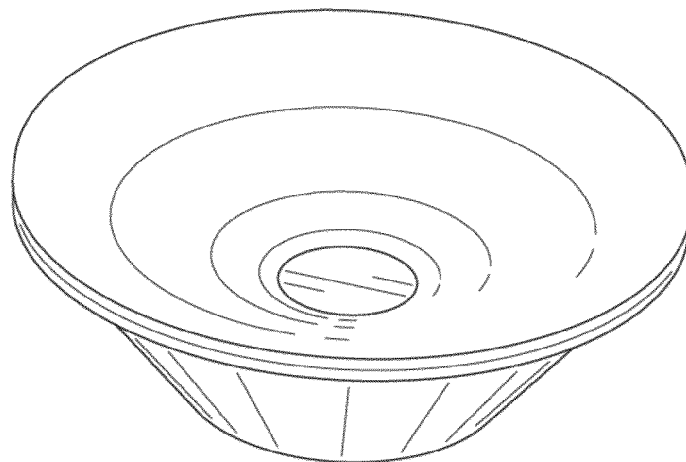


FIG. 1

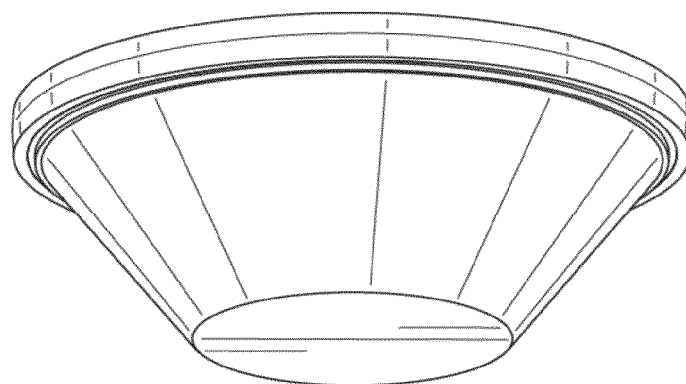


FIG. 2

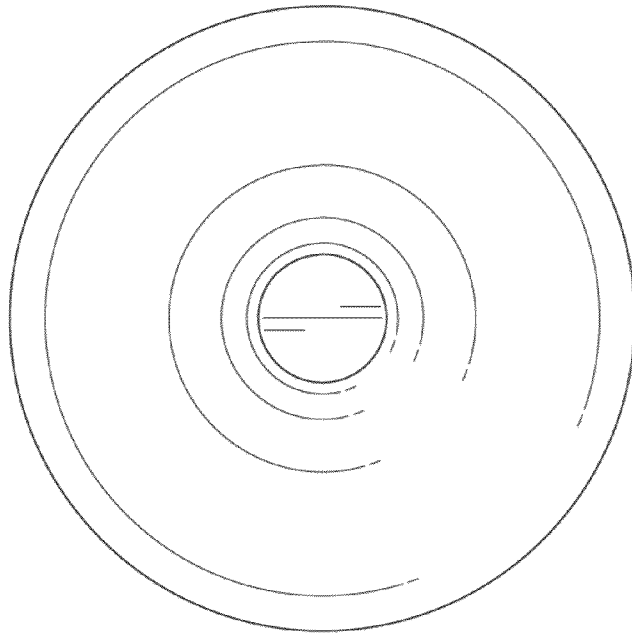


FIG. 3

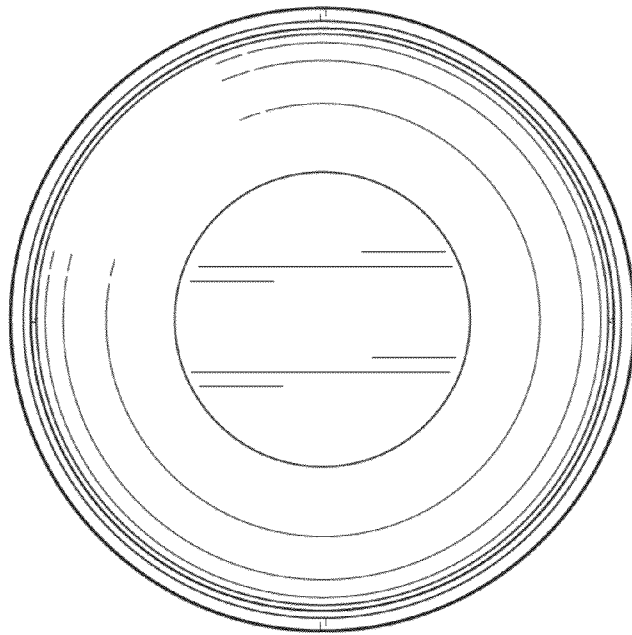


FIG. 4

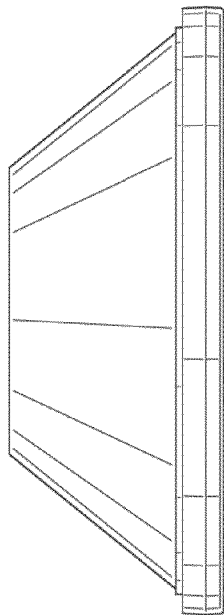


FIG. 5

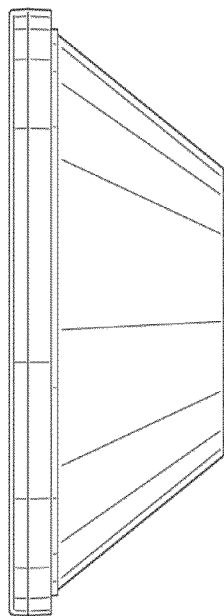


FIG. 6

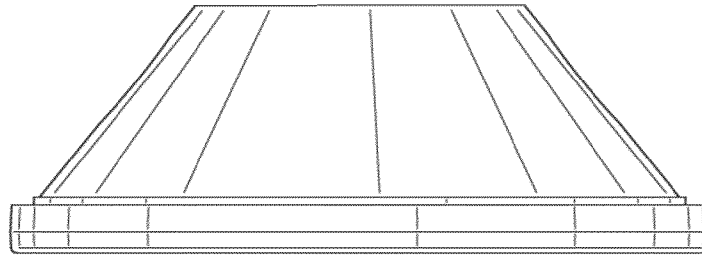


FIG. 7

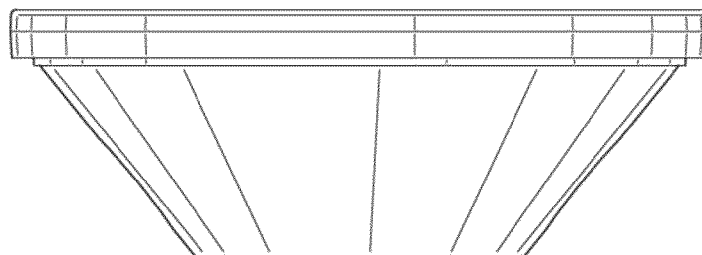


FIG. 8