



US00D998728S

(12) **United States Design Patent**
Lin et al.

(10) **Patent No.:** **US D998,728 S**

(45) **Date of Patent:** **** Sep. 12, 2023**

(54) **WALKING TREADMILL**

OTHER PUBLICATIONS

(71) Applicant: **Shenzhen Yile Dynamic Technology Co., LTD**, Guangdong (CN)

Urevo Under Desk Treadmill, amazon.com, first available Feb. 14, 2023 [online], [site visited Apr. 13, 2023], Available from internet, URL: <https://www.amazon.com/UREVO-Treadmill-Walking-Portable-Capacity/dp/B0BVQMSVMI> (Year: 2023).*

(72) Inventors: **Jianfeng Lin**, Guangdong (CN);
Jinsong Fan, Guangdong (CN)

(Continued)

(**) Term: **15 Years**

Primary Examiner — Samantha Q Lawrence

(21) Appl. No.: **29/873,908**

Assistant Examiner — Thanh Luu Wong

(22) Filed: **Apr. 11, 2023**

(57) **CLAIM**

Related U.S. Application Data

The ornamental design for a walking treadmill, as shown and described.

(63) Continuation of application No. 29/869,046, filed on Dec. 20, 2022.

DESCRIPTION

(51) **LOC (14) Cl.** **21-02**

(52) **U.S. Cl.**

USPC **D21/669**

(58) **Field of Classification Search**

USPC D21/662, 668, 669, 686; D30/160;
D14/172, 194

CPC . A63B 22/02; A63B 22/0023; A63B 69/0028;
A63B 22/0207; A63B 2210/50

See application file for complete search history.

FIG. 1 is a front, top perspective view of a walking treadmill, showing our new design;
FIG. 2 is a rear, bottom perspective view thereof;
FIG. 3 is a front elevation view thereof;
FIG. 4 is a rear elevation view thereof;
FIG. 5 is a left side elevation view thereof;
FIG. 6 is a right side elevation view thereof;
FIG. 7 is a top plan view thereof;
FIG. 8 is a bottom plan view thereof;
FIG. 9 is an enlarged view of detail “9” identified in FIG. 1;
FIG. 10 is an enlarged view of detail “10” identified in FIG. 2;
FIG. 11 is an enlarged view of detail “11” identified in FIG. 4; and,
FIG. 12 is an enlarged view of detail “12” identified in FIG. 8.

(56) **References Cited**

U.S. PATENT DOCUMENTS

D819,592 S *	6/2018	Folkmann	D14/149
D907,722 S *	1/2021	Fang	D21/669
D908,817 S *	1/2021	Wang	D21/669
D910,123 S *	2/2021	Li	D21/669
D919,719 S *	5/2021	Ren	D21/669

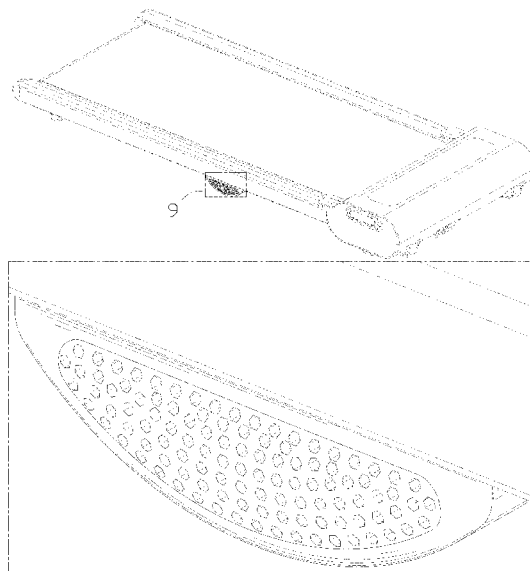
(Continued)

FOREIGN PATENT DOCUMENTS

CN	307898683	*	3/2023
EM	008521066-0001	*	4/2021

(Continued)

1 Claim, 12 Drawing Sheets



(56)

References Cited

U.S. PATENT DOCUMENTS

D934,353	S	*	10/2021	Hu	D21/669
D935,537	S	*	11/2021	Wang	D21/669
D944,902	S		3/2022	Jiang		
D947,298	S	*	3/2022	Ren	D21/669
D952,064	S	*	5/2022	Pan	D21/669
D952,768	S	*	5/2022	Hu	D21/669
D952,769	S	*	5/2022	Hu	D21/669
D975,803	S	*	1/2023	Li	D21/669
2015/0202487	A1	*	7/2015	Wu	A63B 22/02 482/54
2016/0082309	A1	*	3/2016	Wu	A63B 22/0207 482/54
2016/0256734	A1	*	9/2016	Murray	A63B 22/0069
2020/0188728	A1	*	6/2020	Ma	A63B 22/0214
2021/0275860	A1	*	9/2021	Tseng	A63B 21/4035

FOREIGN PATENT DOCUMENTS

EM	009189442-0001	*	9/2022
EM	015006741-0001	*	12/2022
EM	015009106-0001	*	2/2023
GB	6255373	*	1/2023
GB	6274982	*	4/2023
TW	106319-0001	*	9/2005

OTHER PUBLICATIONS

Urevo Under Desk Treadmill, amazon.ca, first available Mar. 17, 2023 [online], [site visited Apr. 13, 2023], Available from internet, URL: <https://www.amazon.ca/UREVO-Treadmill-Walking-Portable-Capacity/dp/B0BVQMSVM1> (Year: 2023).*

Urevo Under Desk Treadmill Walking Pad 2.25HP, amazon.com, first available Jun. 2, 2022 [online], [site visited Apr. 13, 2023], Available from internet, URL: <https://www.amazon.com/UREVO-Treadmill-Walking-Capacity-Control/dp/B0B2ZK7NDB> (Year: 2022).*

Gymax 3 in 1 Under Desk Treadmill, amazon.com, [online], [site visited Apr. 13, 2023], Available from internet, URL: <https://www.amazon.com/GYMAX-Treadmill-Folding-Removable-Programs/dp/B09X343QYK?th=1> (Year: 2023).*

Space Saving Motorised Treadmill Walking Machine with LCD Display, us.homefitnesscode.com, [online], [site visited Apr. 13, 2023], Available from internet, URL: <https://us.homefitnesscode.com/collections/treadmills/products/motorised-treadmill-with-lcd-display> (Year: 2023).*

Rhythm Fun Treadmill, amazon.com, first available Sep. 15, 2019 [online], [site visited Apr. 13, 2023], Available from internet, URL: <https://www.amazon.com/dp/B07V7F8QYK/> (Year: 2019).*

Borgusi 2 in 1 Under Desk Treadmill, amazon.com, first available Jan. 29, 2023 [online], [site visited Mar. 13, 2023], Available from internet, URL: <https://www.amazon.com/BORGUSI-Treadmill-Bluetooth-Electric-Programs/dp/B0BTBJRNWH> (Year: 2023).*

Timetook Under Desk Treadmill, amazon.com, first available Sep. 3, 2022 [online], [site visited Mar. 21, 2023], Available from internet, URL: <https://www.amazon.com/dp/B0BCZFXQTP> (Year: 2022).*

Defiance Tour-Pak Speaker Grills, harley-davidson.com, [online], [site visited Jun. 5, 2023], Available from internet, URL: <https://www.harley-davidson.com/us/en/shop/defiance-tour-pak-speaker-grills/p/76000676> (Year: 2023).*

BibiCola Semi circular pet cat litter mat, walmart.com, [online], [site visited Jun. 5, 2023], Available from internet, URL: <https://www.walmart.com/ip/Semi-circular-EVA-double-layer-honeycomb-environmentally-friendly-pet-cat-litter-mat/449512209> (Year: 2023).*

* cited by examiner

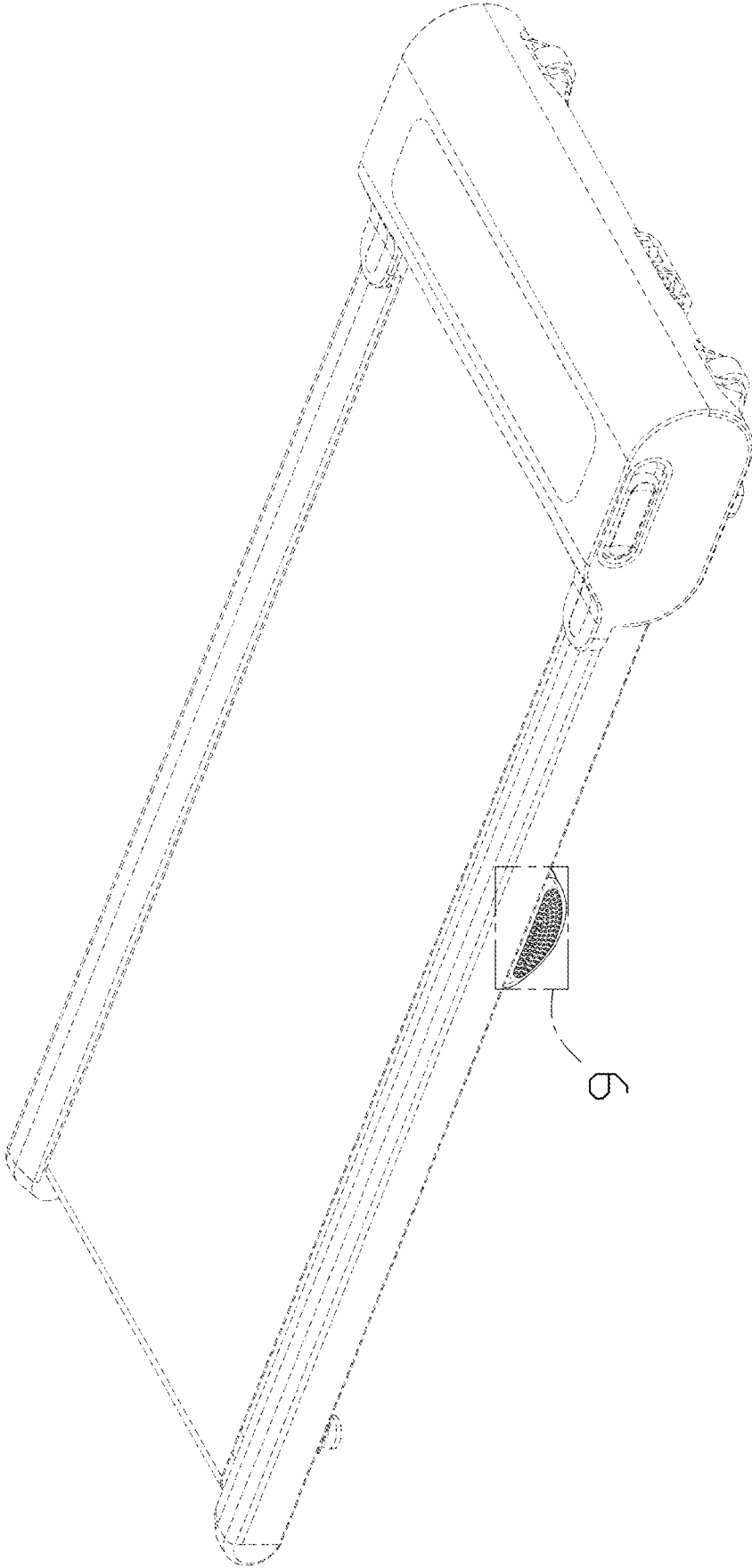


FIG. 1

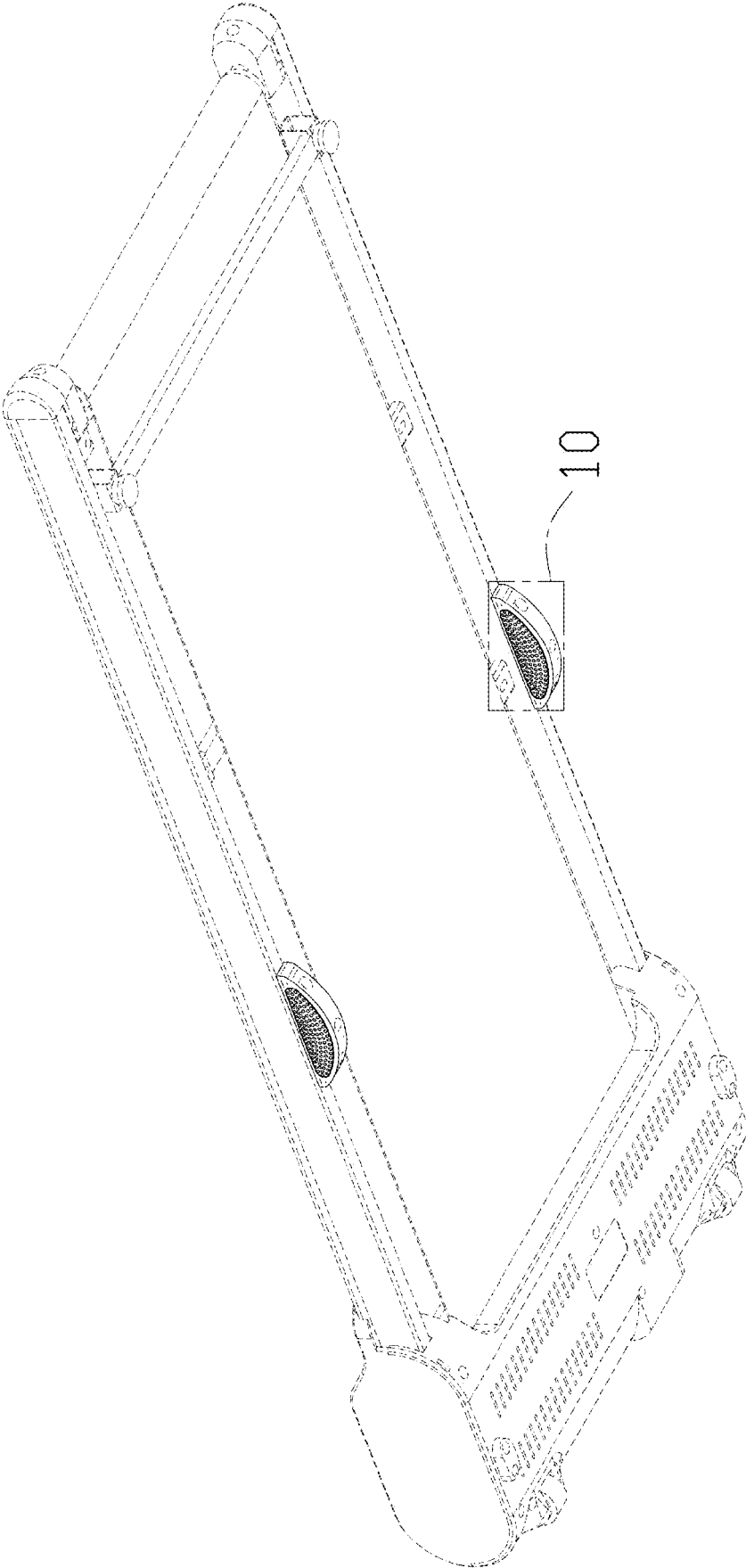


FIG. 2

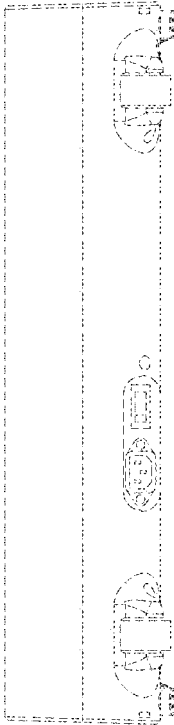


FIG. 3

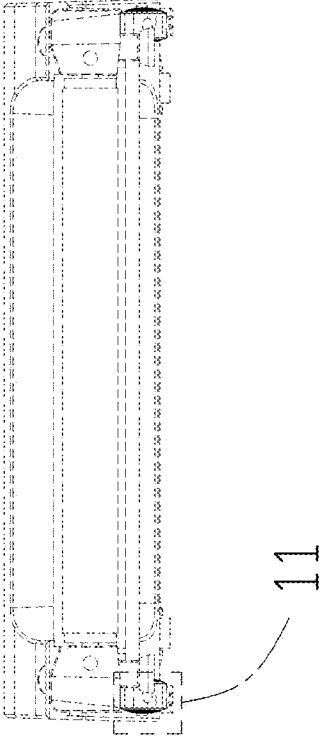


FIG. 4

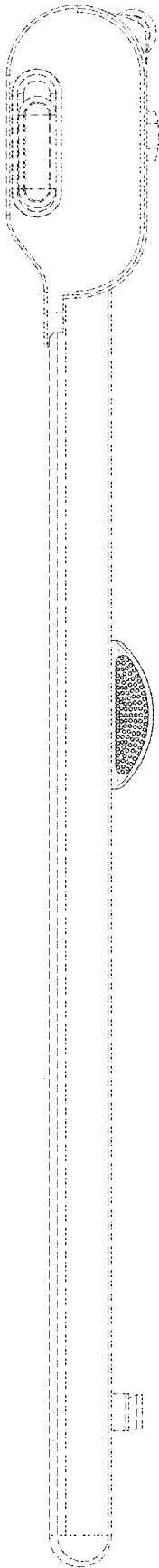


FIG. 5

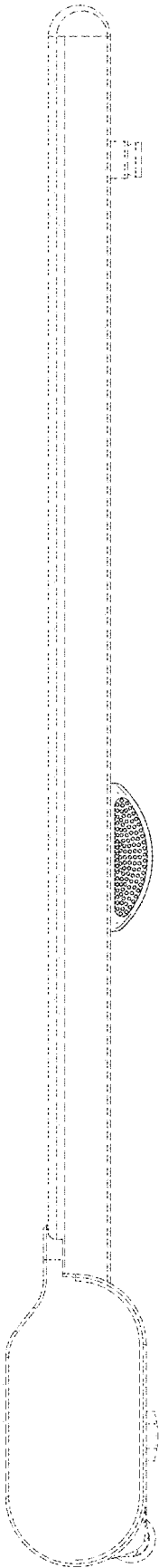


FIG. 6

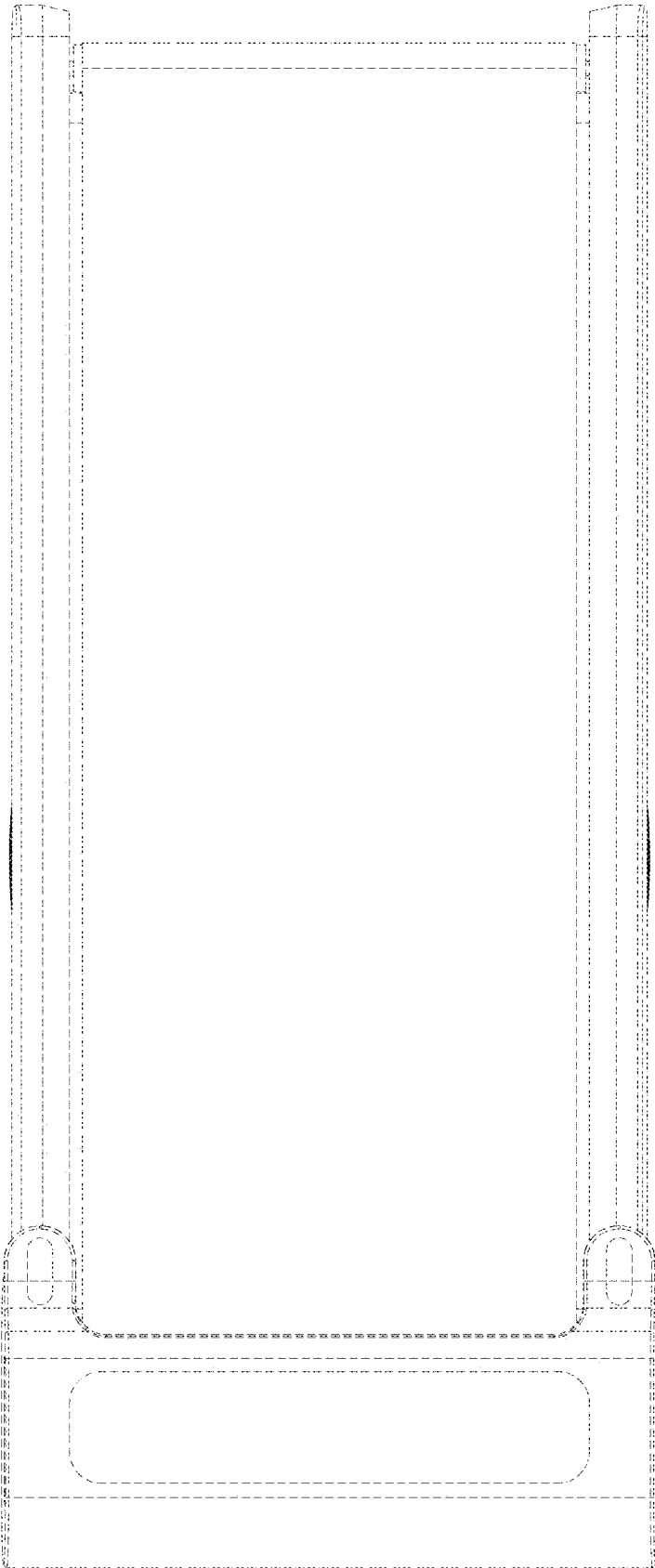


FIG. 7

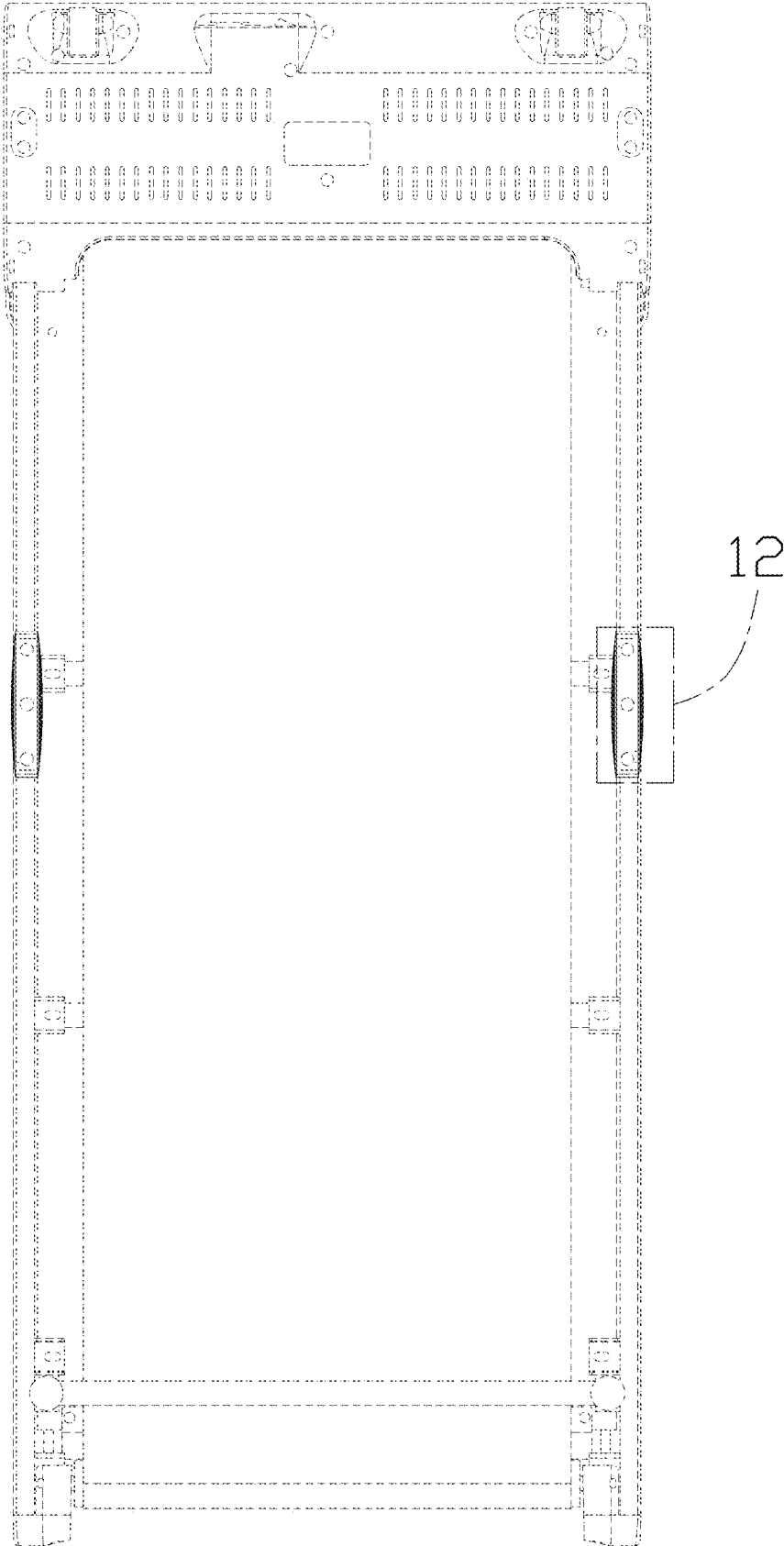


FIG. 8

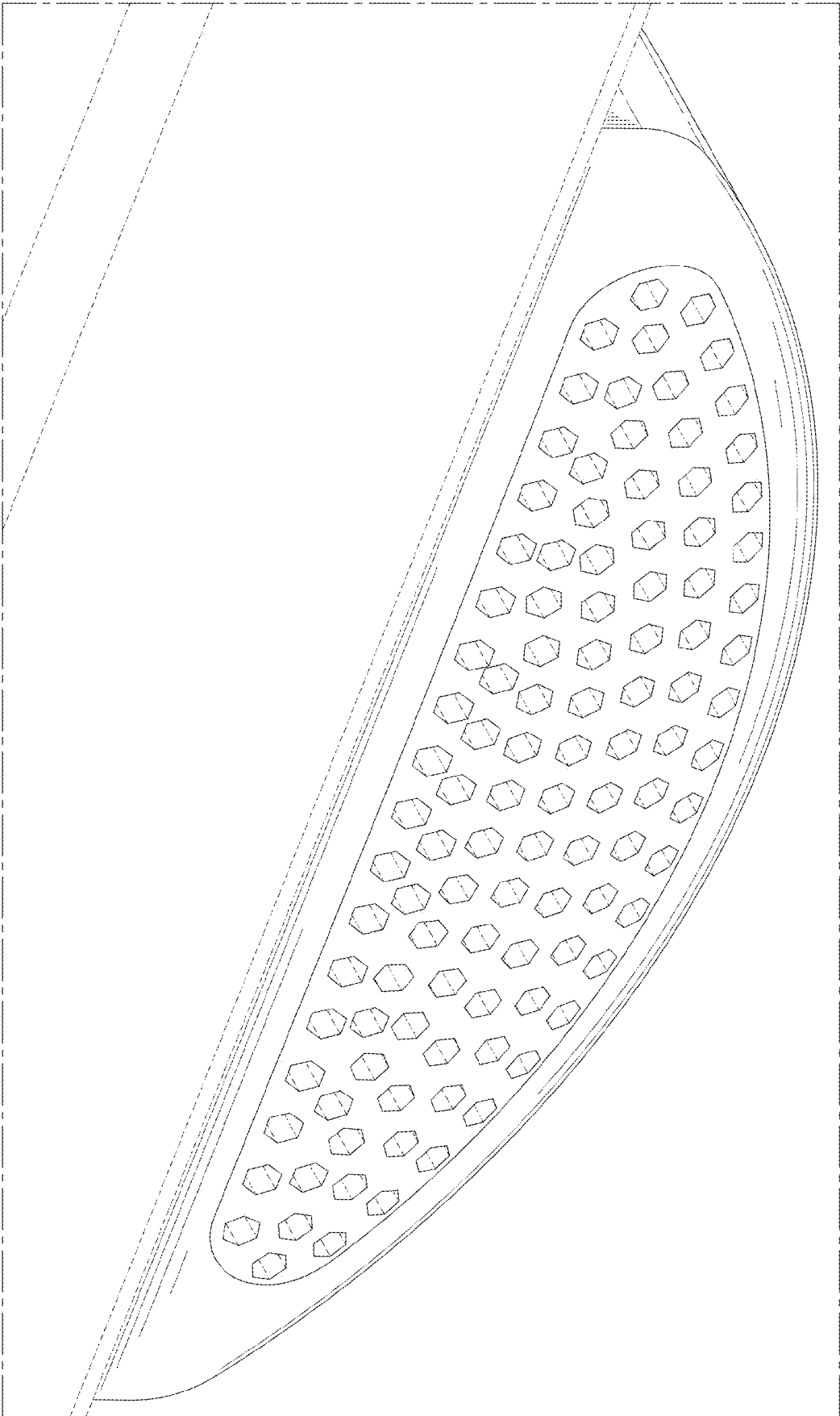


FIG. 9

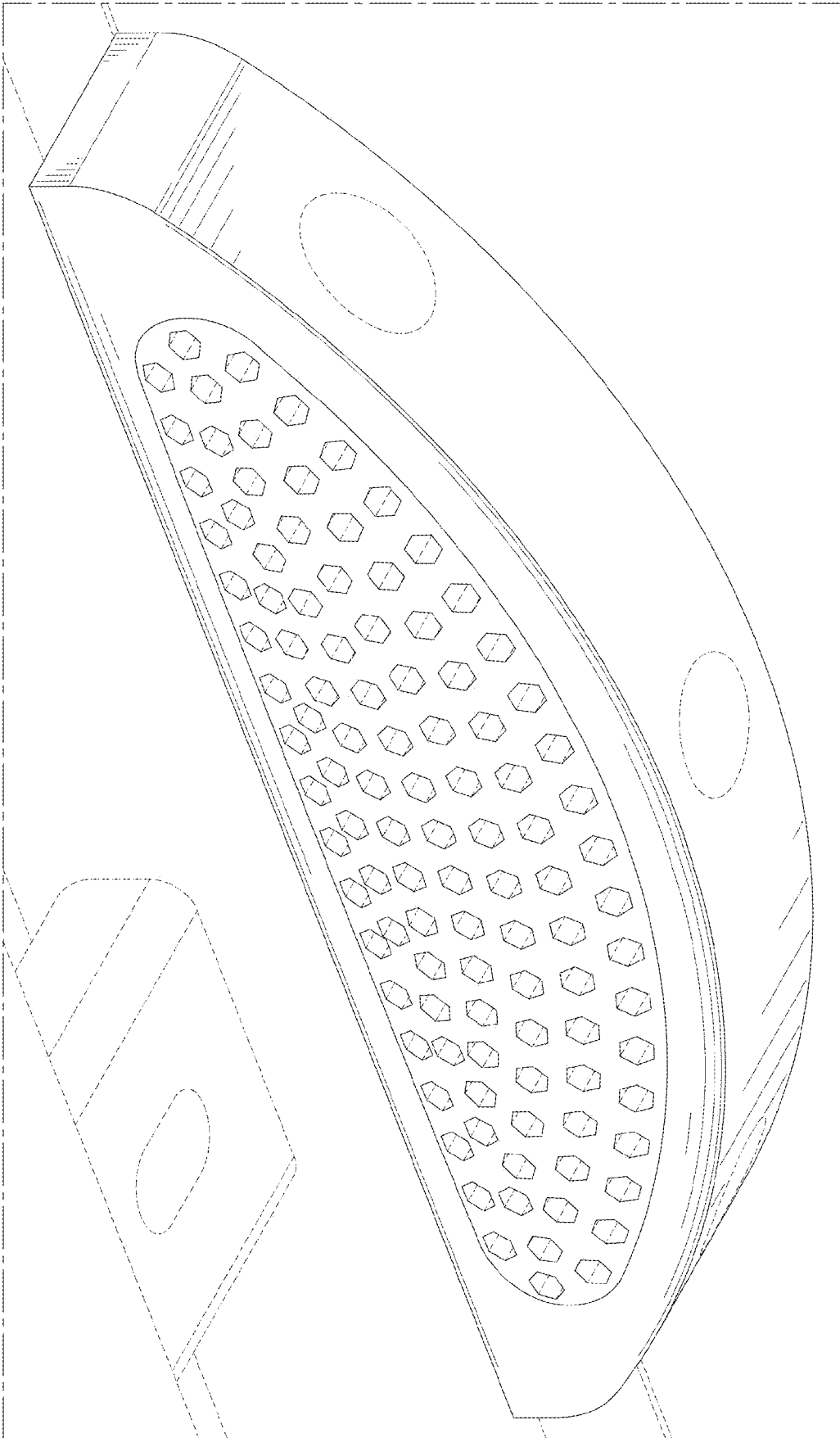


FIG. 10

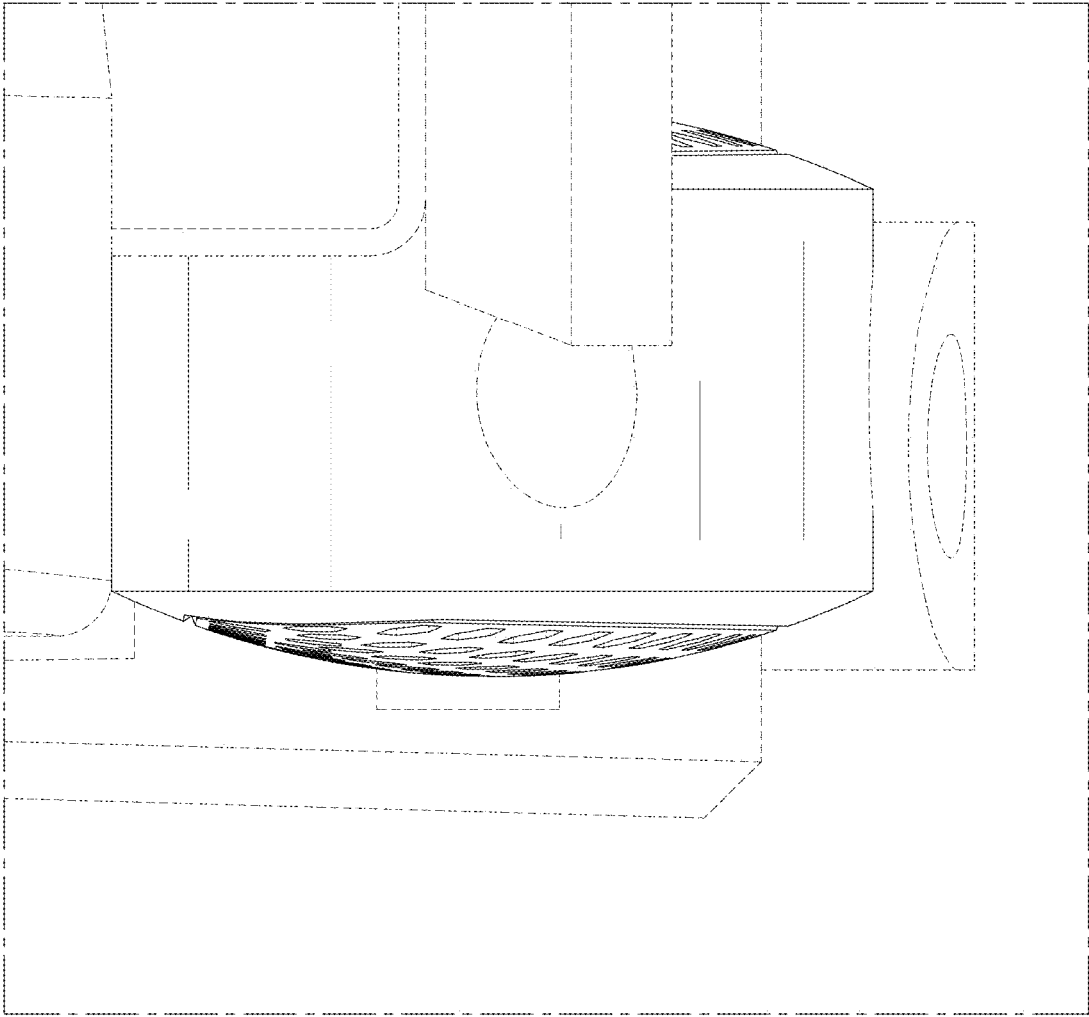


FIG. 11

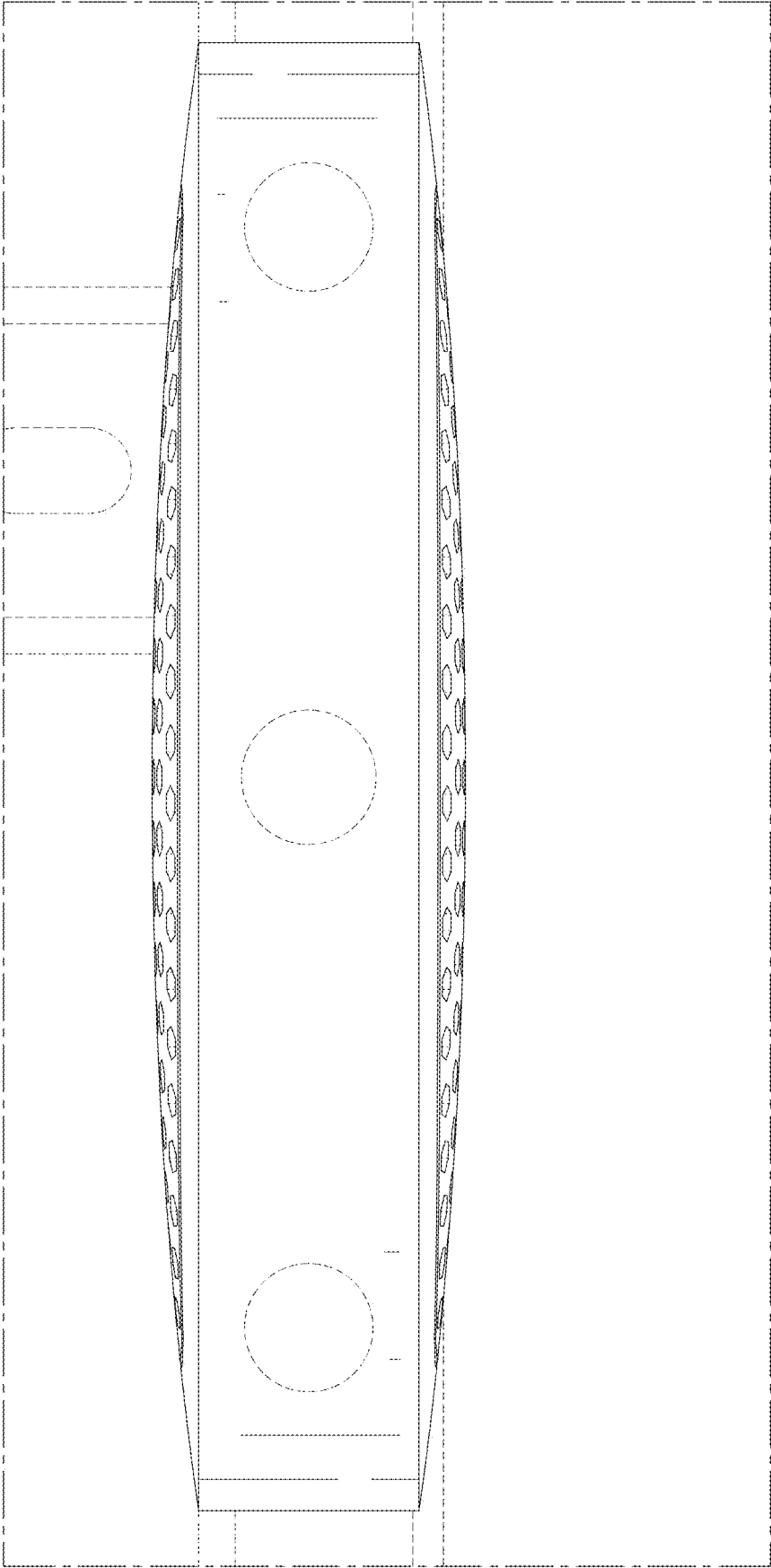


FIG. 12