



US00D733920S

(12) **United States Design Patent**  
**Oliviusson et al.**

(10) **Patent No.:** **US D733,920 S**

(45) **Date of Patent:** **\*\* Jul. 7, 2015**

(54) **ELECTROPHORESIS BUFFER PAD HOLDER**

(71) Applicant: **GE HEALTHCARE BIO-SCIENCES AB**, Uppsala (SE)

(72) Inventors: **Peter Mats Oliviusson**, Uppsala (SE); **Tomas Haukkala**, Uppsala (SE); **Kjell Larsson**, Uppsala (SE); **Peter Jacobsson**, Vasteras (SE)

(73) Assignee: **GE Healthcare Bio-Sciences AB**, Uppsala (SE)

(\*\*) Term: **14 Years**

(21) Appl. No.: **29/490,765**

(22) Filed: **May 13, 2014**

(30) **Foreign Application Priority Data**

Nov. 26, 2013 (EM) ..... 002351973-0001

(51) **LOC (10) Cl.** ..... **24-01**

(52) **U.S. Cl.**  
USPC ..... **D24/233**

(58) **Field of Classification Search**  
USPC ..... D24/233, 216, 224, 231-232, 127-128;  
204/600, 602, 615-616, 619-620, 456,  
204/465, 466

See application file for complete search history.

(56) **References Cited**

U.S. PATENT DOCUMENTS

D303,012 S *	8/1989	Flesher et al. ....	D24/233
5,106,477 A *	4/1992	Coleman .....	204/616
5,626,735 A *	5/1997	Chu .....	204/616
5,989,400 A *	11/1999	Islam .....	204/466
D435,665 S *	12/2000	Ogle .....	D24/233
6,689,267 B2 *	2/2004	Audeh .....	204/616

\* cited by examiner

*Primary Examiner* — Wan Laymon

(74) *Attorney, Agent, or Firm* — Sutherland Asbill & Brennan LLP

(57) **CLAIM**

The ornamental design for an electrophoresis buffer pad holder, as shown and described.

**DESCRIPTION**

FIG. 1 is a front perspective view of an electrophoresis buffer pad holder according to the design.

FIG. 2 is a front view thereof.

FIG. 3 is a bottom view thereof.

FIG. 4 is a top view thereof.

FIG. 5 is a back view thereof.

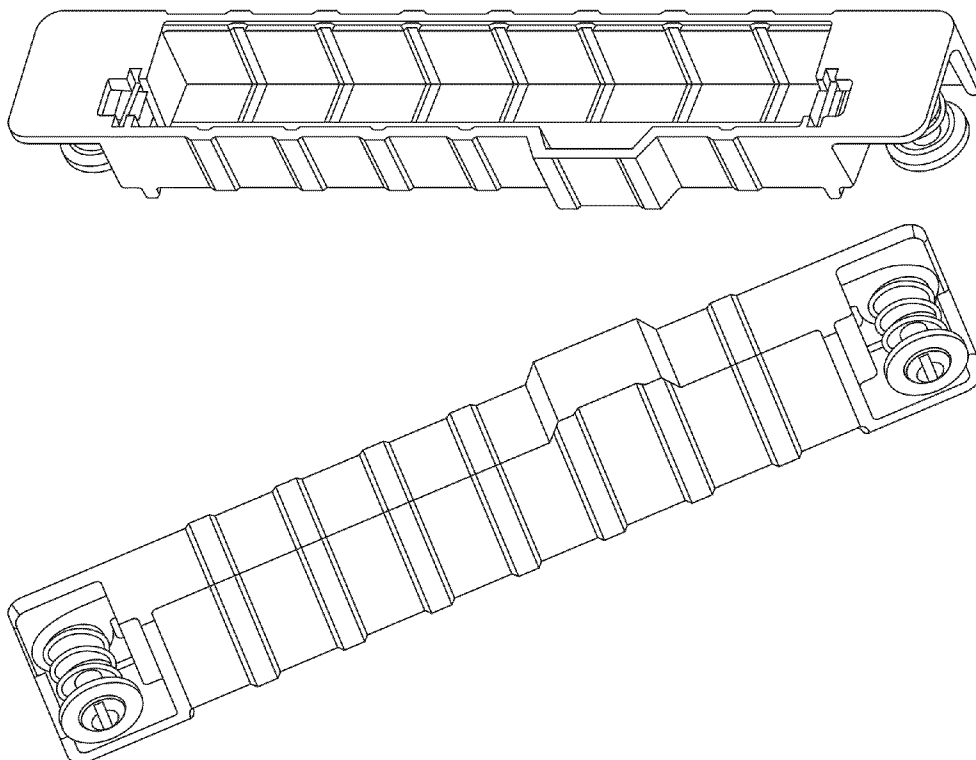
FIG. 6 is a right side view thereof.

FIG. 7 is a left side view thereof.

FIG. 8 is a back perspective view thereof; and,

FIG. 9 is a top perspective view thereof.

**1 Claim, 9 Drawing Sheets**



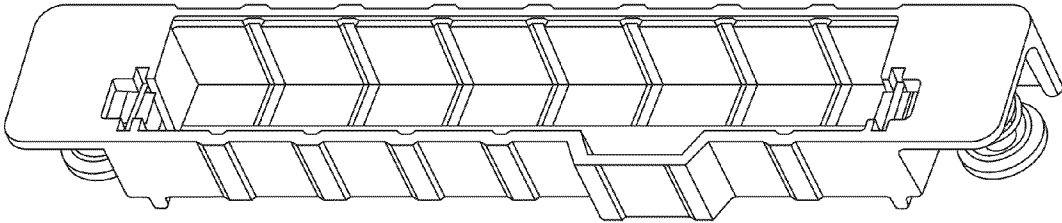


FIG. 1

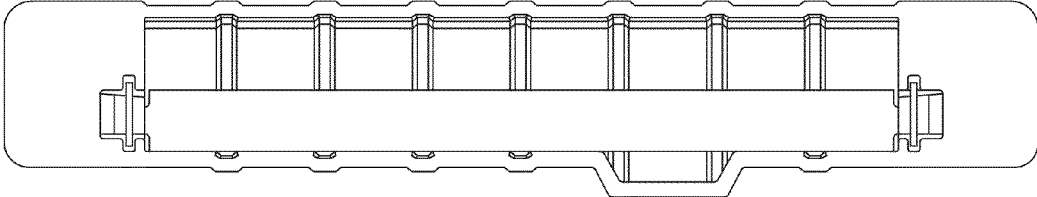


FIG. 2

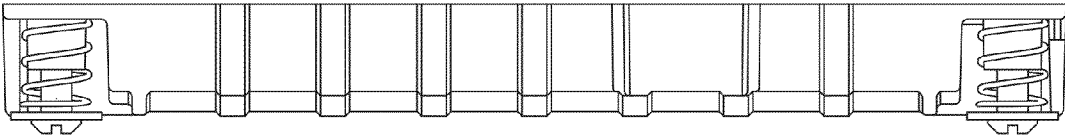


FIG. 3

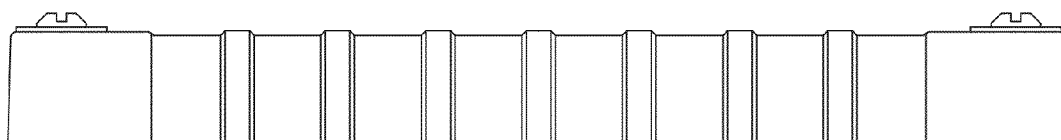


FIG. 4

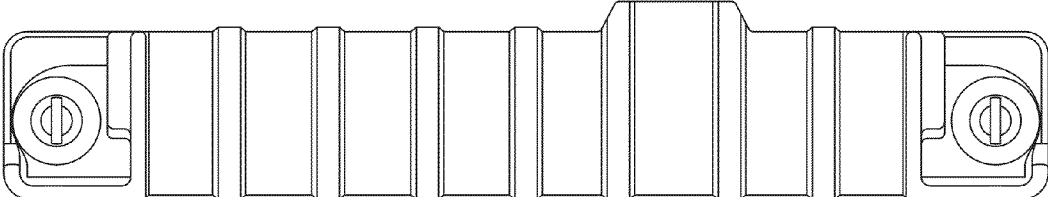


FIG. 5

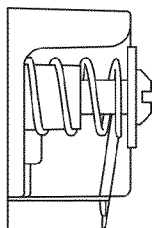


FIG. 6

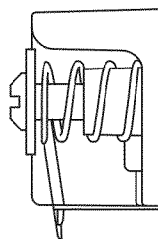


FIG. 7



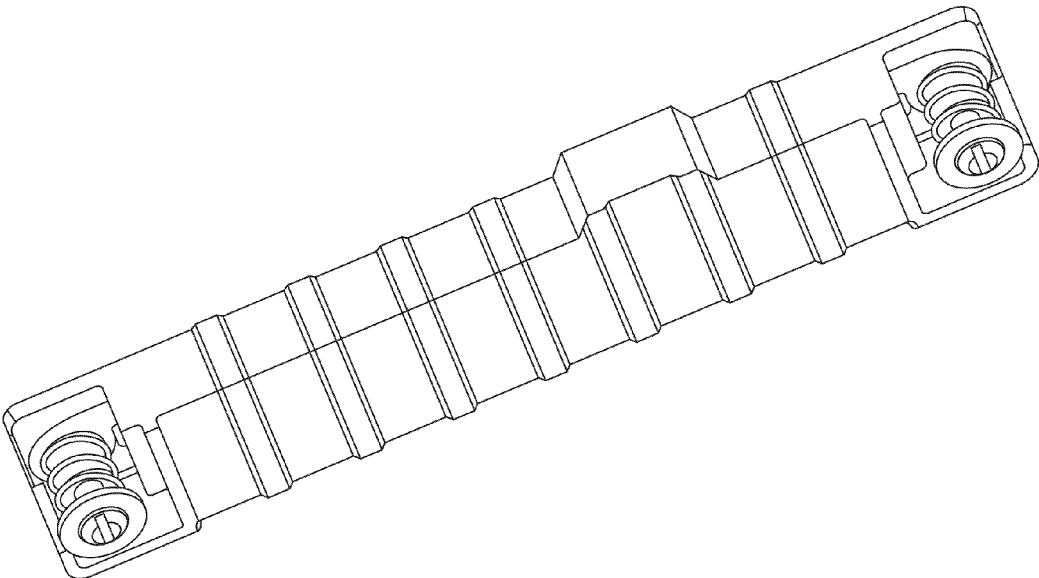


FIG. 8

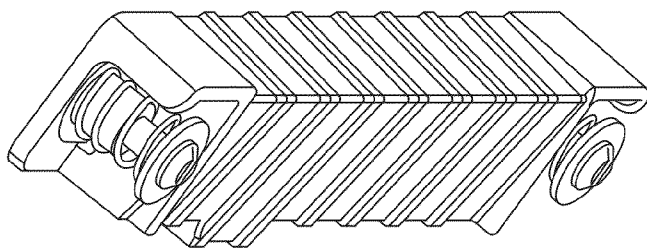


FIG. 9