



US00D883060S

(12) **United States Design Patent**  
**Hyma et al.**

(10) **Patent No.:** **US D883,060 S**

(45) **Date of Patent:** **\*\* May 5, 2020**

(54) **WRENCH SET HOLDER AND DISPLAY**

FOREIGN PATENT DOCUMENTS

(71) Applicant: **MILWAUKEE ELECTRIC TOOL CORPORATION**, Brookfield, WI (US)

CN 2292003 Y 9/1998  
CN 2334552 Y 8/1999

(Continued)

(72) Inventors: **Steven W. Hyma**, Milwaukee, WI (US); **Scott M. Hangartner**, Hartland, WI (US); **Joseph M. DeBaker**, Greenfield, WI (US)

OTHER PUBLICATIONS

Taiwan Patent Office Action for Application No. 103305336 dated Feb. 23, 2018 (4 pages including Statement of Relevance).

(Continued)

(73) Assignee: **Milwaukee Electric Tool Corporation**, Brookfield, WI (US)

*Primary Examiner* — Keli L Hill

*Assistant Examiner* — Harold E Blackwell, II

(74) *Attorney, Agent, or Firm* — Reinhart Boerner Van Deuren s.c.

(\*\*) Term: **15 Years**

(21) Appl. No.: **29/677,663**

(22) Filed: **Jan. 23, 2019**

(57) **CLAIM**

We claim the ornamental design for a wrench set holder and display, as shown and described.

**Related U.S. Application Data**

(63) Continuation of application No. 29/597,077, filed on Mar. 14, 2017, now abandoned.

(51) **LOC (12) Cl.** ..... **08-71**

(52) **U.S. Cl.** ..... **D8/71**

USPC ..... **D8/71**

(58) **Field of Classification Search**

USPC ..... D8/71; 206/349, 372, 373, 376, 378, 206/565; D3/315, 905, 276, 228  
CPC ..... B25H 3/04; B25H 1/10; A47F 1/00  
See application file for complete search history.

**DESCRIPTION**

FIG. 1 is a perspective view of a wrench set holder and display according to the invention.

FIG. 2 is a front side view of the wrench set holder and display shown in FIG. 1.

FIG. 3 is a back side view of the wrench set holder and display shown in FIG. 1.

FIG. 4 is a right side view of the wrench set holder and display shown in FIG. 1.

FIG. 5 is a left side view of the wrench set holder and display shown in FIG. 1.

FIG. 6 is a top side view of the wrench set holder and display shown in FIG. 1; and,

FIG. 7 is a bottom side view of the wrench set holder and display shown in FIG. 1.

The elements shown in broken lines are included for the purpose of illustrating environment and form no part of the claimed design. Any broken lines having unequal line segments illustrate the boundary of the claimed design.

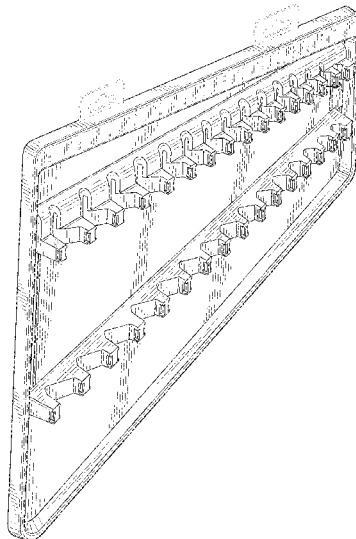
(56) **References Cited**

U.S. PATENT DOCUMENTS

4,911,297 A \* 3/1990 Suburu ..... B25B 13/56  
206/372  
5,598,924 A 2/1997 McCann  
5,638,964 A 6/1997 Ernst  
D412,617 S \* 8/1999 Kopala, Jr. .... D3/315  
5,931,299 A 8/1999 Hsieh

(Continued)

**1 Claim, 5 Drawing Sheets**



(56)

References Cited

U.S. PATENT DOCUMENTS

D433,613 S \* 11/2000 Jialin ..... D8/71  
 6,315,121 B1 \* 11/2001 Hansen ..... B25H 3/04  
 206/376  
 6,857,527 B2 \* 2/2005 Hu ..... A47F 7/0028  
 206/478  
 7,080,733 B2 \* 7/2006 Kao ..... B25H 3/04  
 206/372  
 D541,612 S \* 5/2007 Lin ..... D3/905  
 7,537,124 B2 \* 5/2009 Chen ..... B25H 3/04  
 211/70.6  
 7,584,845 B2 9/2009 Cheng  
 7,987,975 B1 \* 8/2011 Lee ..... B25H 3/04  
 206/376  
 7,987,981 B1 8/2011 Lee  
 8,038,020 B2 \* 10/2011 Vecchio ..... B25H 3/04  
 206/376  
 D652,280 S \* 1/2012 Huang ..... D8/71  
 8,261,911 B2 \* 9/2012 Lee ..... B25H 3/04  
 206/372  
 8,403,155 B1 \* 3/2013 Kao ..... B25H 3/04  
 206/376  
 8,408,388 B1 \* 4/2013 Chen ..... B65D 25/103  
 206/376  
 D710,668 S \* 8/2014 Wu ..... D8/71  
 D734,612 S \* 7/2015 Liu ..... D3/315  
 2002/0070185 A1 \* 6/2002 Chen ..... A47F 7/0028  
 211/70.6  
 2005/0051446 A1 \* 3/2005 Chen ..... B25H 3/04  
 206/376

2005/0082323 A1 4/2005 O'Hair  
 2006/0118500 A1 6/2006 Chen  
 2010/0163502 A1 \* 7/2010 Chang ..... B25H 3/04  
 211/70.6  
 2012/0138497 A1 \* 6/2012 Lee ..... B25H 3/04  
 206/376  
 2016/0121478 A1 5/2016 Schein et al.

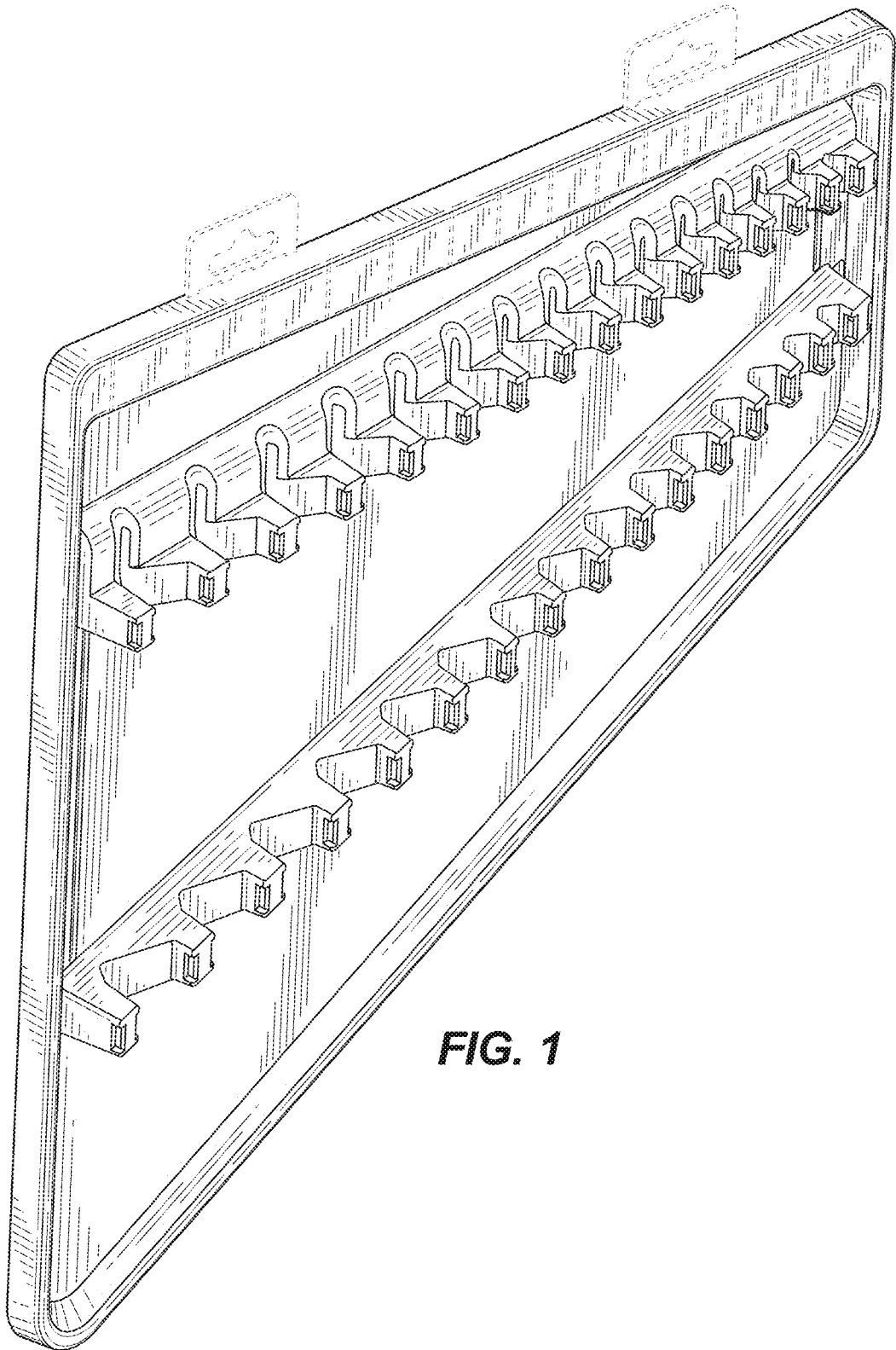
FOREIGN PATENT DOCUMENTS

CN 205614630 U 10/2016  
 DE 202010008854 U1 3/2011  
 DE 202010013102 U1 3/2011  
 DE 202011000052 U1 4/2011  
 DE 102011056947 B4 11/2014  
 FR 2996159 B1 2/2015  
 TW 376010 U 12/1991  
 TW 284657 8/1996  
 TW 293746 12/1996  
 TW 446514 7/2001  
 TW 200918261 A 5/2009  
 TW I374076 B 10/2012  
 TW I374077 B 10/2012  
 TW I374078 B 10/2012

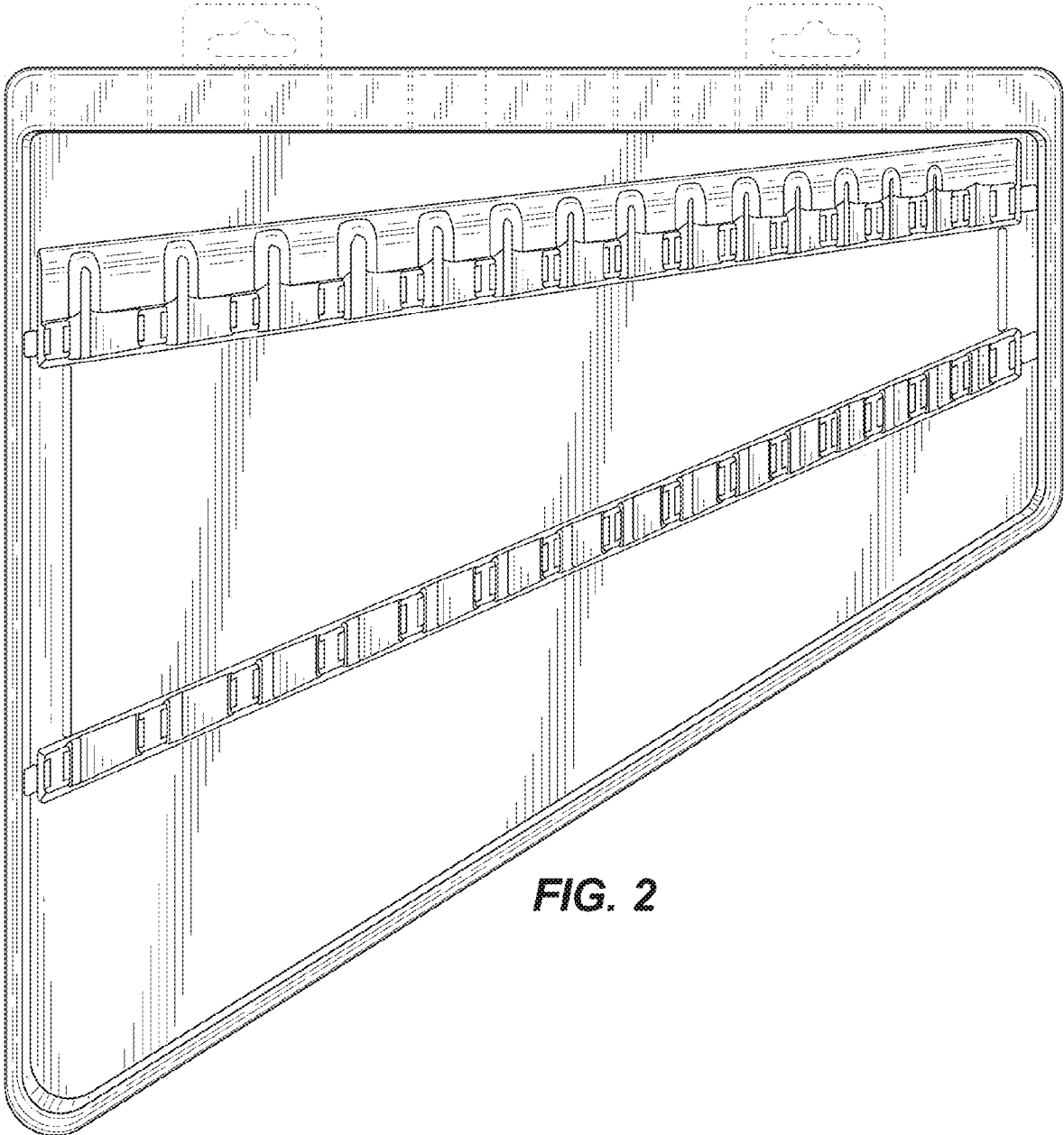
OTHER PUBLICATIONS

Taiwan Patent Office Action for Application No. 103305337 dated Feb. 23, 2018 (4 pages including Statement of Relevance).

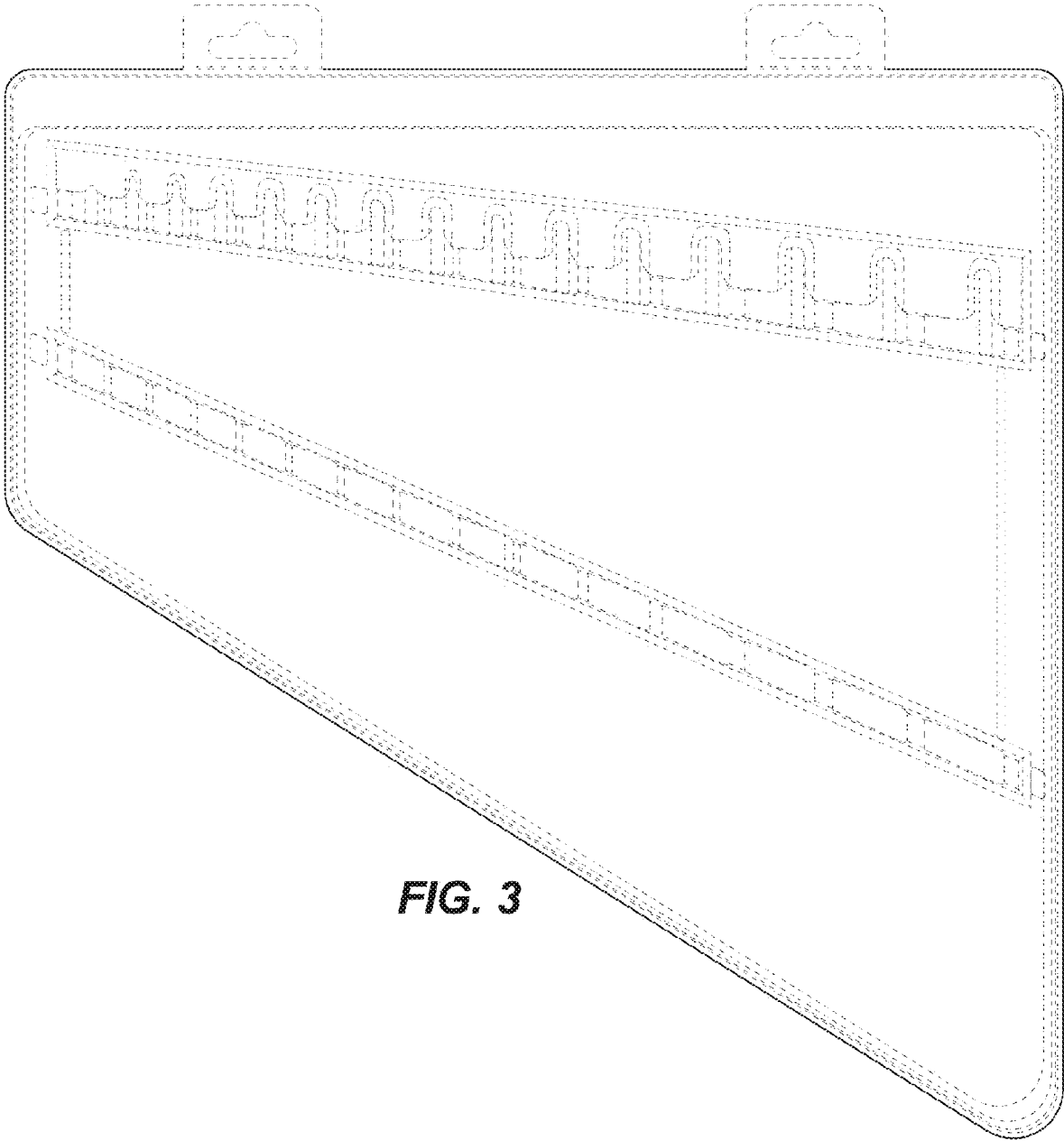
\* cited by examiner



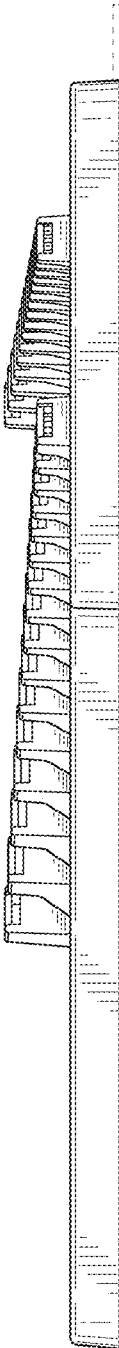
**FIG. 1**



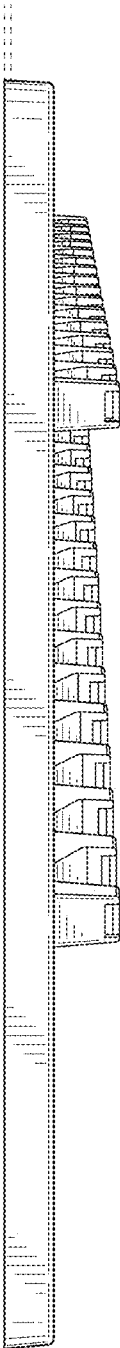
**FIG. 2**



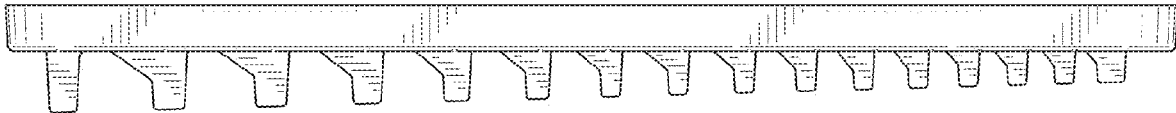
**FIG. 3**



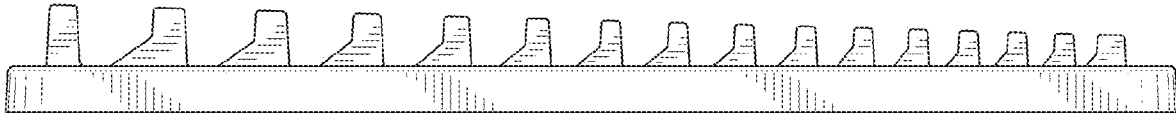
**FIG. 4**



**FIG. 5**



**FIG. 6**



**FIG. 7**