



US00D587698S

(12) **United States Design Patent**  
**Framo**

(10) **Patent No.:** **US D587,698 S**

(45) **Date of Patent:** **\*\* Mar. 3, 2009**

(54) **SANITIZING PHONE PAD**

(76) Inventor: **Vincent Framo**, 650 Weiler La.,  
Absecon, NJ (US) 08201

(\*\*) Term: **14 Years**

(21) Appl. No.: **29/271,132**

(22) Filed: **Jan. 10, 2007**

(51) **LOC (9) Cl.** ..... **14-03**

(52) **U.S. Cl.** ..... **D14/250**

(58) **Field of Classification Search** ..... D14/140,  
D14/142, 240, 249, 250, 205-206, 223, 137,  
D14/251, 253, 138 R, 138 AA; D6/300,  
D6/309, 610, 595-596, 601, 611, 613; 455/575.8;  
379/446-447, 452, 433.11, 439, 440, 437;  
D22/110; D24/189, 188; D32/40; D5/63,  
D5/81; 15/209.1, 229.14, 118; D3/273,  
D3/280, 288, 215, 218

See application file for complete search history.

(56) **References Cited**

**U.S. PATENT DOCUMENTS**

3,148,249	A	*	9/1964	King	.....	379/452
3,169,171	A	*	2/1965	Wachs et al.	.....	379/452
D216,891	S	*	3/1970	Onuki	.....	D14/249
D291,306	S	*	8/1987	Espinosa	.....	D14/249
4,819,264	A	*	4/1989	Lemley	.....	379/452
D307,275	S	*	4/1990	Pollard	.....	D14/249
D307,753	S	*	5/1990	Oliver	.....	D14/249
5,054,063	A		10/1991	Lo et al.		
D358,396	S	*	5/1995	Holbeck	.....	D14/250
D371,136	S	*	6/1996	Horowitz	.....	D14/250

5,550,918	A		8/1996	Zdanov		
D380,477	S	*	7/1997	Williams et al.	.....	D14/250
5,862,215	A	*	1/1999	Garriette	.....	379/452
6,314,185	B1	*	11/2001	Lashley	.....	379/452
6,560,335	B2		5/2003	Zohn et al.		
D484,123	S	*	12/2003	Petry	.....	D14/250
D532,240	S	*	11/2006	Pressler	.....	D6/601
2003/0147528	A1	*	8/2003	Pfaff	.....	379/451

\* cited by examiner

*Primary Examiner*—Ian Simmons  
*Assistant Examiner*—Wan Laymon

(57) **CLAIM**

The ornamental design for a sanitizing phone pad, as shown and described.

**DESCRIPTION**

FIG. 1 is a perspective view of a sanitizing phone pad showing my new design;

FIG. 2 is an enlarged perspective view of one pad shown in FIG. 1 thereof;

FIG. 3 is a top plan view thereof;

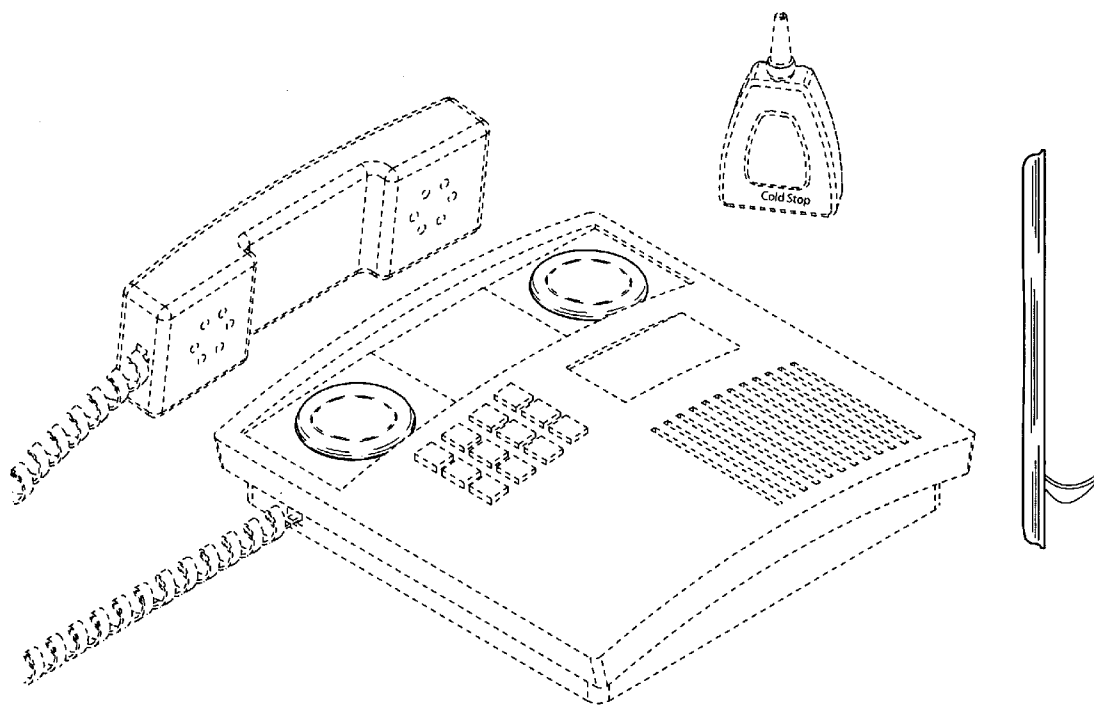
FIG. 4 is a side elevational view thereof with the adhesive layer partially peeled away;

FIG. 5 is a bottom plan view thereof; and,

FIG. 6 is an enlarged front elevational view thereof.

The broken lines showing the telephone, receiver, bottom, and the cord are included for the purpose of illustrating environmental structure and form no part of the claimed design.

**1 Claim, 4 Drawing Sheets**



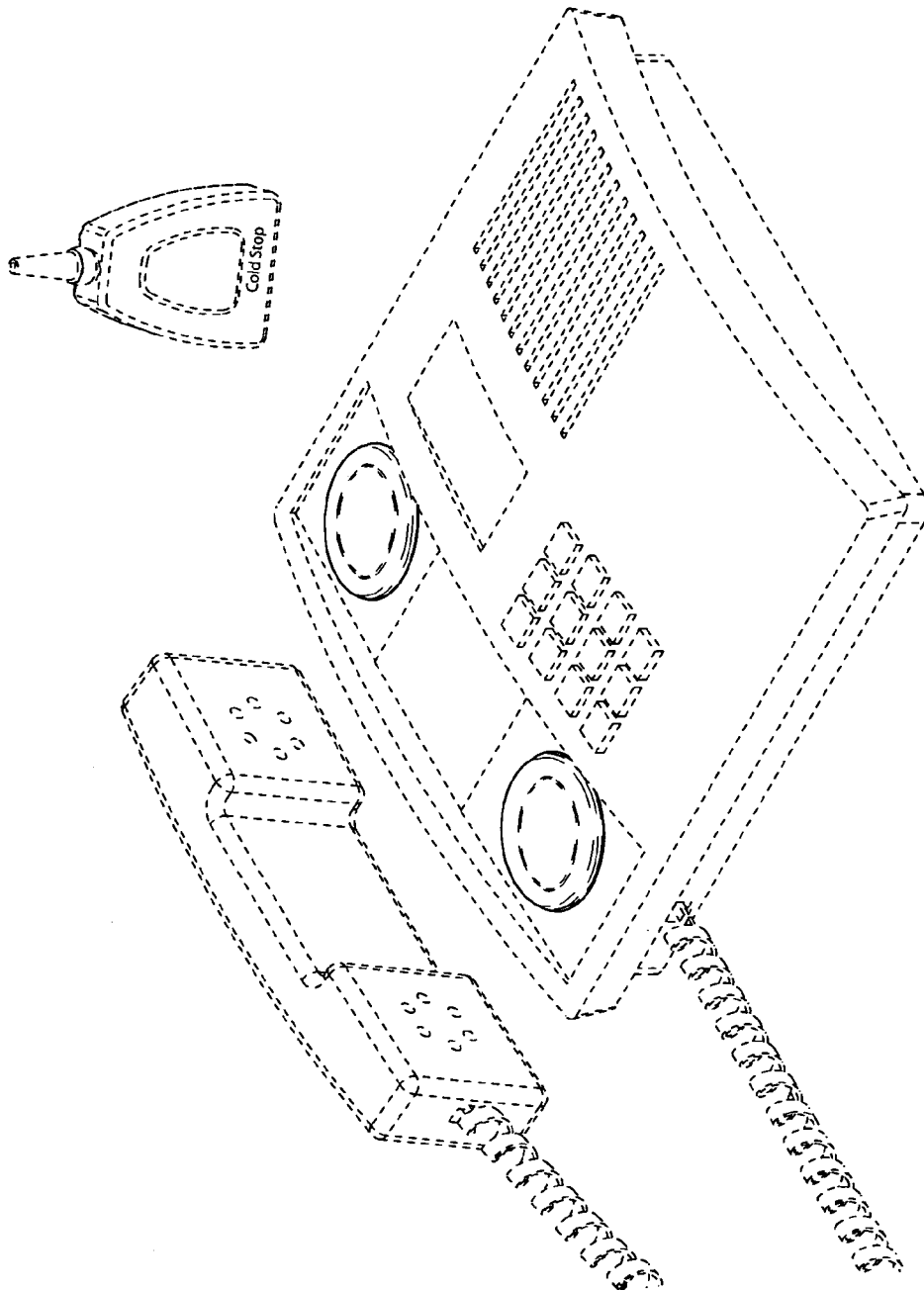


FIG. 1

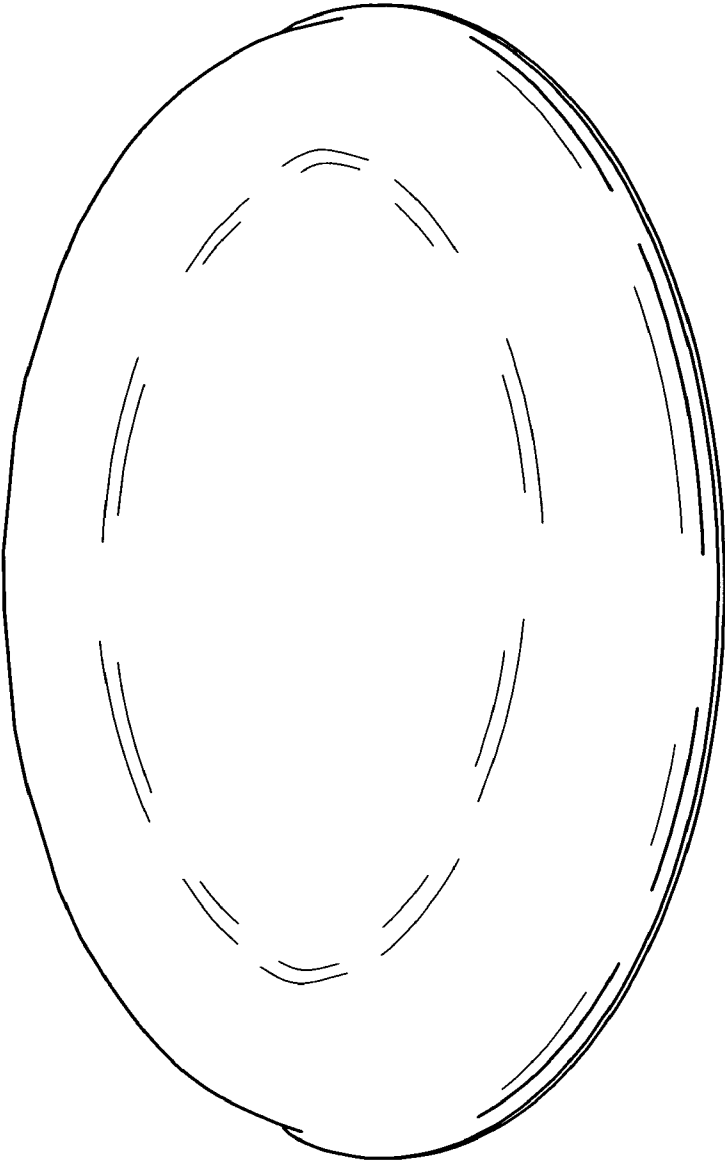


FIG. 2

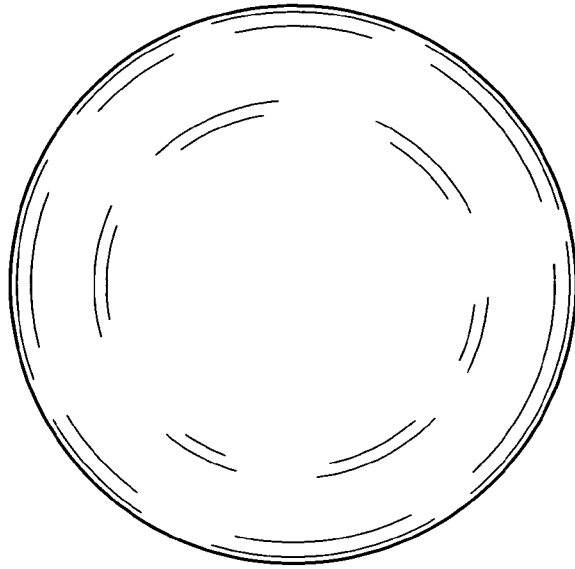


FIG. 3

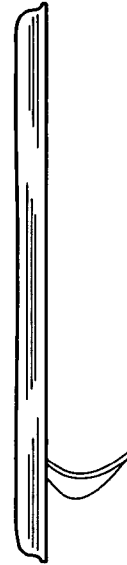


FIG. 4

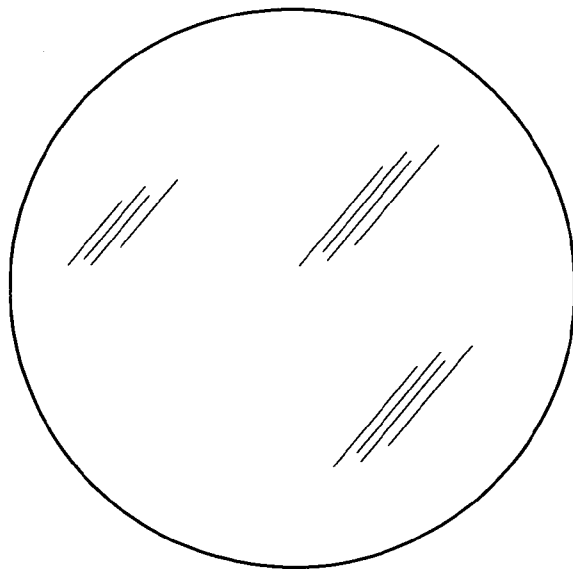


FIG. 5

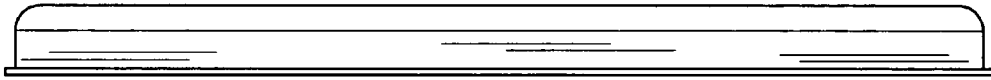


FIG. 6