

[54] STORAGE UNIT

[75] Inventor: Keiichi Yoshizawa, Chiba, Japan  
[73] Assignee: TDK Electronics Co., Ltd., Tokyo, Japan

[\*\*] Term: 14 Years

[21] Appl. No.: 966,957

[22] Filed: Dec. 6, 1978

[30] Foreign Application Priority Data

Jun. 8, 1978 [JP] Japan ..... 53-23527

[51] Int. Cl. .... D06-04

[52] U.S. Cl. .... D6/186

[58] Field of Search ..... D6/1, 181, 186, 130; D8/499; D11/13, 93; D26/65; 312/282

[56] References Cited

U.S. PATENT DOCUMENTS

D. 179,616 1/1957 Steidel ..... D6/186  
D. 249,607 9/1978 Goldman et al. .... D6/130  
1,032,054 7/1912 Fanning ..... 312/282

OTHER PUBLICATIONS

*Domus* #463 Jun. 1968, p. 49, Shelf Arrangements on bottom left of page.

*Primary Examiner*—Joel Stearman  
*Assistant Examiner*—Carmen H. Vales  
*Attorney, Agent, or Firm*—Neuman, Williams, Anderson & Olson

CLAIM

[57] The ornamental design for a storage unit, as shown and described.

DESCRIPTION

FIG. 1 is a perspective view of a storage unit showing my new design in closed position; FIG. 2 is a perspective view of the storage unit of FIG. 1 in extended position; FIG. 3 is a top plan view of the storage unit of FIG. 1; FIG. 4 is a front elevational view thereof; FIG. 5 is a bottom plan view thereof; FIG. 6 is a left end elevational view thereof; and FIG. 7 is a right end elevational view thereof.

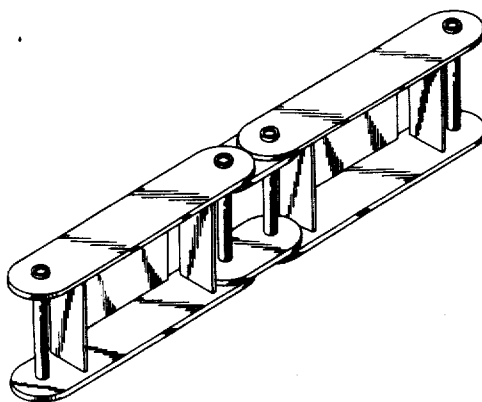
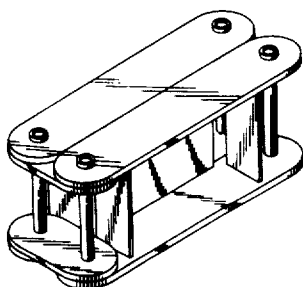


FIG. 1

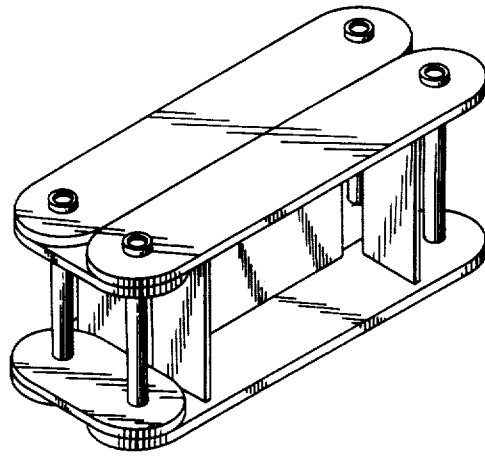
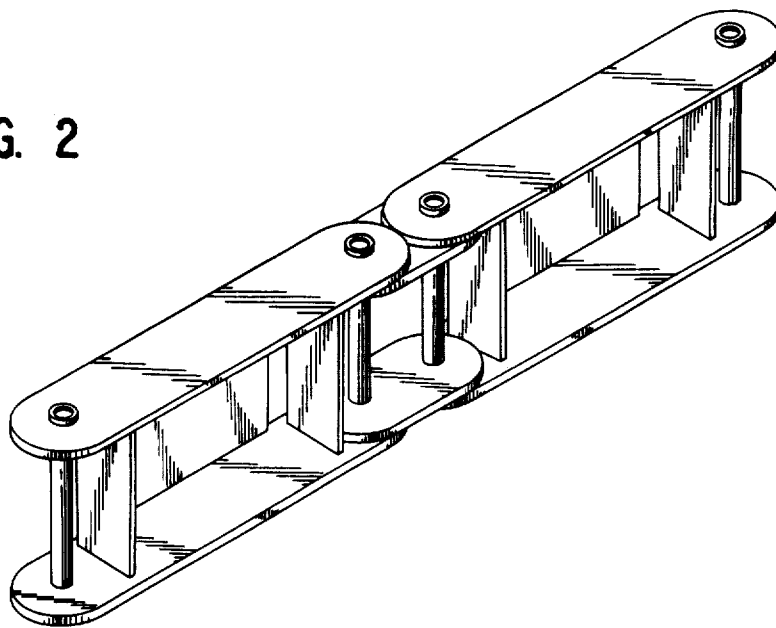


FIG. 2



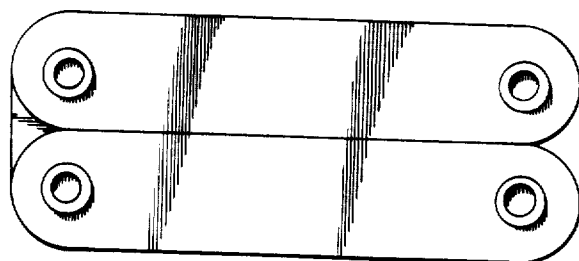


FIG. 3

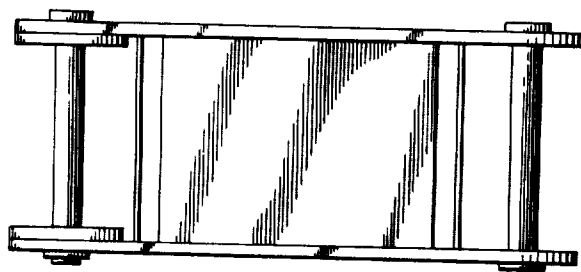


FIG. 4

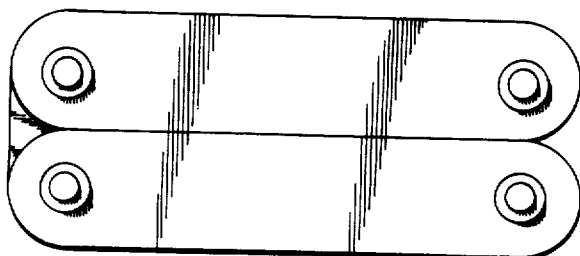


FIG. 5

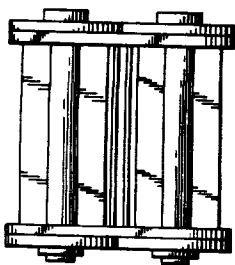


FIG. 6

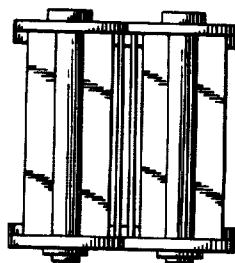


FIG. 7