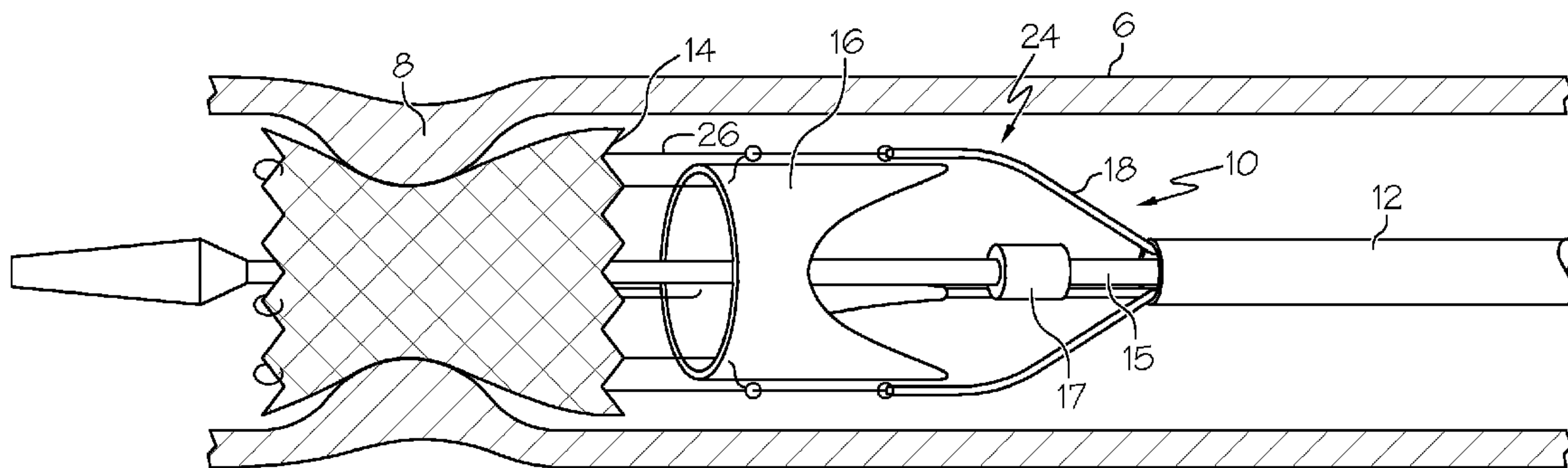




(86) **Date de dépôt PCT/PCT Filing Date:** 2013/07/11  
 (87) **Date publication PCT/PCT Publication Date:** 2014/01/16  
 (45) **Date de délivrance/Issue Date:** 2017/02/14  
 (85) **Entrée phase nationale/National Entry:** 2014/12/03  
 (86) **N° demande PCT/PCT Application No.:** US 2013/050087  
 (87) **N° publication PCT/PCT Publication No.:** 2014/011888  
 (30) **Priorité/Priority:** 2012/07/12 (US61/670,776)

(51) **Cl.Int./Int.Cl. A61F 2/966** (2013.01),  
**A61F 2/24** (2006.01)  
 (72) **Inventeurs/Inventors:**  
ZHOU, PU, US;  
WANG, HUISUN, US;  
FENG, JAMES Q., US  
 (73) **Propriétaire/Owner:**  
BOSTON SCIENTIFIC SCIMED, INC., US  
 (74) **Agent:** PIASETZKI NENNIGER KVAS LLP

(54) **Titre : SYSTEME ET PROCEDE DE MISE EN PLACE DE VALVULE CARDIAQUE, A PROFIL BAS**  
 (54) **Title: LOW PROFILE HEART VALVE DELIVERY SYSTEM AND METHOD**



(57) **Abrégé/Abstract:**

A heart valve delivery system includes a low-profile catheter having an outer sheath, the outer sheath having therein a stent and a replacement heart valve. In an unemploy configuration, the stent is located distally to the replacement heart valve. Upon deployment, however, the stent and replacement heart valve are expanded and the replacement heart valve is situated within the stent.