



US00D970396S

(12) **United States Design Patent**
Liu

(10) **Patent No.:** **US D970,396 S**

(45) **Date of Patent:** **** Nov. 22, 2022**

- (54) **CLIPLESS BICYCLE PEDAL**
- (71) Applicant: **Ya-Hsin Liu**, Taichung (TW)
- (72) Inventor: **Ya-Hsin Liu**, Taichung (TW)
- (**) Term: **15 Years**
- (21) Appl. No.: **29/764,644**

10,710,674	B2 *	7/2020	Inoue	B62M 3/086
11,124,265	B1 *	9/2021	Liu	B62M 3/083
2003/0029270	A1 *	2/2003	Milanowski	B62M 3/08
				74/594.4
2003/0029271	A1 *	2/2003	Shuman	B62M 3/086
				74/594.6
2007/0193402	A1 *	8/2007	Hsieh	B62M 3/086
				74/560
2021/0347438	A1 *	11/2021	Hickernell	B62M 3/08

- (22) Filed: **Dec. 31, 2020**
- (51) **LOC (13) Cl.** **12-11**
- (52) **U.S. Cl.**
USPC **D12/125**
- (58) **Field of Classification Search**
USPC D12/125, 174
CPC B62M 3/08; B62M 3/086
See application file for complete search history.

OTHER PUBLICATIONS

“Shimano Ultegra PD-R8000 Pedals” Shimano., posted date Oct. 25, 2017 [online], [retrieved on Jan. 14, 2022]. Retrieved from the Internet <URL:https://www.amazon.com/Shimano-PD-R8000-Pro-Level-Road-Pedal/dp/B071WR7MLW?ref_ast_sto_dp&th=1&psc=1> (Year: 2017).*

(Continued)

Primary Examiner — Darlington Ly
Assistant Examiner — Nasim Abdulaziz Ali
(74) *Attorney, Agent, or Firm* — Alan D. Kamrath; Karin L. Williams; Mayer & Williams PC

(56) **References Cited**
U.S. PATENT DOCUMENTS

D324,838	S *	3/1992	Briscadieu	74/594.4
6,070,493	A *	6/2000	Chen	B62M 3/086
				74/594.4
D486,426	S *	2/2004	Lin	D12/125
7,024,962	B2 *	4/2006	Chen	B62M 3/086
				36/131
D522,414	S *	6/2006	Chen	D12/125
D683,273	S *	5/2013	Winkie	D12/125
8,714,052	B2 *	5/2014	Chamberlain	B62M 3/08
				74/594.4
8,857,292	B2 *	10/2014	Bryne	B62M 3/086
				74/594.6
9,056,652	B2 *	6/2015	Inoue	B62M 3/086
9,499,231	B2 *	11/2016	Bryne	B62M 3/086
9,511,817	B2 *	12/2016	Bryne	B62M 3/086
9,795,184	B2 *	10/2017	Ueda	A43B 13/14
10,040,507	B2 *	8/2018	Coderre	B62M 3/086
10,182,609	B2 *	1/2019	Bryne	B62M 3/086
10,689,065	B2 *	6/2020	Inoue	B62M 3/086

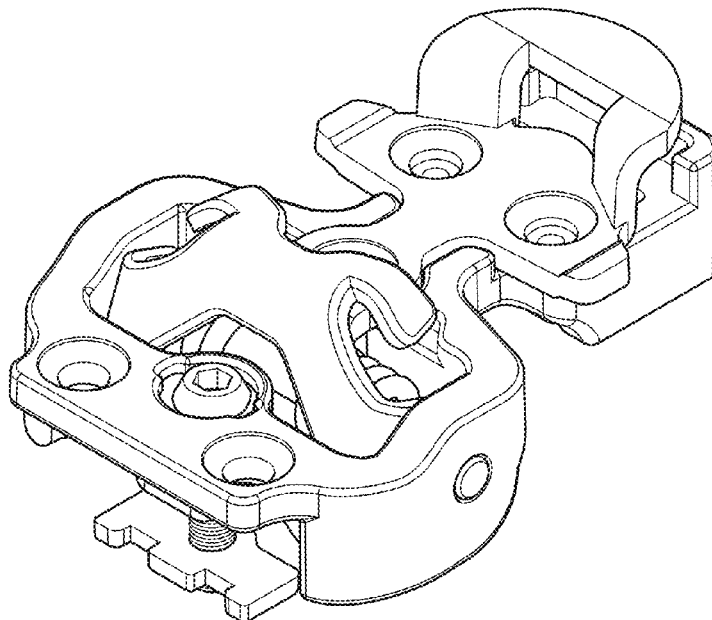
(57) **CLAIM**

The ornamental design for a clipless bicycle pedal, as shown and described.

DESCRIPTION

FIG. 1 is a front-right-top perspective view of a clipless bicycle pedal showing my new design; FIG. 2 is a front elevational view thereof; FIG. 3 is a rear elevational view thereof; FIG. 4 is a left side elevational view thereof; FIG. 5 is a right side elevational view thereof; FIG. 6 is a top plan view thereof; and, FIG. 7 is a bottom plan view thereof.

1 Claim, 4 Drawing Sheets



(56)

References Cited

OTHER PUBLICATIONS

"BV Bike ½" Dual Pedals" BV store., posted date Feb. 5, 2021 [online], [retrieved on Jan. 14, 2022]. Retrieved from the Internet <URL:https://www.amazon.com/BV-Compatible-Shimano-Exercise-Peloton/dp/B08W231KS3/ref=pd_lpo_2?pd_rd_i=B08W231KS3&pssc=1> (Year: 2021).*

"JOROTO SPD Pedals ½"MTB" JOROTO., posted date Mar. 12, 2021 [online], [retrieved on Jan. 14, 2022]. Retrieved from the Internet <URL:https://www.amazon.com/JOROTO-Pedals-Included-Suitable-Exercise/dp/B08YQP2HHP> (Year: 2021).*

"ZERAY Carbon Road Bike Pedals Peloton Pedal Clipless" ZERAY., posted date Nov. 4, 2019 [online], [retrieved on Jan. 14, 2022]. Retrieved from the Internet <URL:https://www.amazon.com/HEPINGJIANGENBO-Pedals-Cycling-Compatible-Structure/dp/B09575ZDF4?th=1> (Year: 2019).*

* cited by examiner

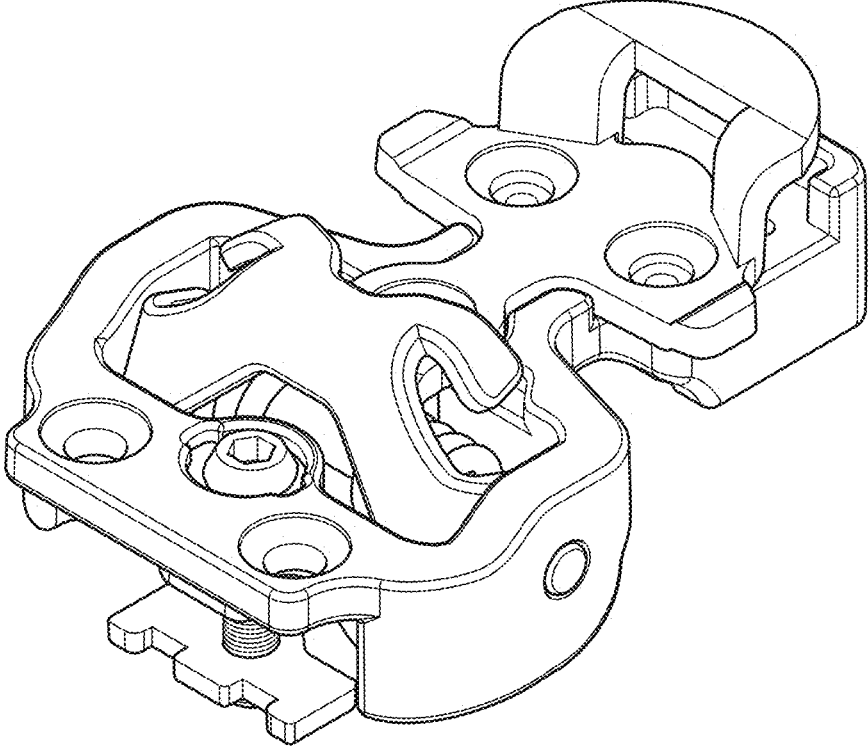


FIG. 1

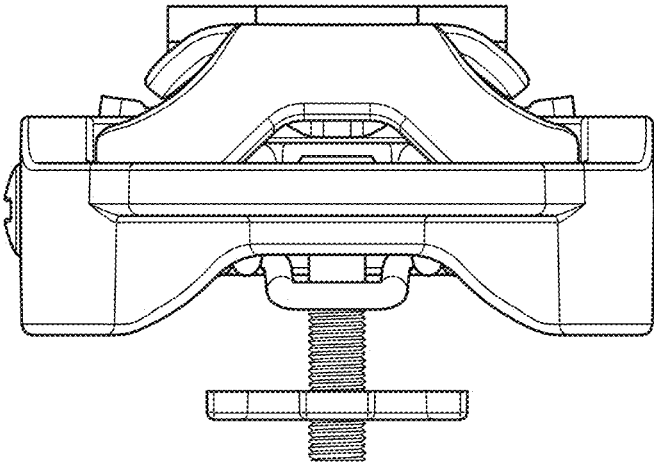


FIG. 2

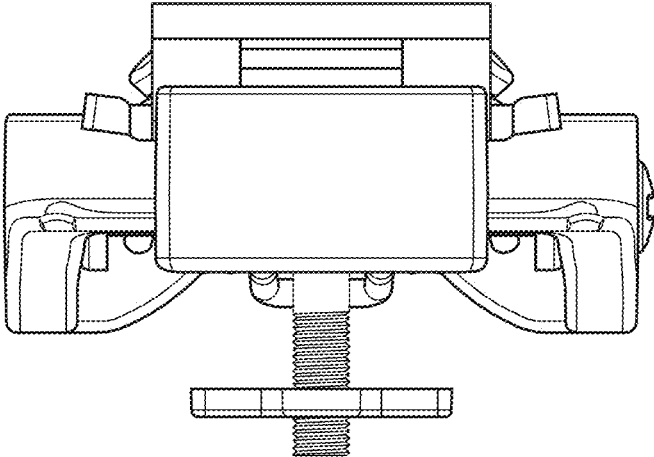


FIG. 3

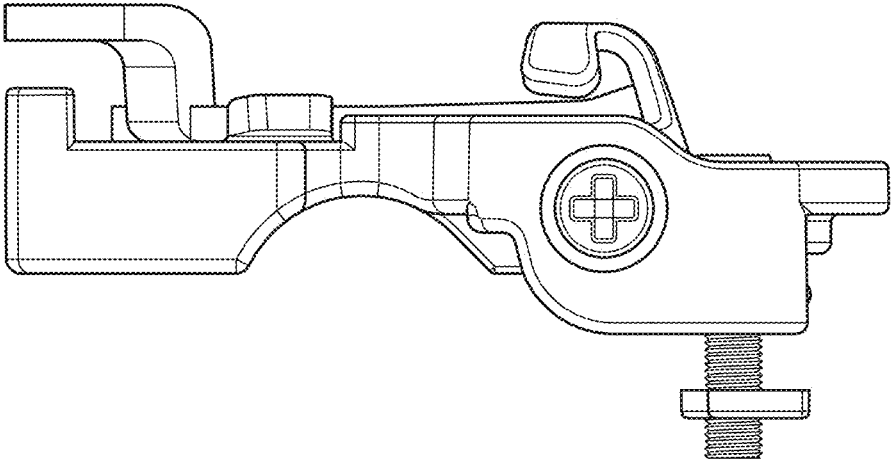


FIG. 4

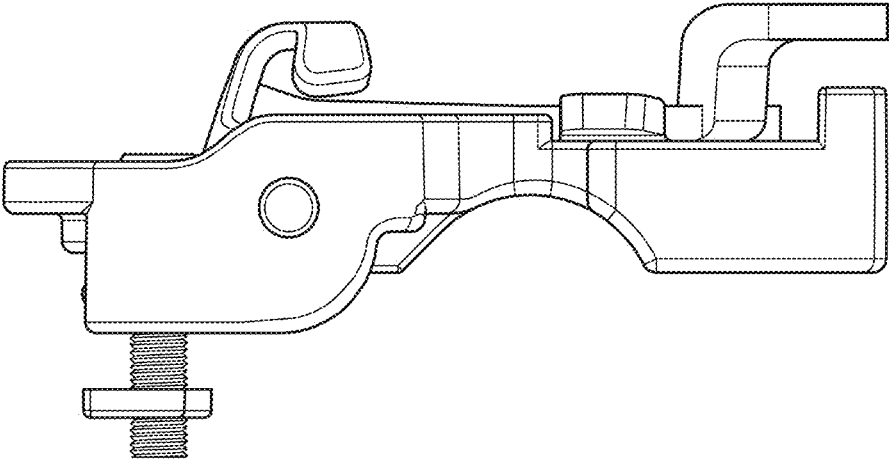


FIG. 5

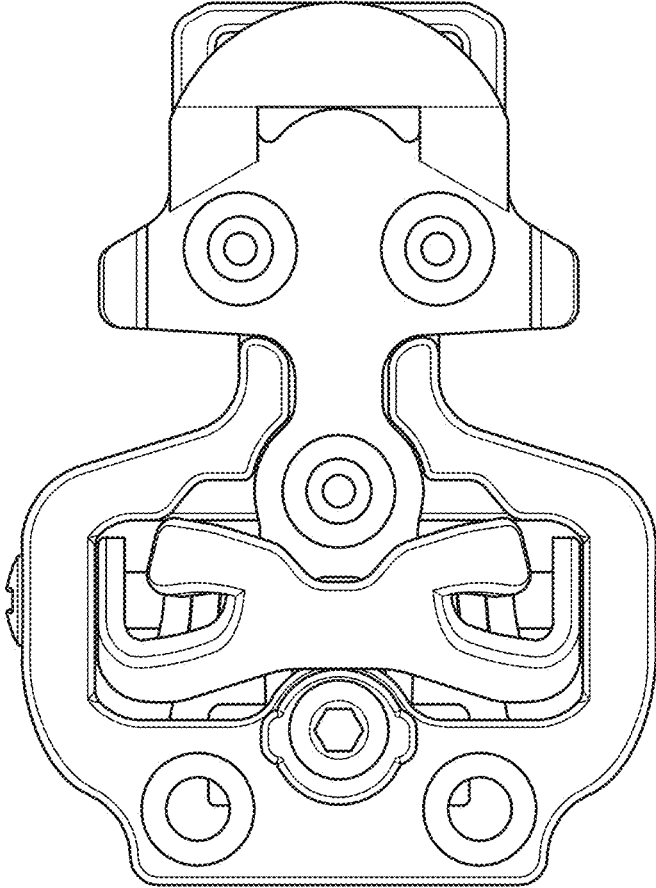


FIG. 6

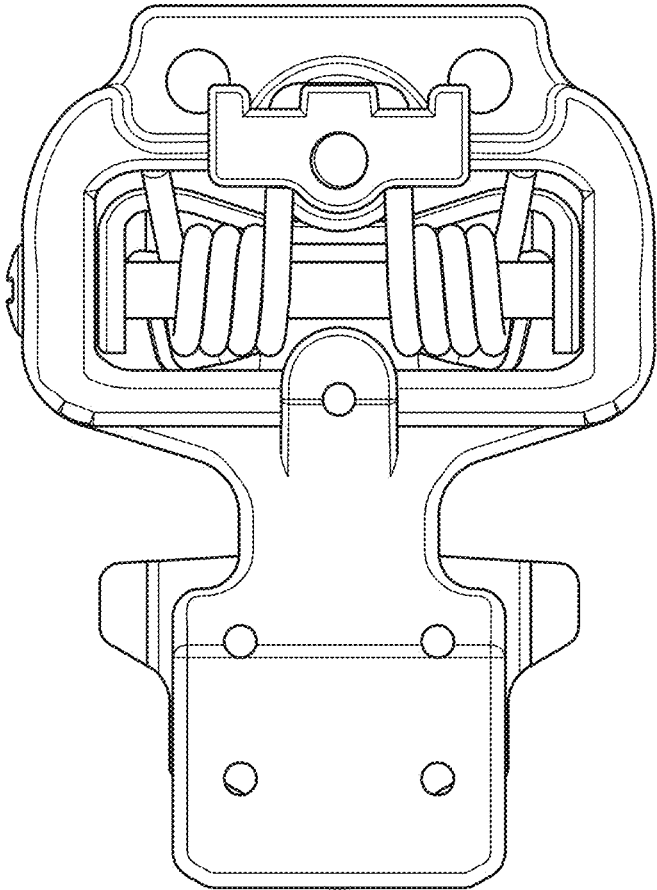


FIG. 7