



US00D355293S

United States Patent [19]

[11] Patent Number: **Des. 355,293**

Parker

[45] Date of Patent: **** Feb. 7, 1995**

[54] **INVALID HOIST**

[76] Inventor: **Roy Parker**, Slades Cottage, Adams Lane, Sway, Hampshire SO41 6EG, England

4,682,377 7/1987 Reich .
4,712,257 12/1987 James .
4,918,771 4/1990 James .

[**] Term: **14 Years**

FOREIGN PATENT DOCUMENTS

9006762 9/1990 Germany .
2223477 11/1990 United Kingdom .
WO92/04003 3/1992 WIPO .

[21] Appl. No.: **13,993**

[22] Filed: **Oct. 8, 1993**

Primary Examiner—Wallace R. Burke
Assistant Examiner—Robin V. Taylor
Attorney, Agent, or Firm—Bacon & Thomas

[30] Foreign Application Priority Data

May 12, 1993 [GB] United Kingdom 2031013
[52] U.S. Cl. **D34/28**
[58] Field of Search D34/28; 414/785, 921;
5/81.1, 83.1, 84.1, 87.1, 88.1, 89.1

[57] CLAIM

The ornamental design for an invalid hoist, as shown and described.

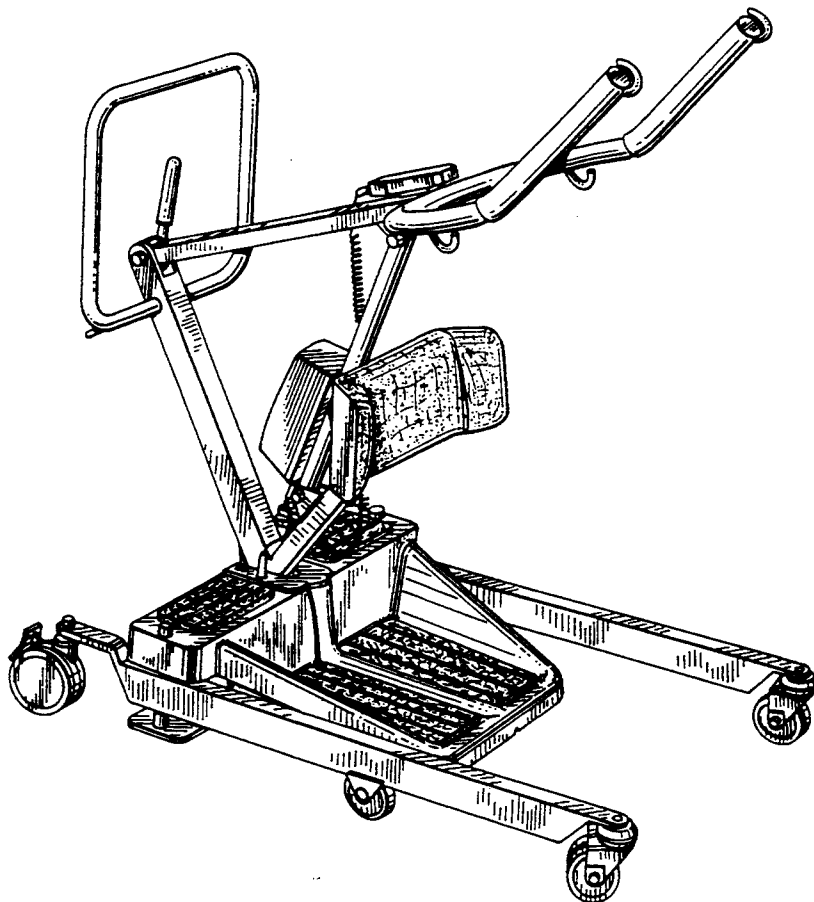
[56] References Cited

U.S. PATENT DOCUMENTS

D. 327,762 7/1992 Silbersky et al. D34/28
D. 327,763 7/1992 Silbersky et al. D34/28
3,277,502 9/1964 Wauthier .
3,394,933 7/1968 Benoit 5/81.1
3,629,880 12/1971 Van Rhyn .
3,914,808 10/1975 Woods 5/83.1
3,940,808 3/1976 Petrini 5/83.1
4,569,094 2/1986 Hart et al. .

DESCRIPTION

FIG. 1 is a perspective view of an invalid hoist showing my new design from the left side;
FIG. 2 is a right side elevation view thereof;
FIG. 3 is a right side elevation view thereof showing some of the movable elements in a different position;
FIG. 4 is a rear elevation view thereof;
FIG. 5 is a front elevation view thereof;
FIG. 6 is a top plan view thereof; and,
FIG. 7 is a bottom plan view thereof.



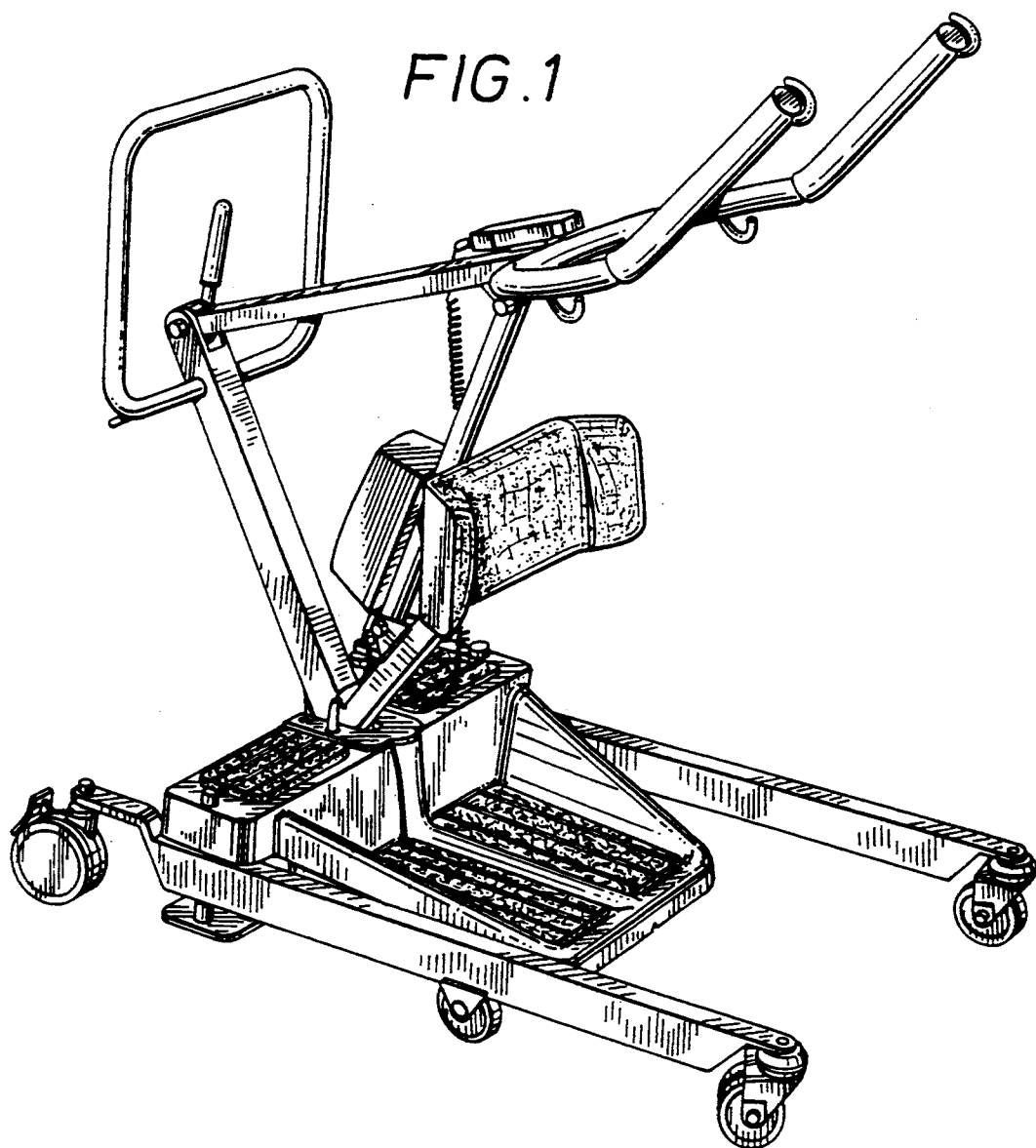


FIG. 2

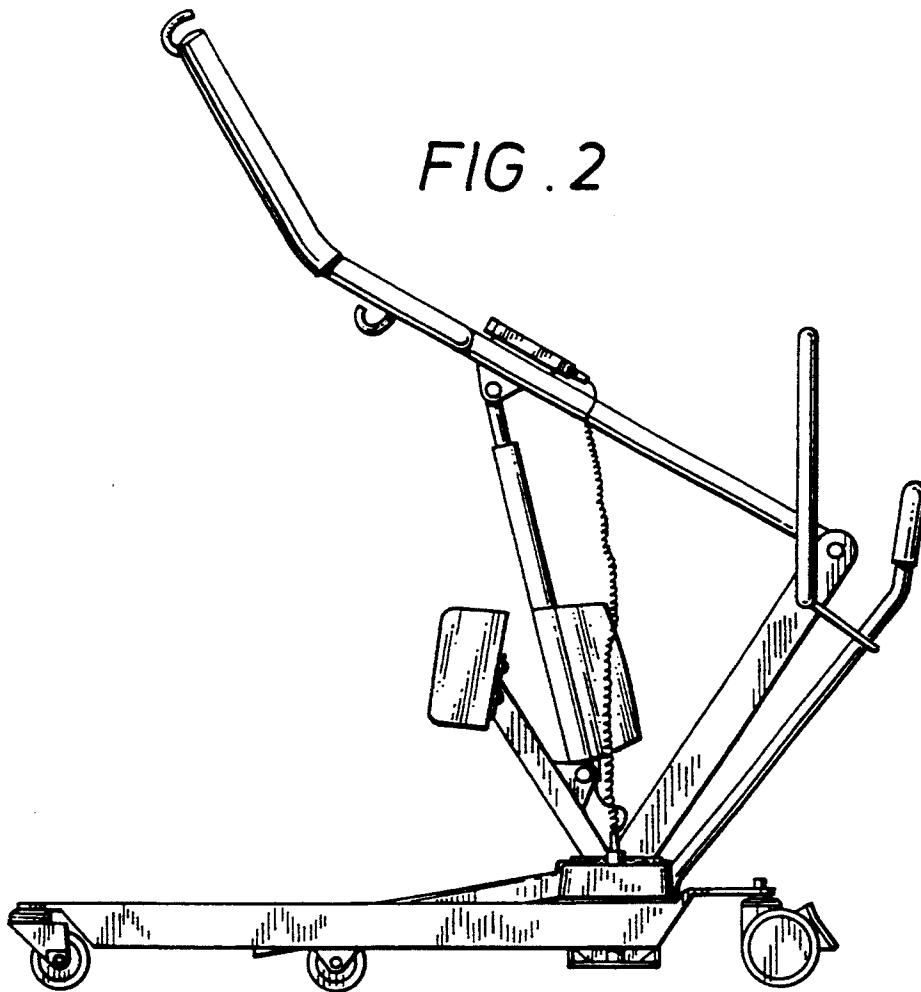
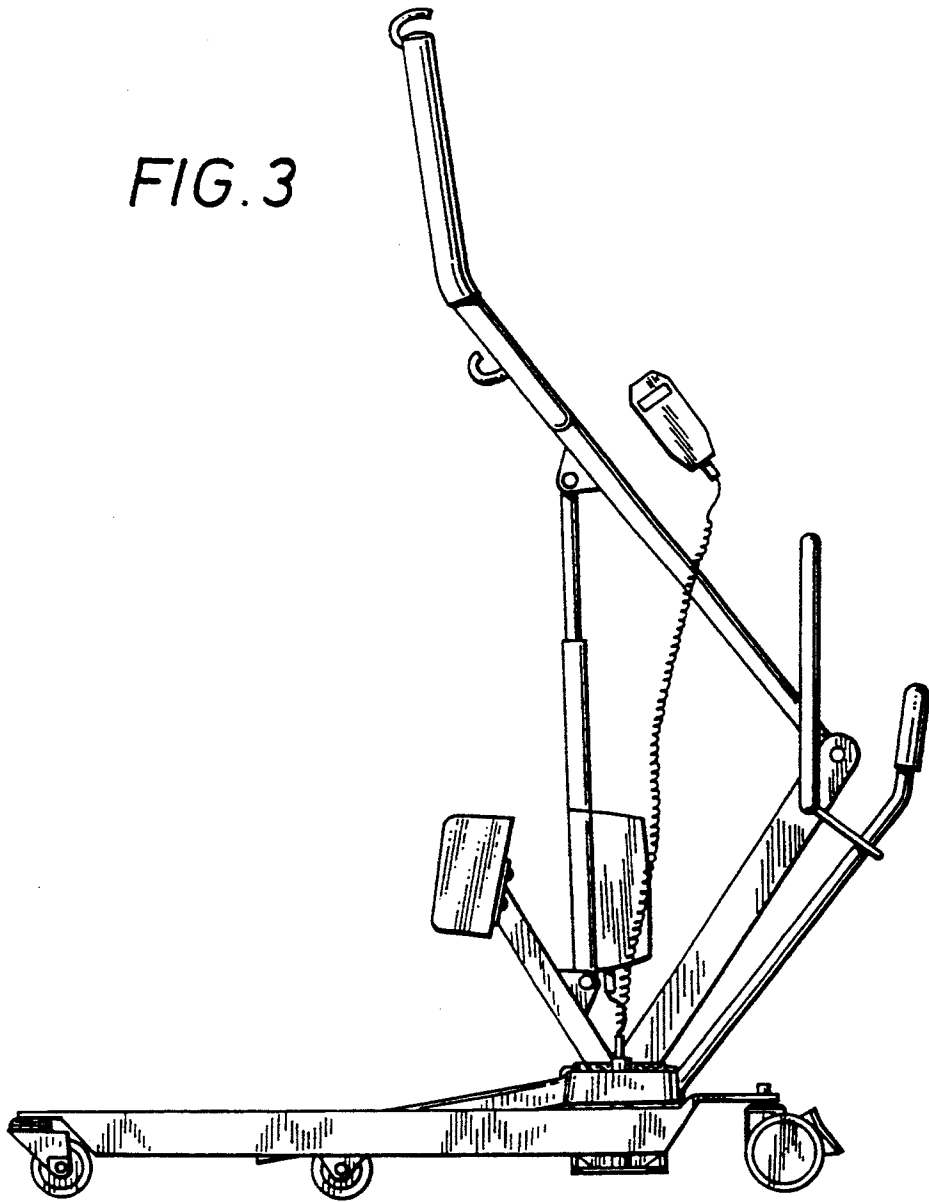


FIG. 3



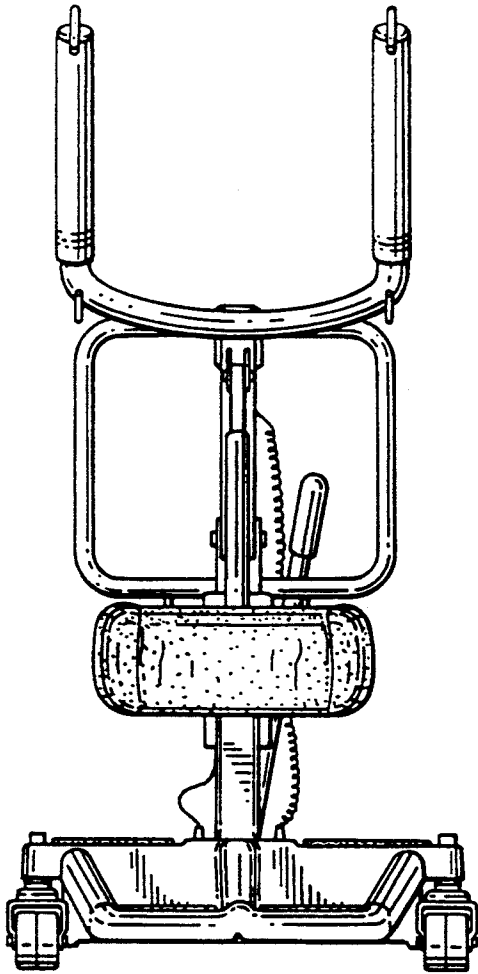


FIG. 4.

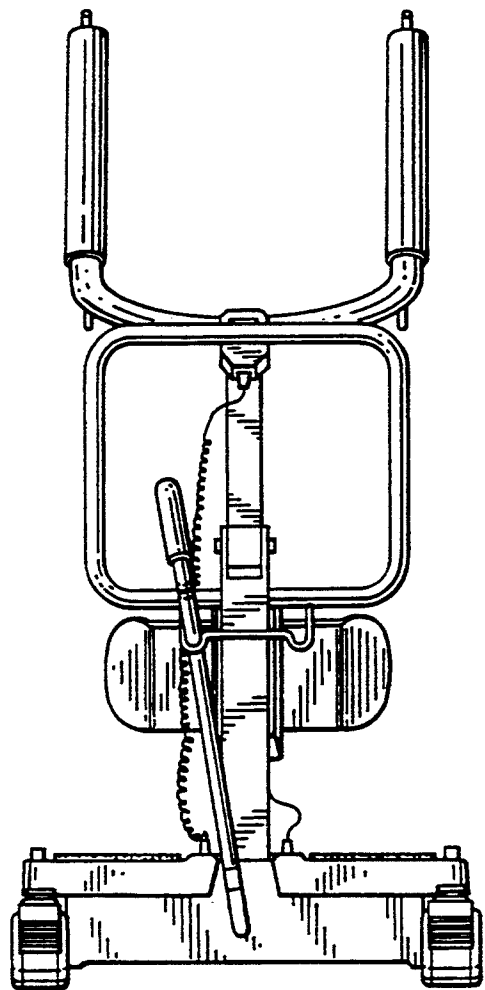


FIG. 5.

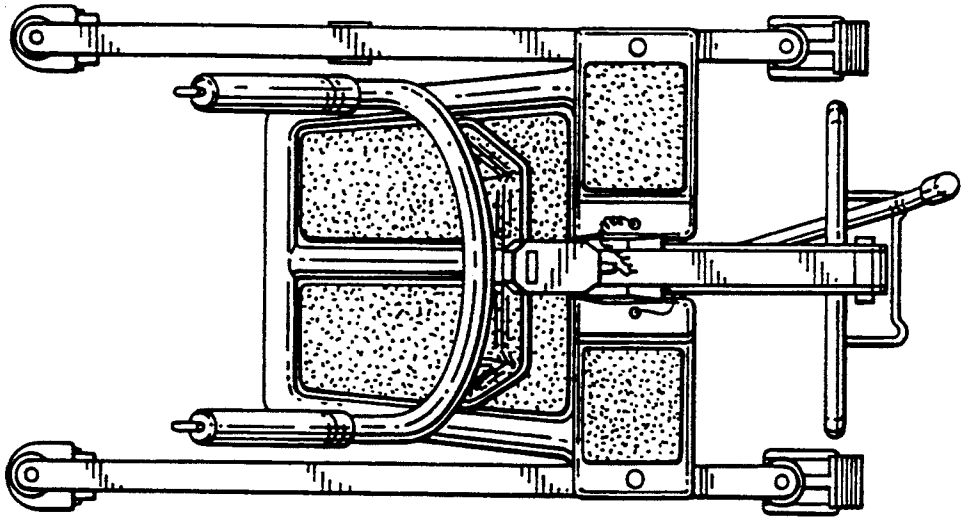


FIG. 6.

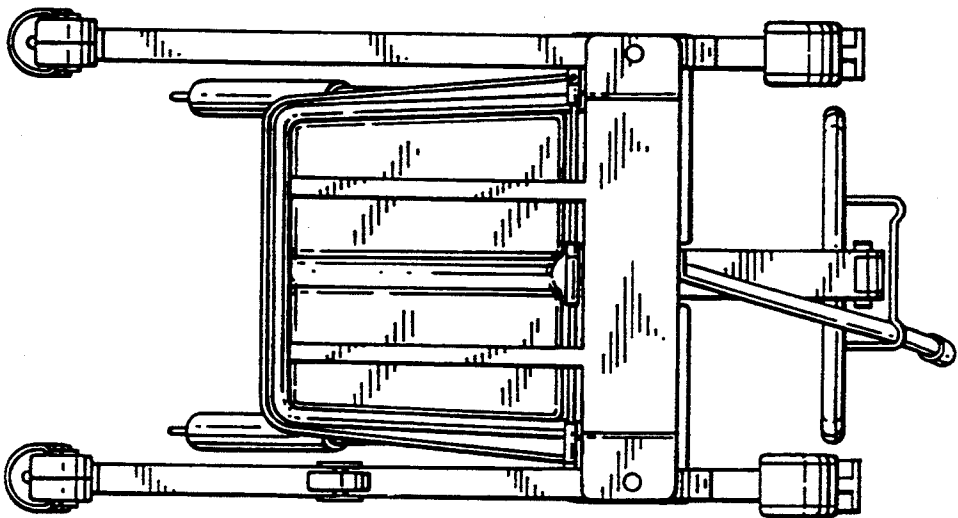


FIG. 7.