



US00D422406S

United States Patent [19]

[11] Patent Number: **Des. 422,406**

Dweck et al.

[45] Date of Patent: **** Apr. 11, 2000**

[54] **CHECKBOOK/UTILITY PORTFOLIO**

[75] Inventors: **Mark Dweck; Helene Weiss**, both of Great Neck, N.Y.

[73] Assignee: **Archer Worldwide, Inc.**, Great Neck, N.Y.

[**] Term: **14 Years**

[21] Appl. No.: **29/087,697**

[22] Filed: **May 7, 1998**

[51] **LOC (6) Cl.** **03-01**

[52] **U.S. Cl.** **D3/247; D3/253; D3/300; D3/900**

[58] **Field of Search** **D3/247, 253, 303, D3/900; 150/112, 117, 135, 147; 283/57, 58, 59; 383/38, 40**

[56] **References Cited**

U.S. PATENT DOCUMENTS

168,796	10/1875	Smith .	
D. 202,756	11/1965	Schlessinger .	
D. 274,179	6/1984	Siwula .	
D. 278,445	4/1985	Hartney	D3/247
D. 287,248	12/1986	Knoepkè	D3/900 X
D. 362,114	9/1995	Simhon .	
575,781	1/1897	Morgan	283/58
2,765,015	10/1956	Lupfer et al. .	

3,161,216	12/1964	Sloves .	
3,267,980	8/1966	Bird .	
4,075,702	2/1978	Davies .	
4,296,945	10/1981	Pavlik	150/135
4,391,370	7/1983	Dalbo	383/40
4,832,372	5/1989	Young	150/147
5,230,627	7/1993	Todd	150/135
5,277,451	1/1994	Garga	283/58

Primary Examiner—Louis S. Zarfes
Assistant Examiner—Monica A. Weingart
Attorney, Agent, or Firm—Cowan, Liebowitz & Latman, P.C.; Morey B. Wildes

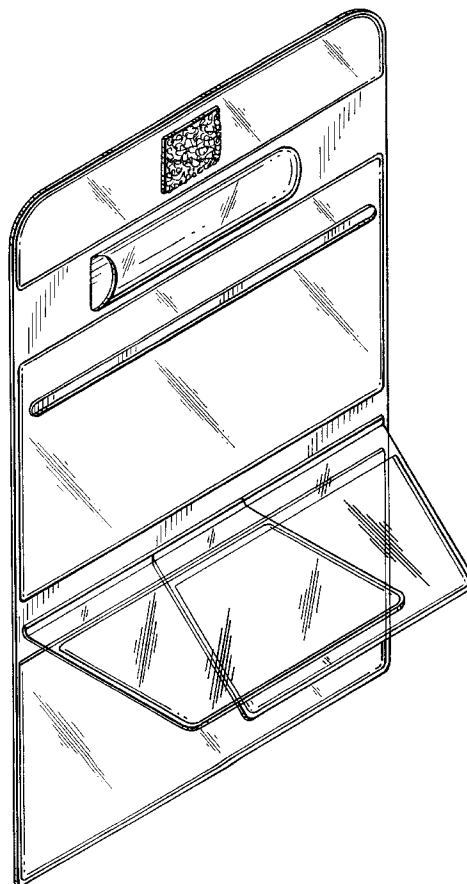
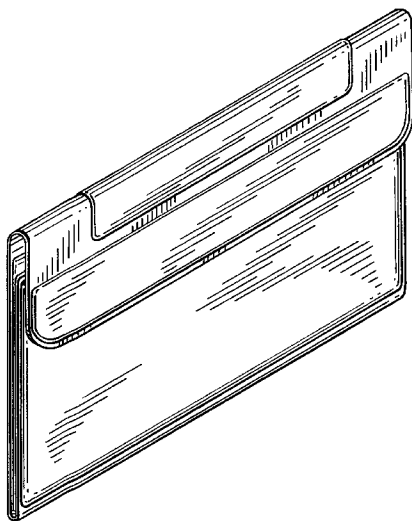
[57] **CLAIM**

The ornamental design for a checkbook/utility portfolio, as shown and described.

DESCRIPTION

FIG. 1 is a front, top, right side perspective view of the checkbook/utility portfolio in a closed position; FIG. 2 is a top plan view thereof; FIG. 3 is a left side elevational view thereof, the right side being identical; FIG. 4 is a back elevational view thereof; FIG. 5 is a bottom plan view thereof; and, FIG. 6 is a front, top, right side perspective view of the checkbook/utility portfolio in an open position.

1 Claim, 3 Drawing Sheets



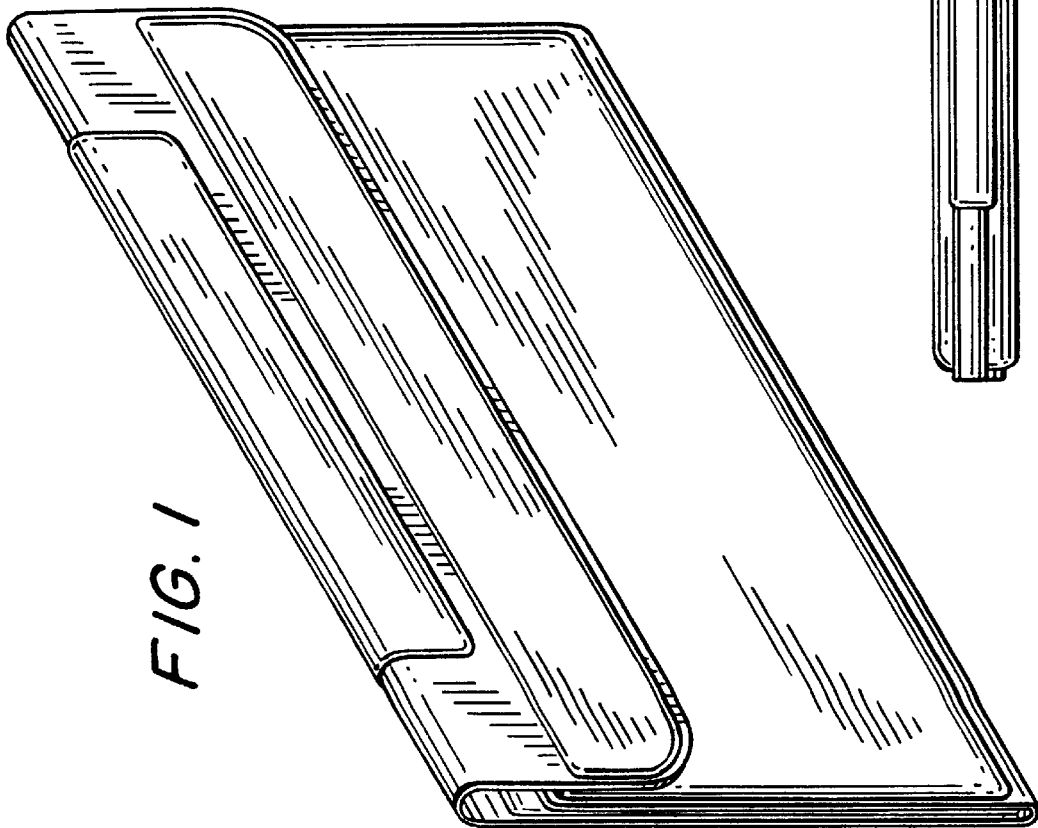


FIG. 4

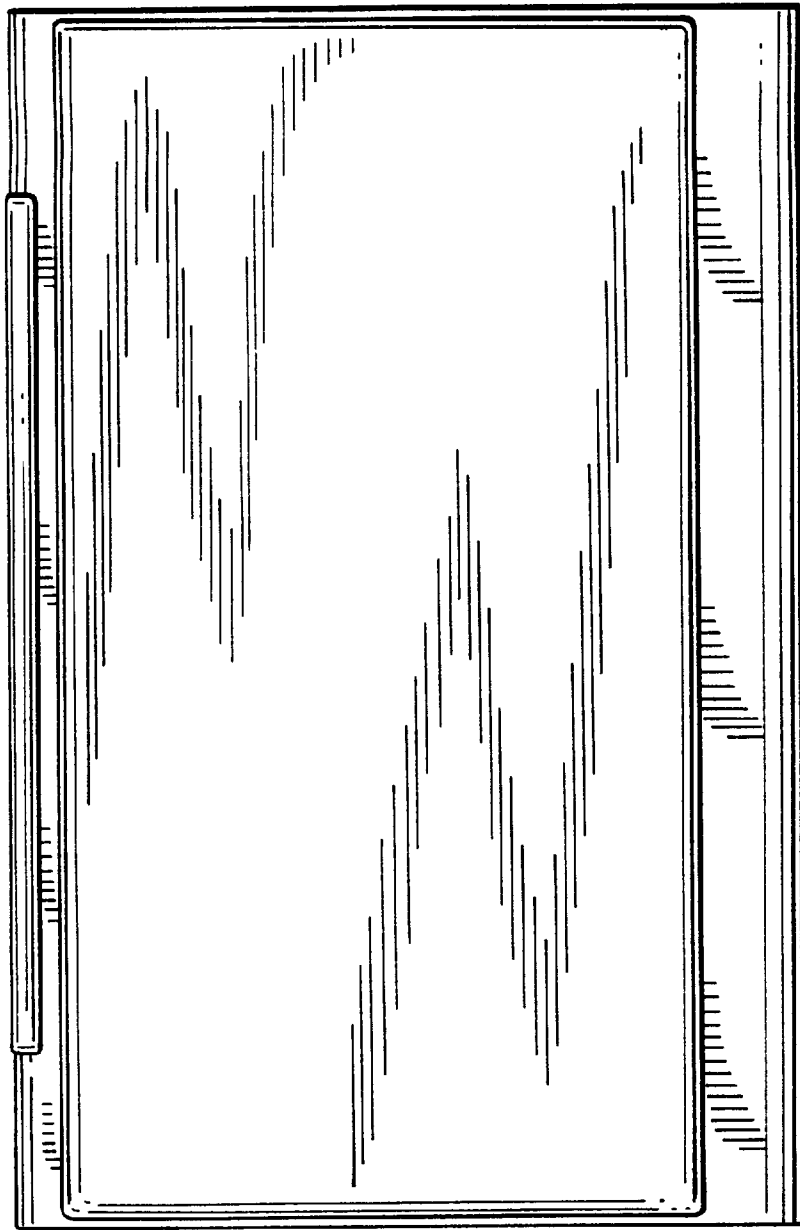


FIG. 3



FIG. 5

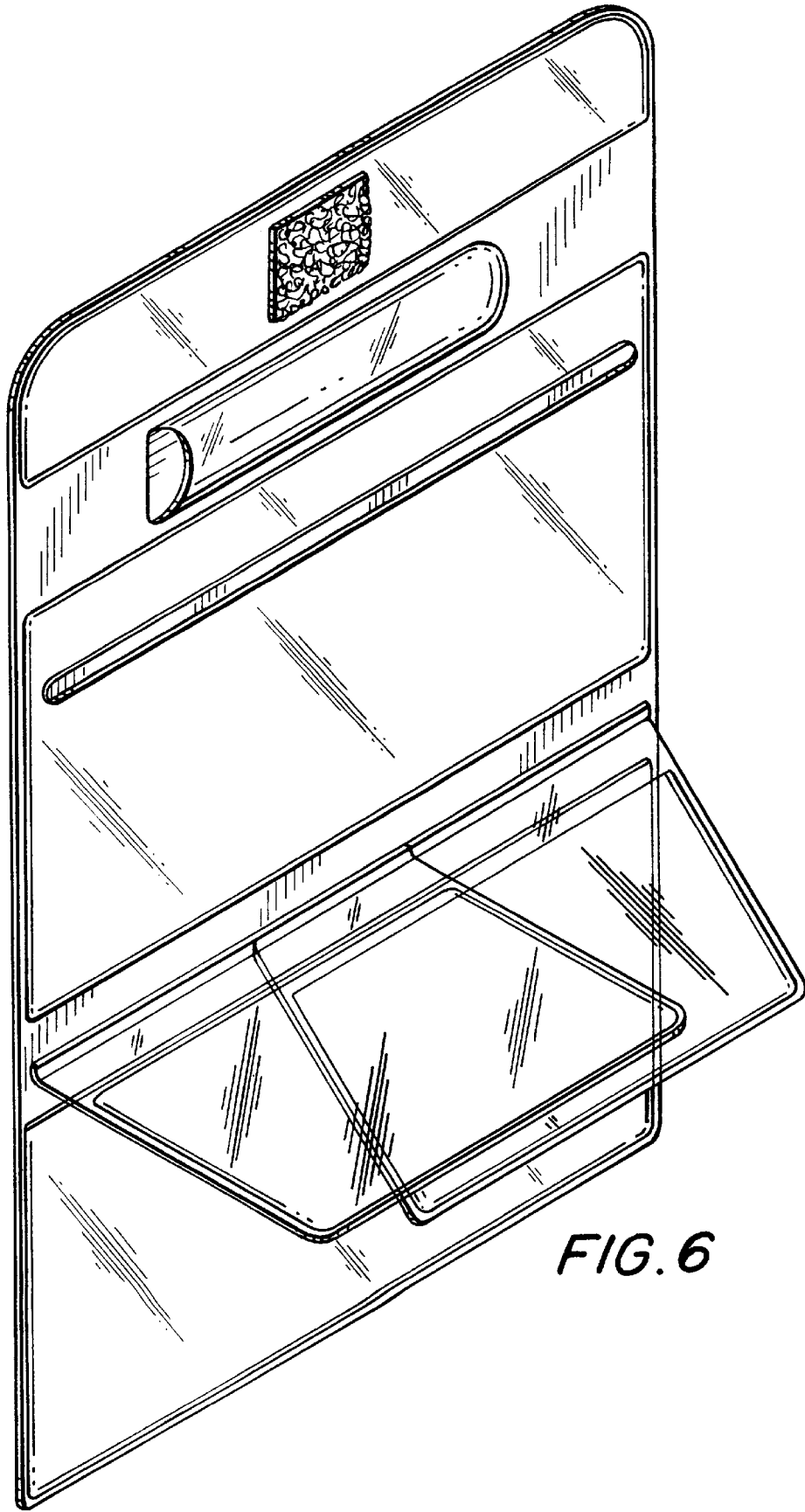


FIG. 6