



US00D764712S

(12) **United States Design Patent**
Teller et al.

(10) **Patent No.:** **US D764,712 S**

(45) **Date of Patent:** **** Aug. 23, 2016**

(54) **COSMETIC PRODUCT CONTAINER**

(71) Applicant: **EOS PRODUCTS, LLC**, New York, NY (US)

(72) Inventors: **Jonathan Teller**, New York, NY (US);
Sanjiv Mehra, New York, NY (US);
Peter Waxman, New York, NY (US);
Joseph Speter, New York, NY (US);
Sherry Jhawar, New York, NY (US);
Hamish Campbell, New York, NY (US)

(73) Assignee: **EOS PRODUCTS, LLC**, New York, NY (US)

(**) Term: **14 Years**

(21) Appl. No.: **29/488,098**

(22) Filed: **Apr. 15, 2014**

(51) **LOC (10) Cl.** **28-03**

(52) **U.S. Cl.**
USPC **D28/82**; D28/88; D9/519; D9/554;
D9/551

(58) **Field of Classification Search**
USPC D28/85-91, 82, 76-79, 4-7, 8.1, 8.2, 9;
D9/502, 570, 503, 504, 519, 552, 554,
D9/557, 564, 566, 567, 600, 726, 601, 551,
D9/521, 416, 529, 438, 435, 774, 556;
D24/101, 102; D1/127, 130; D5/43,
D5/44, 56, 59, 60, 62, 55; 132/316, 317,
132/318, 320; 206/581, 823, 385; D3/265,
D3/270, 271.1; 424/467; D14/489
CPC B65D 1/00; B65D 3/00; B65D 5/00;
B65D 11/00; B65D 25/00; B65D 81/00
See application file for complete search history.

(56) **References Cited**

U.S. PATENT DOCUMENTS

D16,159 S * 7/1885 Atterbury D9/545
1,852,455 A 4/1932 Friedman

5,044,496 A 9/1991 Tanaka
D326,411 S * 5/1992 Wefler D9/552
D358,231 S * 5/1995 Liu D28/82
6,193,427 B1 2/2001 Benguigui
D447,305 S * 8/2001 Hughes D34/1
D454,664 S * 3/2002 Look D28/77
6,391,972 B1 5/2002 Hatakeyama
D469,697 S * 2/2003 Herrin et al. D9/539
D518,382 S * 4/2006 McGuinness D9/504

(Continued)

FOREIGN PATENT DOCUMENTS

JP 1136041 S 3/2002
JP 2001321140 A 11/2004

OTHER PUBLICATIONS

SIPO Office Action issued Jul. 17, 2014 in connection with CN Appl. No. 201080063211.X citing JP 2004-321410A and JP 1136041S.

Primary Examiner — Marianne Pandozzi

Assistant Examiner — Jae Liang

(74) *Attorney, Agent, or Firm* — Martin & Ferraro, LLP

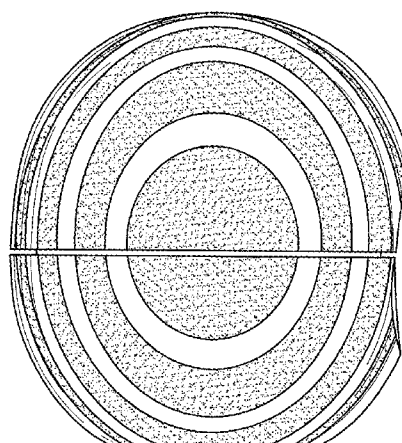
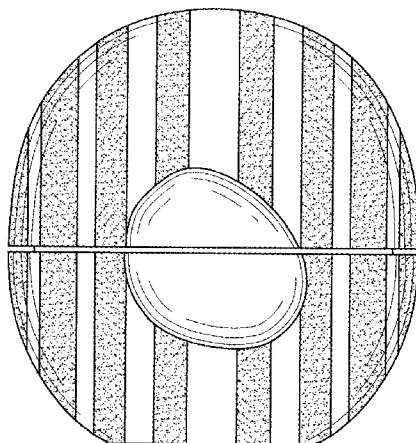
(57) **CLAIM**

The ornamental design for a cosmetic product container, as shown and described.

DESCRIPTION

FIG. 1 is a front elevational view of a cosmetic product container showing my new design;
FIG. 2 is a left side elevational view thereof;
FIG. 3 is a right side elevational view thereof;
FIG. 4 is a rear elevational view thereof;
FIG. 5 is a top plan view thereof; and,
FIG. 6 is a bottom plan view thereof.
The broken lines in the drawing depict portions of the cosmetic product container that form no part of the claimed design.
The stippling in FIGS. 1-6 shows contrast in appearance.

1 Claim, 3 Drawing Sheets



(56)

References Cited

U.S. PATENT DOCUMENTS

D572,145 S *	7/2008	Knapp et al.	D9/635	D639,176 S *	6/2011	Paulo Caldas	D9/550
D592,463 S *	5/2009	Ehrenhaus et al.	D7/613	D644,939 S *	9/2011	Teller	D9/726
D614,452 S *	4/2010	Ablo	D7/628	D650,241 S *	12/2011	Ehrenhaus et al.	D7/628
D622,597 S *	8/2010	Dabrowski	D9/538	D656,798 S *	4/2012	Guastafeste	D7/628
D622,604 S *	8/2010	Wheeler	D9/556	D662,652 S *	6/2012	Browder	D26/134
D625,469 S *	10/2010	Dubitsky et al.	D28/84	D681,278 S *	4/2013	Schlatter	D28/89
				8,444,337 B2 *	5/2013	Teller	401/88
				D708,790 S *	7/2014	Schlatter	D28/89
				2007/0017915 A1 *	1/2007	Weder et al.	220/4.21

* cited by examiner

FIG. 1

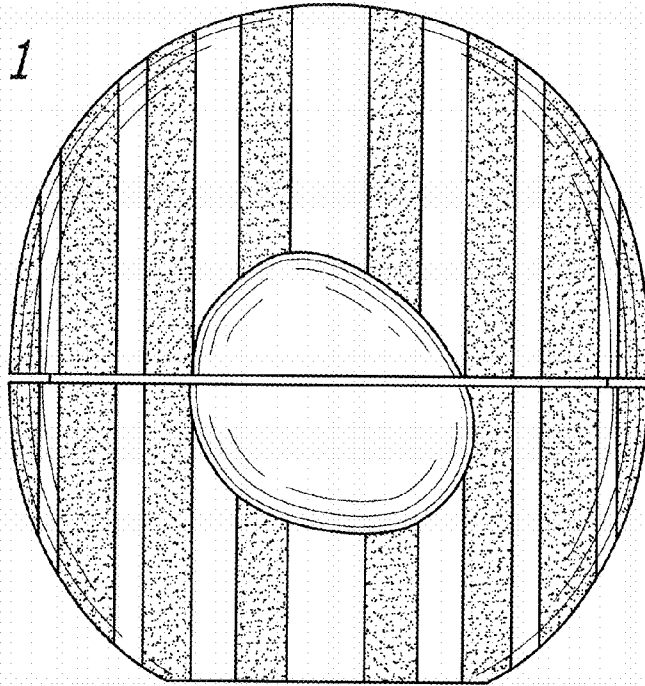


FIG. 2

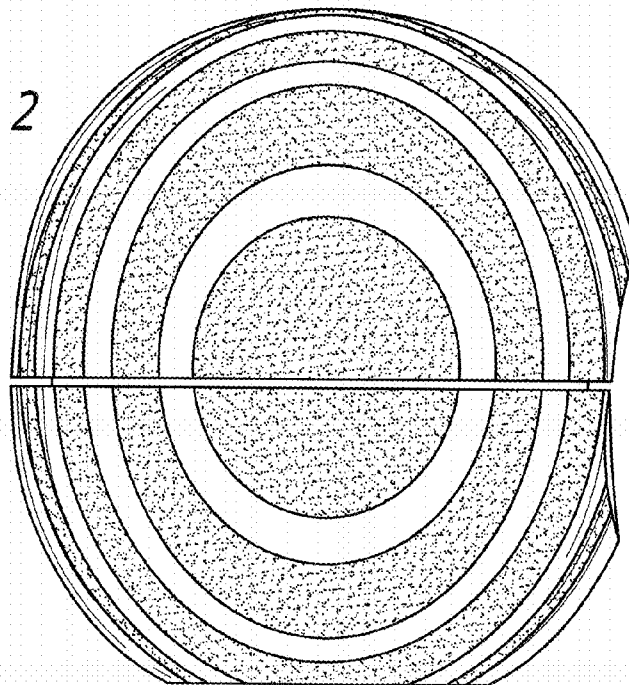


FIG. 3

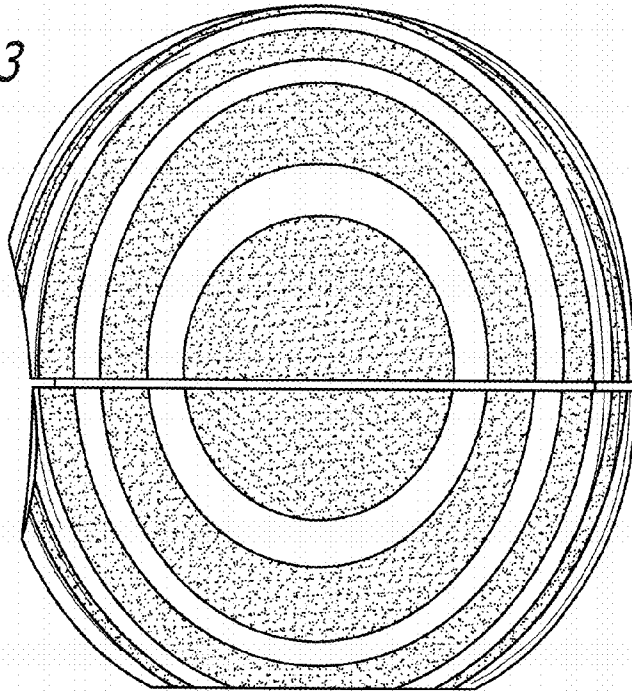


FIG. 4

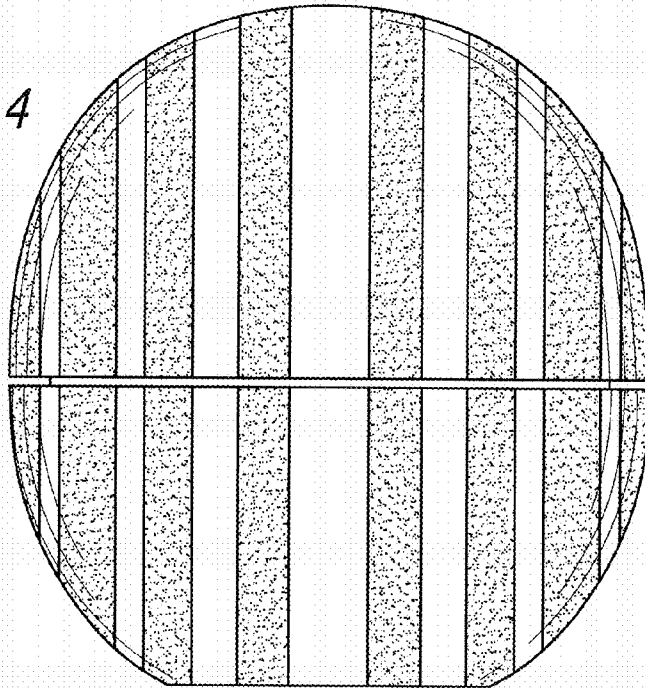


FIG. 5

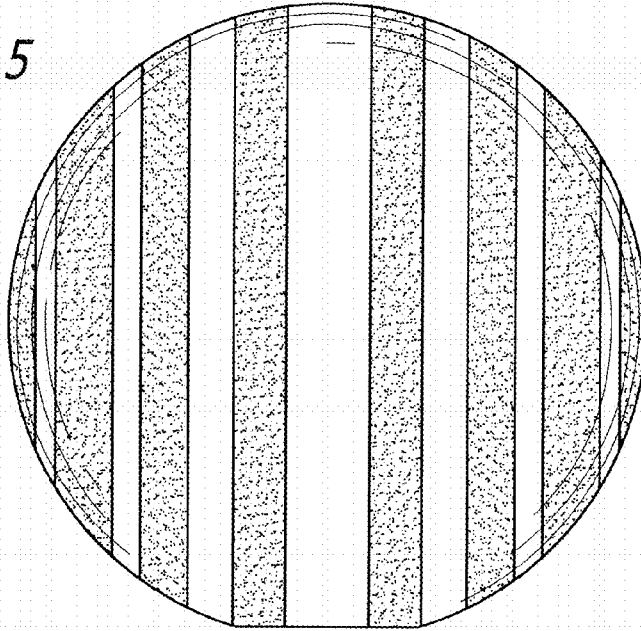


FIG. 6

