



US00D589731S

(12) **United States Design Patent**
Kohagen et al.

(10) **Patent No.:** **US D589,731 S**

(45) **Date of Patent:** **** Apr. 7, 2009**

(54) **DRAWER TRIM**

(75) Inventors: **Steven F. Kohagen**, Waverly, IA (US);
Nicole E. Freeberg, Waterloo, IA (US)

(73) Assignee: **Waterloo Industries, Inc.**, Oak Creek,
WI (US)

(**) Term: **14 Years**

(21) Appl. No.: **29/305,604**

(22) Filed: **Mar. 25, 2008**

Related U.S. Application Data

(63) Continuation of application No. 29/280,553, filed on
May 31, 2007, now Pat. No. Des. 568,078.

(51) **LOC (9) Cl.** **06-06**

(52) **U.S. Cl.** **D6/510**

(58) **Field of Classification Search** D3/260,
D3/272-273, 276, 283, 297, 318, 321-322,
D3/905; D6/432, 436, 441, 445-446, 448,
D6/509-511; D32/25; D34/12, 27; 312/109,
312/199, 204, 330.1, 348.4

See application file for complete search history.

(56) **References Cited**

U.S. PATENT DOCUMENTS

D182,558 S	4/1958	Willman et al.
D205,522 S	8/1966	Doman
D218,080 S	7/1970	Sierzega
4,120,549 A	10/1978	Bureau
D327,967 S	7/1992	Hikawa
D341,253 S	11/1993	Ballman et al.
5,332,305 A	7/1994	Slivon et al.
5,443,311 A	8/1995	Kadlecek et al.
D361,910 S	9/1995	Maple et al.
D370,342 S	6/1996	Gwyther

D370,572 S	6/1996	Lin
D372,378 S	8/1996	Kruger
5,607,214 A	3/1997	Pierce et al.
D381,166 S	7/1997	Bonazza
D385,722 S	11/1997	Yemini
D386,626 S	11/1997	Yemini
5,720,535 A	2/1998	Mehman

(Continued)

Primary Examiner—Caron Veynar

Assistant Examiner—Ricky Pham

(74) *Attorney, Agent, or Firm*—Calfee, Halter & Griswold
LLP

(57) **CLAIM**

The ornamental design for a drawer trim, as shown and
described.

DESCRIPTION

FIG. 1 is a perspective view of the new, original, and orna-
mental design for a drawer trim, showing the drawer trim
attached to a drawer of a tool chest;

FIG. 2 is a perspective view of the drawer trim of FIG. 1;

FIG. 3 is a front elevational view of the drawer trim of FIG. 2;

FIG. 4 is a rear elevational view of the drawer trim of FIG. 2;

FIG. 5 is a right side elevational view of the drawer trim of
FIG. 2;

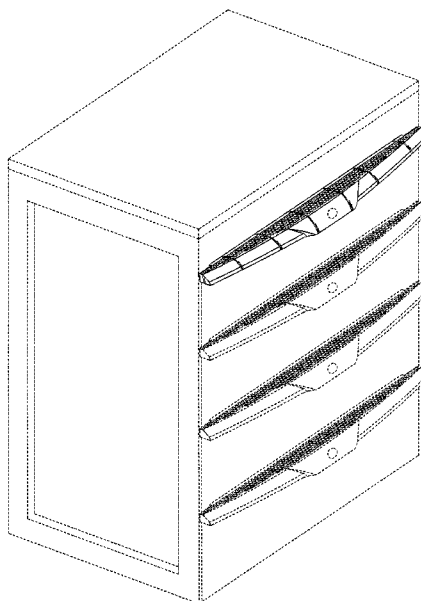
FIG. 6 is a left side elevational view of the drawer trim of FIG.
2;

FIG. 7 is a top plan view of the drawer trim of FIG. 2; and,

FIG. 8 is a bottom plan view of the drawer trim of FIG. 2.

The portions of the Figures shown in broken lines are not part
of the claimed design and are for illustration only.

1 Claim, 5 Drawing Sheets



US D589,731 S

Page 2

U.S. PATENT DOCUMENTS

D393,541 S	4/1998	Calmeise		D505,237 S	5/2005	Schmidt et al.
D403,570 S	1/1999	Relyea et al.		D506,090 S	6/2005	Ben-Or
5,857,757 A	1/1999	Bieker et al.		D506,870 S	7/2005	Uihlein et al.
D423,817 S *	5/2000	Holcomb et al.	D6/445	D511,061 S	11/2005	Ben-Or
D423,818 S *	5/2000	Holcomb et al.	D6/445	D514,854 S	2/2006	Schmidt et al.
D427,807 S	7/2000	Holcomb et al.		D517,805 S	3/2006	Hosking
6,109,709 A	8/2000	Holcomb et al.		D520,784 S	5/2006	Schmidt et al.
D430,426 S	9/2000	Bieker et al.		D526,782 S	8/2006	Hosking
D431,934 S *	10/2000	Chininis	D6/446	D536,196 S	2/2007	Bixby et al.
6,176,559 B1	1/2001	Tiramani et al.		D538,997 S	3/2007	Schlembach
D448,168 S	9/2001	Johnston		D547,160 S	7/2007	Hand et al.
D449,181 S	10/2001	Story et al.		D549,408 S	8/2007	Lee
D453,074 S	1/2002	Johnston		D554,370 S *	11/2007	Hand D3/297
6,347,847 B1	2/2002	Tiramani et al.		D554,864 S	11/2007	Hand
D455,902 S	4/2002	Wolf		D563,103 S *	3/2008	Hand D3/297
D457,704 S	5/2002	Fiscus et al.		D565,875 S *	4/2008	Oura et al. D6/510
D470,687 S	2/2003	Binse et al.		D566,396 S *	4/2008	Hand D3/297
D479,723 S	9/2003	Braun et al.		D568,078 S *	5/2008	Kohagen et al. D6/510
D481,847 S *	11/2003	Van Latingham, Jr.	D34/27	D568,608 S *	5/2008	Hand D3/297
D492,328 S	6/2004	Uihlein et al.		D572,055 S *	7/2008	Huang D6/510
D502,812 S *	3/2005	Zimmerman	D3/297	2002/0030425 A1	3/2002	Tiramani et al.
D504,260 S	4/2005	Arceta		2002/0074905 A1	6/2002	Tiramani et al.

* cited by examiner

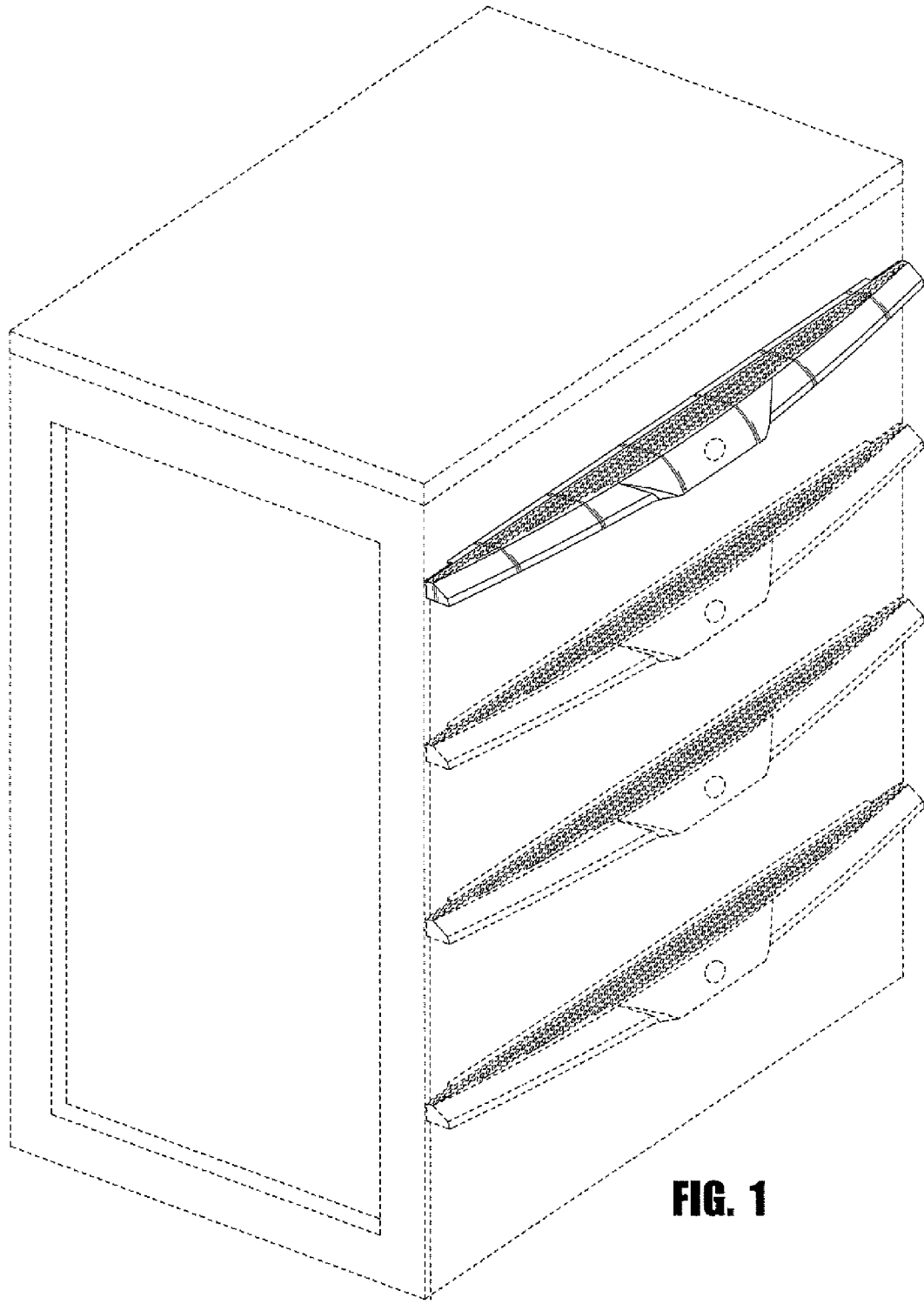


FIG. 1

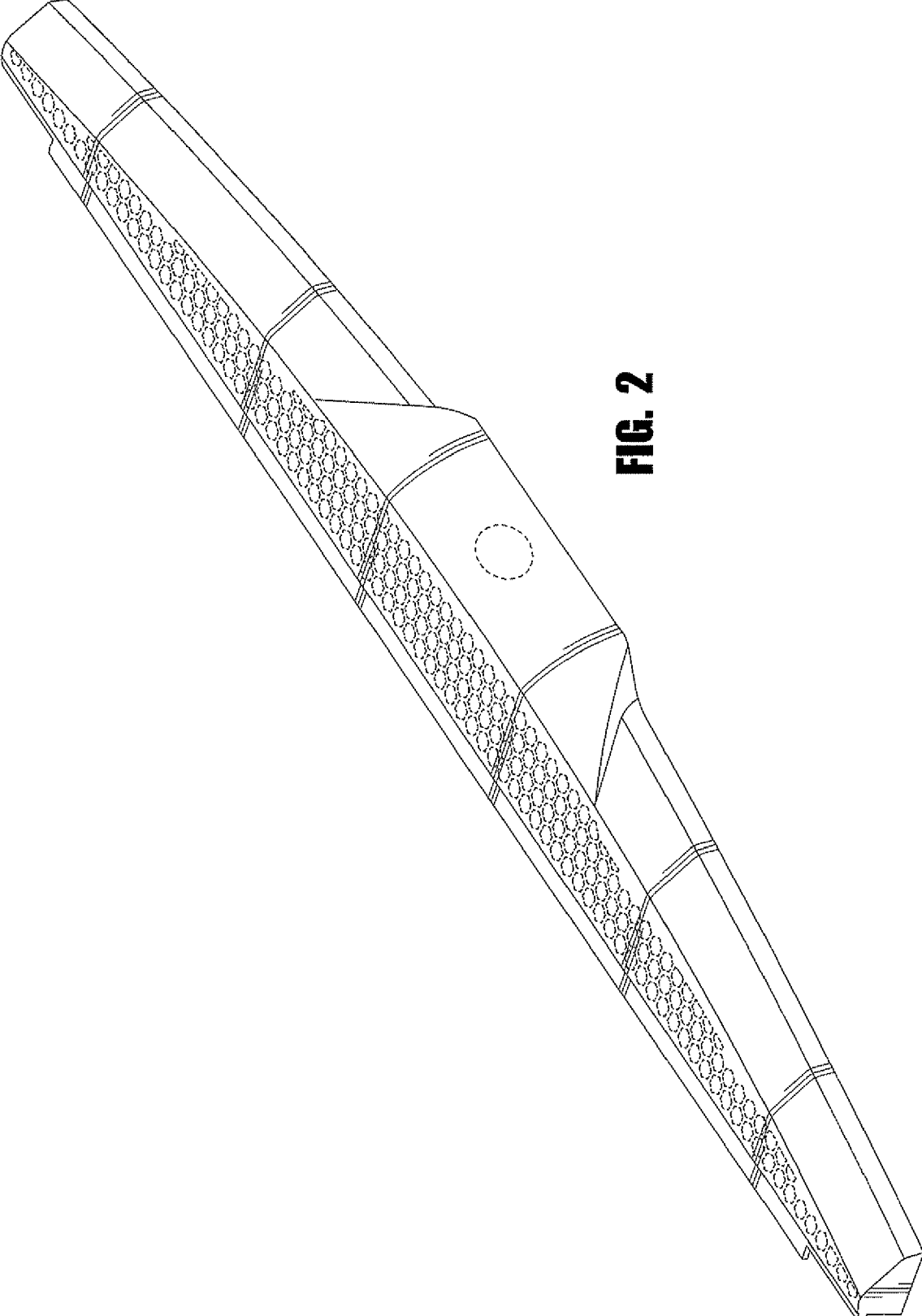


FIG. 2



FIG. 3

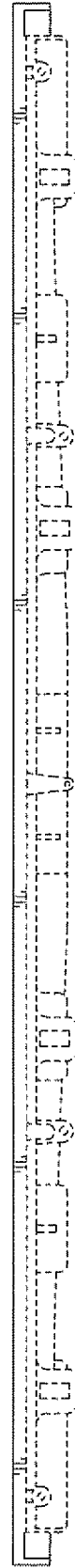


FIG. 4

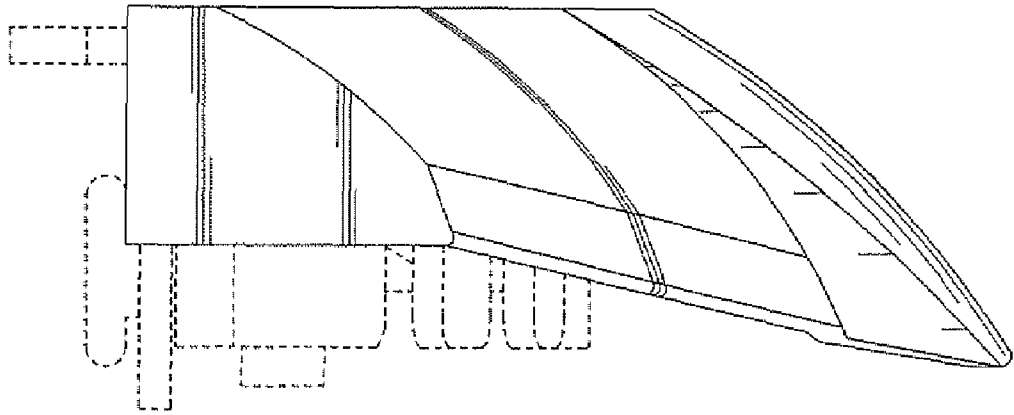


FIG. 5

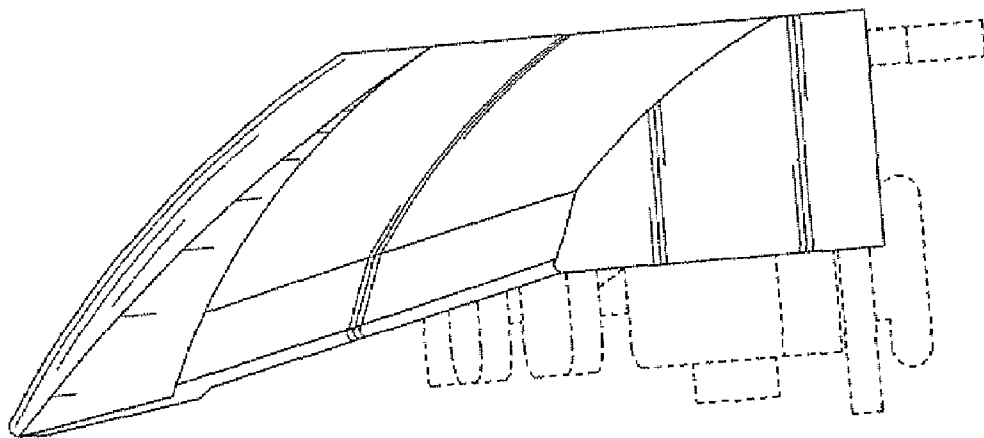


FIG. 6

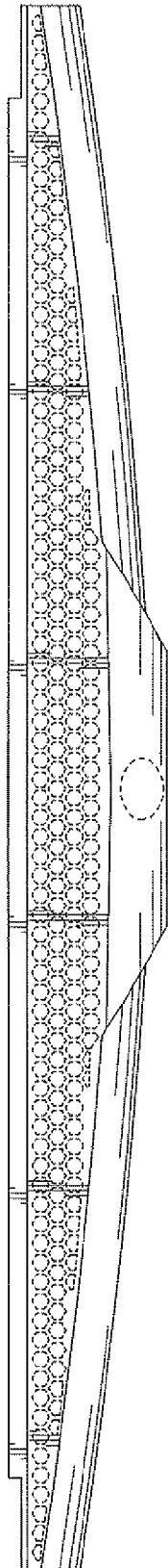


FIG. 7

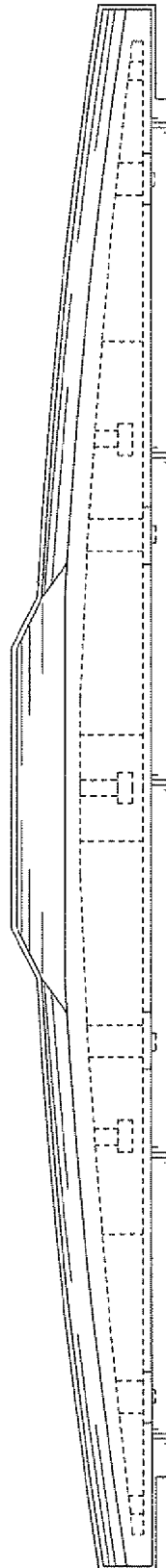


FIG. 8