



- (51) International Patent Classification:
C03B 21/00 (2006.01)
- (21) International Application Number:
PCT/IB2011/002690
- (22) International Filing Date:
3 August 2011 (03.08.2011)
- (25) Filing Language: English
- (26) Publication Language: English
- (30) Priority Data:
MX/E/2010/048025 4 August 2010 (04.08.2010) MX
61/571,647 2 July 2011 (02.07.2011) US
13/136,460 2 August 2011 (02.08.2011) US
- (71) Applicant (for all designated States except US): **GRUPO PAVISA, S.A. DE C.V.** [MX/MX]; General Agustin Millan #10, Col. San Andres Atoto, Naucalpan Estado De Mexico, C.P., 53500 (MX).

- (72) Inventor; and
(75) Inventor/Applicant (for US only): **KRAMER, Michael, Arnold, Albert** [CH/MX]; Tennyson #208 PH 3, Colonia Polanco Chapultapec, Delegacion Miguel Hidalgo, Mexico D.F, C.P.11540 (MX).

- (81) Designated States (unless otherwise indicated, for every kind of national protection available): AE, AG, AL, AM, AO, AT, AU, AZ, BA, BB, BG, BH, BR, BW, BY, BZ, CA, CH, CL, CN, CO, CR, CU, CZ, DE, DK, DM, DO, DZ, EC, EE, EG, ES, FI, GB, GD, GE, GH, GM, GT, HN,

HR, HU, ID, IL, IN, IS, JP, KE, KG, KM, KN, KP, KR, KZ, LA, LC, LK, LR, LS, LT, LU, LY, MA, MD, ME, MG, MK, MN, MW, MX, MY, MZ, NA, NG, NI, NO, NZ, OM, PE, PG, PH, PL, PT, QA, RO, RS, RU, SC, SD, SE, SG, SK, SL, SM, ST, SV, SY, TH, TJ, TM, TN, TR, TT, TZ, UA, UG, US, UZ, VC, VN, ZA, ZM, ZW.

- (84) Designated States (unless otherwise indicated, for every kind of regional protection available): ARIPO (BW, GH, GM, KE, LR, LS, MW, MZ, NA, SD, SL, SZ, TZ, UG, ZM, ZW), Eurasian (AM, AZ, BY, KG, KZ, MD, RU, TJ, TM), European (AL, AT, BE, BG, CH, CY, CZ, DE, DK, EE, ES, FI, FR, GB, GR, HR, HU, IE, IS, IT, LT, LU, LV, MC, MK, MT, NL, NO, PL, PT, RO, RS, SE, SI, SK, SM, TR), OAPI (BF, BJ, CF, CG, CI, CM, GA, GN, GQ, GW, ML, MR, NE, SN, TD, TG).

Declarations under Rule 4.17:

- as to applicant's entitlement to apply for and be granted a patent (Rule 4.17(ii))

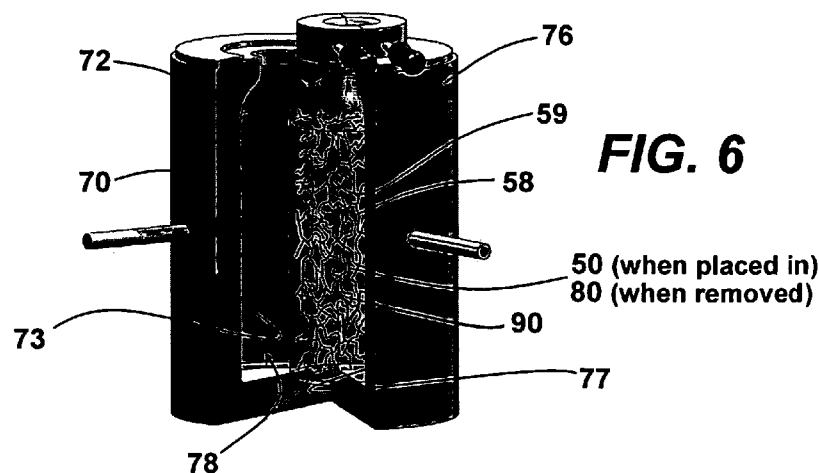
Published:

- with international search report (Art. 21(3))
— before the expiration of the time limit for amending the claims and to be republished in the event of receipt of amendments (Rule 48.2(h))

(88) Date of publication of the international search report:

14 June 2012

- (54) Title: METHOD OF FABRICATING DECORATIVELY-CRACKED GLASS VESSELS



- (57) Abstract: A method of fabricating a decoratively-cracked glass vessel includes gathering a gob of molten glass and depositing the molten-glass gob into a pre-form mold. A quantity of gas is injected into the pre-form mold in order to form the gob into a pre-form vessel having at least one pre-form wall defining a pre-form vessel exterior surface and a pre-form vessel interior surface defining a pre-form cavity. The self-supporting, but still hot, pre-form vessel is removed from the pre-form mold and a surface of the pre-form vessel is rapidly cooled in order to crack in the cooled surface. The heated pre-form vessel is situated within a finish mold and a quantity of gas is injected into the pre-form cavity in order to seal cracks and form the pre-form vessel into a finished vessel having at least one finished vessel wall defining finished vessel interior and exterior surfaces between which cracks are visible.



INTERNATIONAL SEARCH REPORT

International application No.
PCT/IB 11/02690

A. CLASSIFICATION OF SUBJECT MATTER
 IPC(8) - C03B 21/00 (2012.01)
 USPC - 65/103
 According to International Patent Classification (IPC) or to both national classification and IPC

B. FIELDS SEARCHED

Minimum documentation searched (classification system followed by classification symbols)
 USPC -- 65/103

Documentation searched other than minimum documentation to the extent that such documents are included in the fields searched
 USPC -- USPC - 65/102, 111, 64, 72

Electronic data base consulted during the international search (name of data base and, where practicable, search terms used)
 PubWEST (USPT, PGPB, JPAB, EPAB); Google
 Search Terms: Decorated, cracked, glass, mold, preform, bottle, vessel, liquid, gas, water

C. DOCUMENTS CONSIDERED TO BE RELEVANT

Category*	Citation of document, with indication, where appropriate, of the relevant passages	Relevant to claim No.
Y	US 2005/0103053 A1 (Segill et al.) 19 May 2005 (19.05.2005), entire document especially Abstract, para [0005]-[0006] and [0008]	1-15
Y	US 4,013,437 A (Northup) 22 Mar 1977 (22.03.1977), entire document especially Abstract, col 5, ln 5-45, col 6, ln 50-68; Fig 8	1-15
A	US 3,963,503 A (Mackenzie) 15 Jun 1976 (15.06.1976), entire document especially Abstract, col 2, ln 20-45 and col 4, ln 13-25	1-15

Further documents are listed in the continuation of Box C.

* Special categories of cited documents:	"T" later document published after the international filing date or priority date and not in conflict with the application but cited to understand the principle or theory underlying the invention
"A" document defining the general state of the art which is not considered to be of particular relevance	"X" document of particular relevance; the claimed invention cannot be considered novel or cannot be considered to involve an inventive step when the document is taken alone
"E" earlier application or patent but published on or after the international filing date	"Y" document of particular relevance; the claimed invention cannot be considered to involve an inventive step when the document is combined with one or more other such documents, such combination being obvious to a person skilled in the art
"L" document which may throw doubts on priority claim(s) or which is cited to establish the publication date of another citation or other special reason (as specified)	"&" document member of the same patent family
"O" document referring to an oral disclosure, use, exhibition or other means	
"P" document published prior to the international filing date but later than the priority date claimed	

Date of the actual completion of the international search 05 Apr 2012 (05.04.2012)	Date of mailing of the international search report 17 APR 2012
Name and mailing address of the ISA/US Mail Stop PCT, Attn: ISA/US, Commissioner for Patents P.O. Box 1450, Alexandria, Virginia 22313-1450 Facsimile No. 571-273-3201	Authorized officer: Lee W. Young PCT Helpdesk: 571-272-4300 PCT OSP: 571-272-7774