



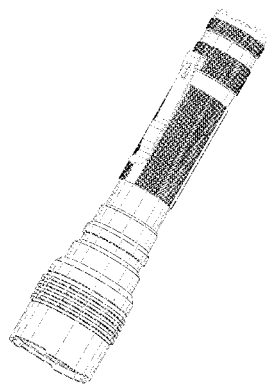
US00D844874S

(12) **United States Design Patent** (10) **Patent No.:** **US D844,874 S**  
**Eichelberger et al.** (45) **Date of Patent:** **\*\* Apr. 2, 2019**

- (54) **LIGHTING DEVICE**
- (71) Applicant: **Streamlight, Inc.**, Eagleville, PA (US)
- (72) Inventors: **Cleatis Eichelberger**, East Norriton, PA (US); **Gregory A. Roshak**, Norristown, PA (US)
- (73) Assignee: **Streamlight, Inc.**, Eagleville, PA (US)
- (\*\*) Term: **15 Years**
- (21) Appl. No.: **29/629,070**
- (22) Filed: **Dec. 11, 2017**
- (51) **LOC (11) Cl.** ..... **26-02**
- (52) **U.S. Cl.**  
USPC ..... **D26/49**
- (58) **Field of Classification Search**  
USPC ..... D26/37-51  
CPC ..... F21L 2003/00; F21L 4/00; F21L 4/005;  
F21L 4/02; F21L 4/025; F21L 4/027;  
F21L 4/04; F21L 4/08; F21L 2005/00;  
F21L 7/00; F21L 11/00; F21L 13/00;  
F21L 13/04; F21L 13/08; F21L 14/02;  
F21L 17/00; F21L 19/00; F21L 25/00  
See application file for complete search history.

2,259,106	A	10/1941	Hager
2,339,356	A	1/1944	Sachs
2,490,830	A	11/1945	Norton
2,467,954	A	4/1949	Becker
2,564,612	A	8/1951	Schneider
D166,073	S	3/1952	Dunkelberger
2,599,295	A	6/1952	Thomas
2,648,762	A	8/1953	Dunkelberger
2,931,005	A	9/1954	Saurwein et al.
D185,496	S	6/1959	Hansen
2,945,944	A	7/1960	Gillespie
2,966,872	A	1/1961	Schmocker
3,041,717	A	7/1962	Brown
3,103,723	A	9/1963	Becker
3,111,277	A	11/1963	Grimsley
3,293,895	A	12/1966	Kohan
3,737,649	A	6/1973	Nelson et al.
D229,854	S	1/1974	Bajusz
D231,560	S	4/1974	Keller
3,829,676	A	8/1974	Nelson et al.
3,835,272	A	9/1974	Wisembaker
3,881,468	A	5/1975	Foltz
3,887,803	A	6/1975	Savage
3,890,498	A	6/1975	Toth
D238,604	S	1/1976	Brindley
4,092,580	A	5/1978	Prinsze
4,114,187	A	9/1978	Uke
4,171,534	A	10/1979	Strowe
4,176,263	A	11/1979	Rousseau
4,203,150	A	5/1980	Shamlian
4,228,485	A	10/1980	Hubbard et al.
4,286,311	A	8/1981	Maglica
4,290,095	A	9/1981	Schmidt
4,346,329	A	8/1982	Schmidt
4,357,648	A	11/1982	Nelson
4,358,708	A	11/1982	Silva et al.
D268,442	S	3/1983	Darmon
4,388,673	A	6/1983	Maglica
4,398,238	A	8/1983	Nelson
4,415,954	A	11/1983	Schaefer
4,417,299	A	11/1983	Rupp
4,472,766	A	9/1984	Hung
4,487,983	A	12/1984	Miller et al.
4,495,550	A	1/1985	Visciano
4,495,551	A	1/1985	Foltz
4,531,178	A	7/1985	Uke
4,577,263	A	3/1986	Maglica
D283,645	S	4/1986	Tanaka
4,656,565	A	4/1987	Maglica
4,658,336	A	4/1987	Maglica
4,841,417	A	6/1989	Maglica et al.
D302,325	S	7/1989	Charet et al.
4,897,769	A	1/1990	Lang

- (56) **References Cited**  
U.S. PATENT DOCUMENTS
- 306,492 A 10/1884 Jackman
- 430,321 A 6/1890 Sargent
- 1,106,828 A 8/1914 Monaghan
- 1,264,520 A 4/1918 Holmes
- 1,584,539 A 2/1922 Hopkins
- 1,680,169 A 3/1922 Osean
- 1,487,983 A 3/1924 Stiriss
- 1,607,647 A 11/1926 Seikot
- 1,623,807 A 4/1927 Oakley
- 1,810,524 A 6/1931 Lyhne
- 1,917,486 A 7/1933 Beck
- 1,919,024 A 7/1933 Abbotts
- 2,016,819 A 10/1935 Meginniss
- 2,097,222 A 10/1937 Tompkins et al.
- 2,183,861 A 12/1939 Cotter



# US D844,874 S

4,939,628 A	7/1990	Wang	D521,164 S	5/2006	Sharrah	
5,008,784 A	4/1991	Wang	D521,170 S	5/2006	Craft et al.	
5,131,775 A	7/1992	Chen	D521,666 S	5/2006	Chean	
5,154,483 A	10/1992	Zeller	D521,667 S	5/2006	Chean	
5,197,796 A	3/1993	Moore	D527,476 S	8/2006	Craft	
D341,220 S	11/1993	Eagan	7,152,995 B2	12/2006	Chapman	
5,303,133 A	4/1994	Wagner	D535,773 S	1/2007	Kessler	
D346,871 S	5/1994	Zeller	D536,116 S	1/2007	Sharrah	
D349,354 S	8/1994	Yau	D544,622 S	6/2007	Cheng	
5,369,556 A	11/1994	Zeller	D548,861 S	8/2007	Chapman	
D364,935 S	12/1995	deBlois	D548,863 S	8/2007	Shiu	
5,499,172 A	3/1996	Shiau	D549,369 S	8/2007	DeBrunner	
D374,734 S	10/1996	Esposito	D553,776 S	10/2007	Liu	
5,571,279 A	11/1996	Chiang	D557,838 S	12/2007	Shiu	
D377,989 S	2/1997	Marvin et al.	D557,839 S	12/2007	Shiu	
D378,858 S	4/1997	Kaiser	D557,840 S	12/2007	Shiu	
5,615,945 A	4/1997	Tseng	D564,116 S *	3/2008	Linardos .....	D26/49
D379,540 S	5/1997	Szymanski	D565,770 S	4/2008	Shiu	
D379,541 S	5/1997	Kaiser	D566,309 S	4/2008	Kornfeld et al.	
D379,542 S	5/1997	Egashira	D568,515 S	5/2008	Liu	
D380,061 S	6/1997	Swyst	D572,170 S	7/2008	Nielsen	
D380,844 S	7/1997	Kaiser	D572,395 S	7/2008	Guelzow et al.	
D381,101 S	7/1997	Haberstich et al.	D574,982 S	8/2008	Lau	
D381,445 S	7/1997	Linnane	D578,236 S	10/2008	Dalton	
D381,447 S	7/1997	Haberstich et al.	D586,025 S	2/2009	Bonis	
D384,446 S	7/1997	Kaiser	D586,489 S	2/2009	Shiu	
5,642,932 A	7/1997	Matthews	D590,881 S	4/2009	Slemp	
D382,075 S	8/1997	Swyst	D603,541 S	11/2009	Shiu	
D383,231 S	9/1997	Kaiser	D603,988 S	11/2009	Sharrah	
D385,637 S	10/1997	Rombough	D603,989 S	11/2009	Gardner et al.	
D387,454 S	12/1997	Kaiser	D622,428 S	8/2010	Crawford et al.	
5,707,137 A	1/1998	Hon	D629,542 S	12/2010	Robinson	
D390,985 S	2/1998	Shiau	D629,544 S	12/2010	Deguglimo et al.	
5,716,121 A	2/1998	DuBois	D641,901 S *	7/2011	Opolka .....	D26/49
5,717,276 A	2/1998	Hsu	D647,232 S	10/2011	Liu	
D392,758 S	3/1998	Cedarberg	D647,654 S	10/2011	Li	
5,722,764 A	3/1998	Jou	D649,275 S	11/2011	Crawford et al.	
D394,721 S	5/1998	Santarsiero	D655,027 S	2/2012	Miltz et al.	
D403,451 S	12/1998	Ting	D673,710 S	1/2013	Eichelberger	
D403,453 S	12/1998	Shiau	D688,402 S	8/2013	Roshak et al.	
D404,157 S	1/1999	Carbone	D698,961 S *	2/2014	Dalton .....	D26/49
D407,508 S	3/1999	Chiu	D709,232 S *	7/2014	Inskeep .....	D26/49
5,975,712 A	11/1999	Shiao	D709,233 S *	7/2014	Inskeep .....	D26/49
D418,235 S	12/1999	Houplain	D709,234 S *	7/2014	Inskeep .....	D26/49
D418,240 S	12/1999	Sherman	D710,526 S *	8/2014	Lee .....	D26/49
6,000,809 A	12/1999	Belo	D716,984 S *	11/2014	Inskeep .....	D26/49
6,004,004 A	12/1999	Altman et al.	D745,987 S *	12/2015	Nawaz .....	D22/117
6,007,214 A	12/1999	Shiao	D747,024 S *	1/2016	Windom .....	D26/49
D419,704 S	1/2000	Ting	9,341,325 B2	5/2016	Sharrah et al.	
D429,534 S	8/2000	Sengsouvanh et al.	D774,229 S *	12/2016	Prieto .....	D26/49
D435,679 S	12/2000	Naghi et al.	D785,842 S *	5/2017	Huang .....	D26/49
6,280,050 B1	8/2001	Bird et al.	D786,466 S *	5/2017	Prieto .....	D26/49
6,296,371 B1	10/2001	Shiau	D794,857 S *	8/2017	Sharrah .....	D26/49
D450,873 S	11/2001	Opolka	D809,169 S *	1/2018	Grandadam .....	D26/38
D452,024 S	12/2001	Sharrah	D810,337 S *	2/2018	Eichelberger .....	D26/49
6,347,878 B1	2/2002	Shiao	D814,088 S *	3/2018	Cao .....	D26/49
6,402,340 B1	6/2002	Sharrah et al.	D816,251 S *	4/2018	Johnson .....	D26/49
6,471,064 B2	10/2002	Gordon	D818,622 S *	5/2018	Kunzendorf .....	D26/49
D465,865 S	11/2002	Hamilton et al.	D828,940 S *	9/2018	Qiu .....	D26/49
6,523,972 B2	2/2003	Sharrah et al.	D833,051 S *	11/2018	Qiu .....	D26/49
RE38,014 E	3/2003	Bieberstein	2009/0323344 A1	12/2009	Crawford et al.	
D479,888 S	9/2003	Sharrah et al.	2016/0033090 A1	2/2016	Sharrah	
D481,816 S	11/2003	Sharrah et al.				
D485,629 S	1/2004	Chan				
6,680,844 B2	1/2004	Kim				
D486,930 S	2/2004	Stoddard et al.				
6,718,136 B2	4/2004	Bird et al.				
D489,839 S	5/2004	Opolka				
D497,214 S	10/2004	Lo				
6,811,280 B1	11/2004	Sharrah et al.				
D499,499 S	12/2004	Cetera				
D502,277 S	2/2005	Chen				
6,857,758 B1	2/2005	Sharrah et al.				
6,874,908 B2	4/2005	Sharrah et al.				
6,886,960 B2	5/2005	Sharrah et al.				
D507,839 S	7/2005	Man				
D508,748 S	8/2005	Man				
D518,212 S	3/2006	Shiu				
D518,906 S	4/2006	Stoddard et al.				

## FOREIGN PATENT DOCUMENTS

AU	138873	4/1947
CA	595051 A	3/1960
DE	339828 C	5/1952
FR	2372382 A1	11/1976
GB	411218 A	6/1934
GB	549104 A	11/1942
GB	812980 A	5/1959

## OTHER PUBLICATIONS

Big Larry Power Work Light [online]. [Retrieved on Aug. 22, 2017]  
Retrieved from the internet: <[https://www.nebotools.com/prod\\_details.php?id=363&cid=&subid=&subsubcid=>](https://www.nebotools.com/prod_details.php?id=363&cid=&subid=&subsubcid=>)>.

Big Larry Pro Power Work Light [online]. [Retrieved on Aug. 22, 2017] Retrieved from the internet: <[https://www.nebotools.com/prod\\_details.php?id=487&cid=&subid=&subsubcid=](https://www.nebotools.com/prod_details.php?id=487&cid=&subid=&subsubcid=)>.

Lil Larry Power Pocket Light [online]. [Retrieved on Aug. 22, 2017] Retrieved from the internet: <[https://www.nebotools.com/prod\\_details.php?id=403&cid=&subid=&subsubcid=](https://www.nebotools.com/prod_details.php?id=403&cid=&subid=&subsubcid=)>.

Streamlight Stylus Pen Light [online]. [Retrieved on Aug. 22, 2017] Retrieved from the internet: <<http://www.streamlight.com/products/detail/index/stylus>>.

Streamlight Stylus Pro 360 Pen Light [online]. [Retrieved on Aug. 22, 2017] Retrieved from the internet: <<http://www.streamlight.com/products/detail/index/stylus-pro-360>>.

Streamlight Stylus Pro Pen Light [online]. [Retrieved on Aug. 22, 2017] Retrieved from the internet: <<http://www.streamlight.com/products/detail/index/stylus-pro>>.

Streamlight Stylus Pro Reach Pen Light [online]. [Retrieved on Aug. 22, 2017] Retrieved from the internet: <<http://www.streamlight.com/products/detail/index/stylus-pro-reach>>.

Streamlight Stylus Pro USB Pen Light [online]. [Retrieved on Aug. 22, 2017] Retrieved from the internet: <<http://www.streamlight.com/products/detail/index/stylus-pro-usb>>.

Streamlight Stylus Reach Pen Light [online]. [Retrieved on Aug. 22, 2017] Retrieved from the internet: <<http://www.streamlight.com/products/detail/index/stylus-reach>>.

Streamlight Protac HL-4 Flashlight [online]. [Retrieved on Oct. 18, 2017] Retrieved from the internet: <<http://www.streamlight.com/products/detail/index/protac-hl-4>>.

Streamlight Protac HL-3 Flashlight [online]. [Retrieved on Oct. 27, 2017] Retrieved from the internet: <<http://www.streamlight.com/en/products/detail/index/protac-hl-3>>.

Streamlight Protac HL Handheld Flashlight [online]. [Retrieved on Nov. 1, 2017] Retrieved from the internet: <<http://www.streamlight.com/en/products/detail/index/protac-hl>>.

Streamlight Protac HL USB Flashlight [online]. [Retrieved on Nov. 11, 2017] Retrieved from the internet: <<http://www.streamlight.com/en/products/detail/index/protac-hl-usb>>.

Streamlight Protac HL-X Flashlight [online]. [Retrieved on Nov. 1, 2017] Retrieved from the internet: <<http://www.streamlight.com/en/products/detail/index/protac-hl-x>>.

\* cited by examiner

*Primary Examiner* — Karen E Kearney

*Assistant Examiner* — Carissa C Fitts

(74) *Attorney, Agent, or Firm* — Design IP

(57)

### CLAIM

The ornamental design for a lighting device, as shown and described.

### DESCRIPTION

FIG. 1 is a front perspective view of a lighting device showing our new design;

FIG. 2 is a right side elevation view thereof;

FIG. 3 is a left side elevation view thereof;

FIG. 4 is a front elevation view thereof;

FIG. 5 is a rear elevation view thereof;

FIG. 6 is a top plan view thereof;

FIG. 7 is a bottom plan view thereof; and,

FIG. 8 is a front elevation view thereof, with portions of the lighting device in an alternate configuration.

The dashed broken lines in FIGS. 1-5, 7, and 8 show unclaimed portions of the lighting device. The dashed-dotted broken lines in FIGS. 1-5, 7, and 8 show unclaimed boundaries between claimed and unclaimed subject matter. It should be understood that the dashed-dotted boundary line located at the bottom of the lighting device is located along its bottom, outermost perimeter edge. It should be further understood that the dashed-dotted boundary line located near the middle of the lighting device in FIG. 8 continues circumferentially around the lighting device, such that this boundary line forms a circle. In FIG. 8, it should be further understood that: (1) the unclaimed inwardly-sloped surface located immediately below this dashed-dotted boundary line continues uniformly around the perimeter of the lighting device; and (2) the two outermost vertical lines located immediately below this inwardly-sloped surface represent the outer edges of an unclaimed cylindrical portion, which is otherwise unornamented on its exterior surface except as shown in FIG. 8. Any portions of the lighting device that are concealed by the clip member in the Figures do not form part of the claimed design. Any portions of the top end or interior contour surfaces of the lighting device that are not shown in the Figures do not form part of the claimed design. The oblique line shading in FIG. 6 shows a translucent or transparent material. The remaining line shading in FIGS. 1-8 show surface contours, not surface ornamentation.

**1 Claim, 7 Drawing Sheets**

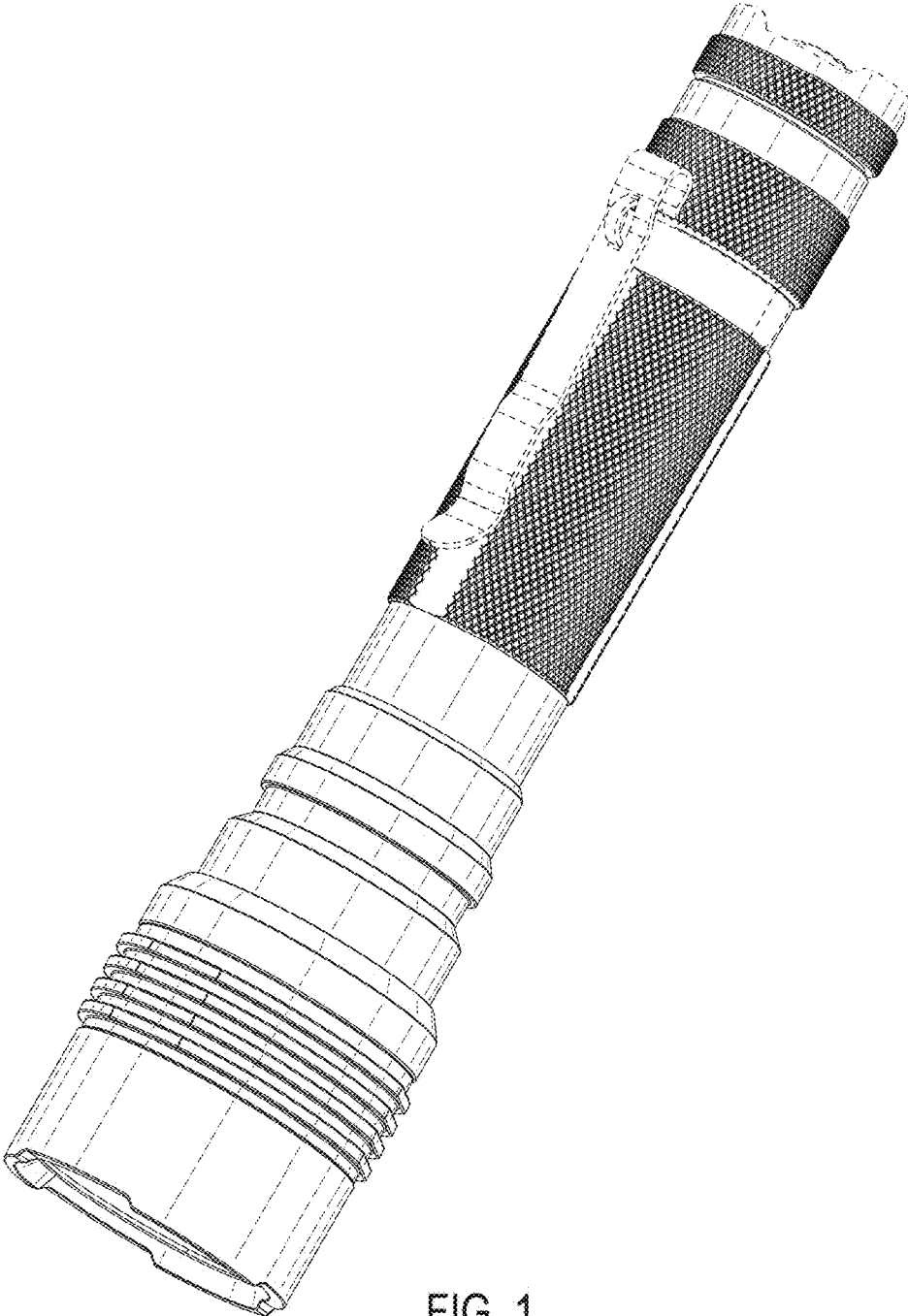


FIG. 1

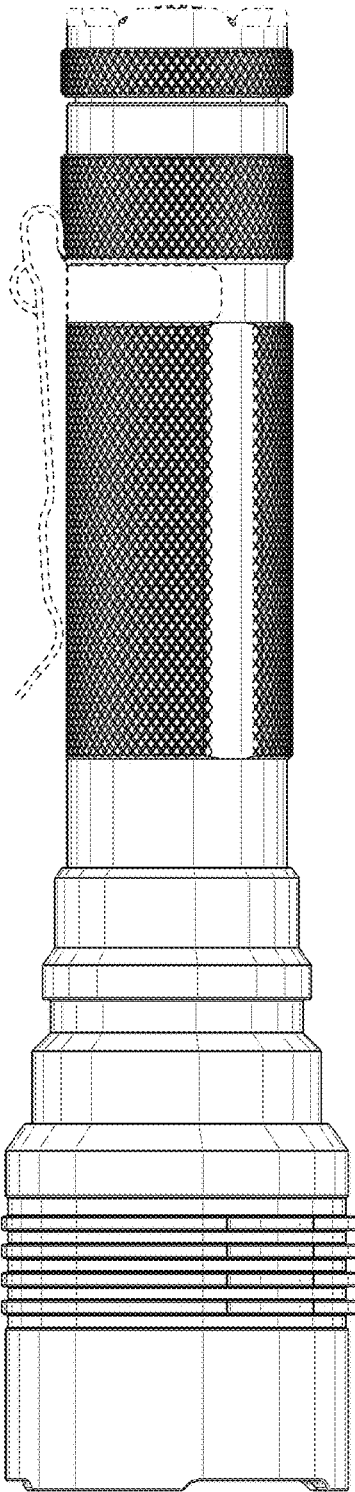


FIG. 2

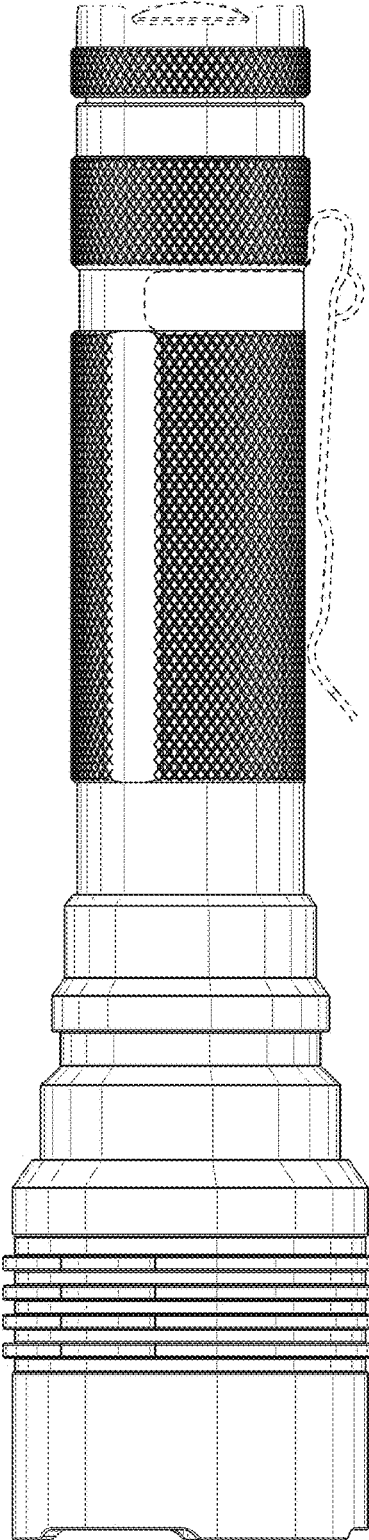


FIG. 3

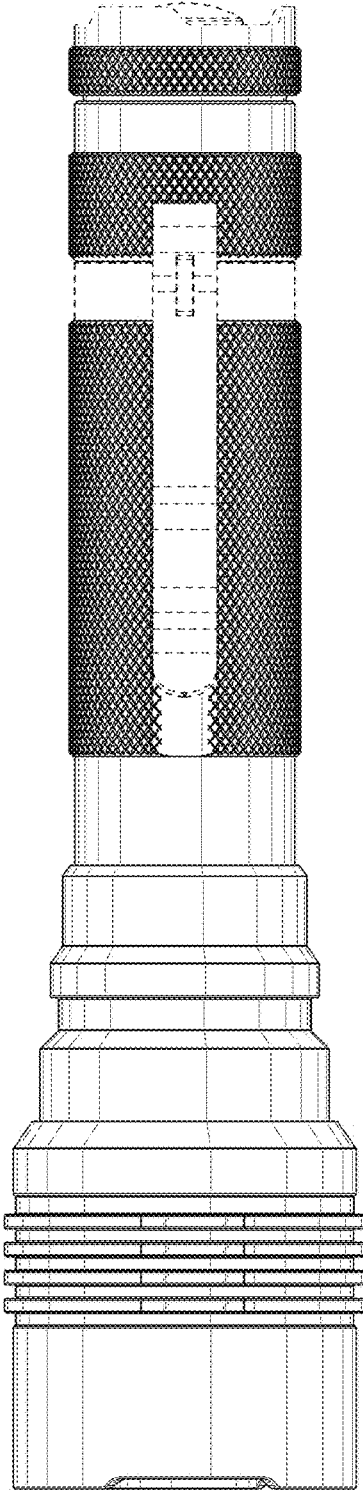


FIG. 4

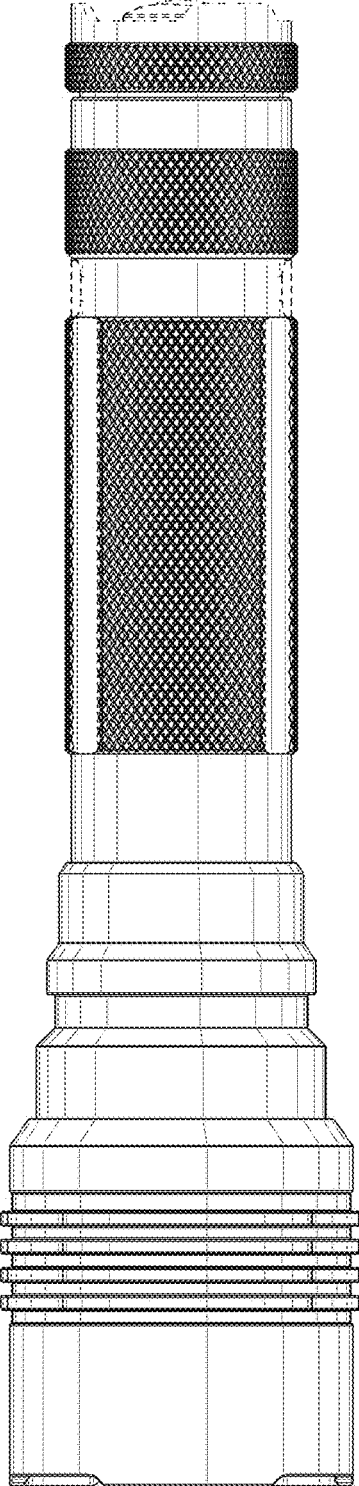


FIG. 5



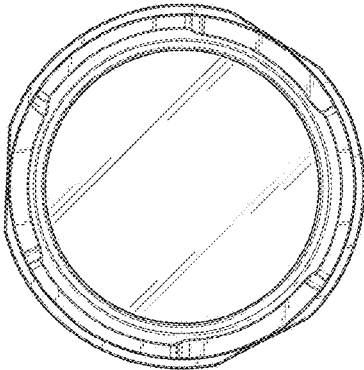


FIG. 6

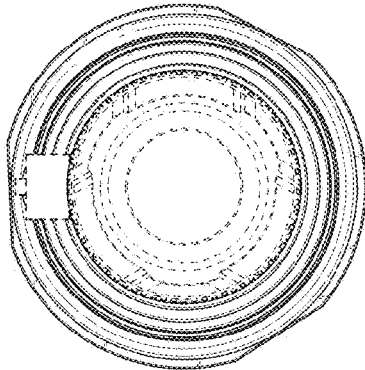


FIG. 7

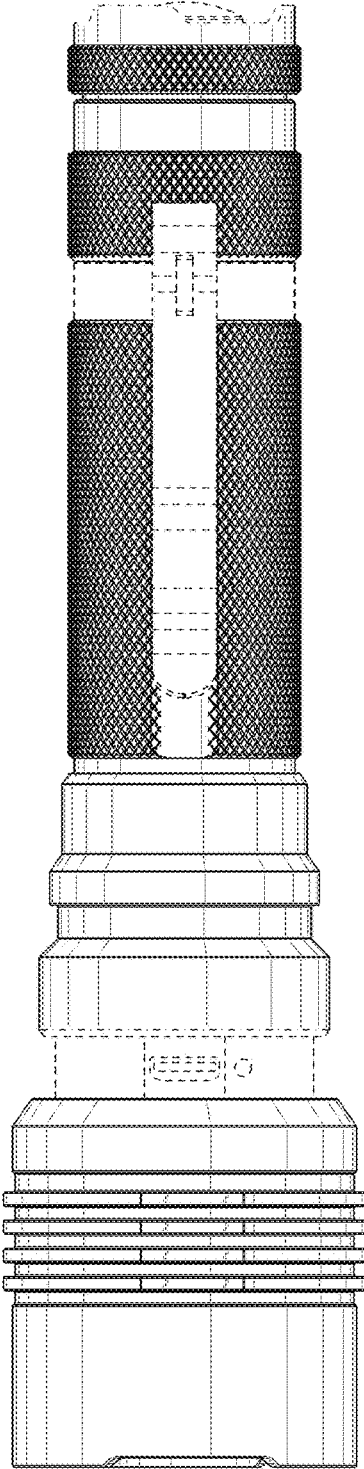


FIG. 8