



US00D762467S

(12) **United States Design Patent**
Bordieri et al.

(10) **Patent No.:** **US D762,467 S**

(45) **Date of Patent:** **** Aug. 2, 2016**

(54) **CONTAINER WITH BUTTERFLY LID CLOSURE**

(71) Applicant: **State Garden, Inc.**, Chelsea, MA (US)

(72) Inventors: **Anthony Bordieri**, Medfore, MA (US);
Marco Tulio Barbier, Dover, MA (US);
Hector Echaniz, Brookline, MA (US);
Lawrence Murdoch, Greenville, RI (US);
Michael Bransfield, Revere, MA (US);
Joseph T. Ronchetti, Cambridge, MA (US)

(73) Assignee: **STATE GARDEN, INC.**, Chelsea, MA (US)

(**) Term: **14 Years**

(21) Appl. No.: **29/502,215**

(22) Filed: **Sep. 12, 2014**

(51) **LOC (10) Cl.** **09-03**

(52) **U.S. Cl.**
USPC **D9/421**

(58) **Field of Classification Search**

USPC D9/414, 416, 420-432, 450, 454-457,
D9/759; D7/601, 629, 605, 607, 392.1;
D3/272, 273, 302, 278, 294; 206/267,
206/269, 273, 299, 737, 740, 822;
220/254.1, 791, 793
CPC B65D 43/164; B65D 17/163; B65D
2543/00648; B65D 2543/0099; B65D 43/162
See application file for complete search history.

(56) **References Cited**

U.S. PATENT DOCUMENTS

5,277,329 A * 1/1994 Pomroy et al. 220/526
D348,607 S * 7/1994 Young D9/423
5,330,069 A * 7/1994 Jamison et al. 220/819
D448,166 S * 9/2001 Zimmerman D3/273
6,540,078 B1 * 4/2003 Homent et al. 206/438
D493,282 S * 7/2004 Dubois et al. D3/273

D501,722 S * 2/2005 Zimmerman D3/294
D623,482 S * 9/2010 Lam D7/629
D631,741 S * 2/2011 Hubbard et al. D9/433
D643,717 S * 8/2011 Reinhart et al. D9/435
D668,555 S * 10/2012 Archie et al. D9/761
D679,198 S * 4/2013 O'Connor et al. D9/756
D684,465 S * 6/2013 Vernon et al. D9/432
D708,941 S * 7/2014 Das D9/432
2006/0289665 A1 * 12/2006 Yoda 237/12.3 R
2008/0277397 A1 * 11/2008 Vovan 220/522
2010/0282752 A1 * 11/2010 Lam 220/326

(Continued)

Primary Examiner — Philip S Hyder

Assistant Examiner — Keith Frank

(74) *Attorney, Agent, or Firm* — Buchanan, Ingersoll & Rooney PC

(57) **CLAIM**

The ornamental design for a container with butterfly lid closure, as shown and described.

DESCRIPTION

FIG. 1 is a front, left perspective view of a container with butterfly lid closure showing our new design, in a closed configuration.

FIG. 2 is a left side elevational view thereof.

FIG. 3 is a right side elevational view thereof.

FIG. 4 is a front elevational view thereof.

FIG. 5 is a rear elevational view thereof.

FIG. 6 is a top plan view thereof.

FIG. 7 is a bottom plan view thereof.

FIG. 8 is a front, left perspective view thereof, in an open configuration.

FIG. 9 is a left side elevational view thereof.

FIG. 10 is a right side elevational view thereof.

FIG. 11 is a front elevational view thereof.

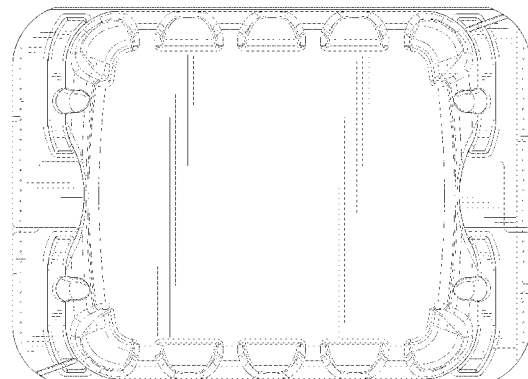
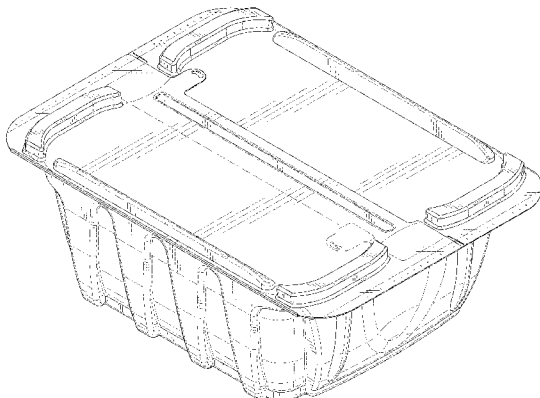
FIG. 12 is a rear elevational view thereof.

FIG. 13 is a top plan view thereof; and,

FIG. 14 is a bottom plan view thereof.

The broken line showing of small dots in the drawings forms no part of the claimed design.

1 Claim, 14 Drawing Sheets



US D762,467 S

Page 2

(56)

References Cited

U.S. PATENT DOCUMENTS

2014/0021214 A1*	1/2014	Jack	220/826
2014/0027458 A1*	1/2014	Liu	220/270
2015/0076168 A1*	3/2015	Barbier et al.	220/826
2013/0233874 A1*	9/2013	Sundnes	220/826

* cited by examiner

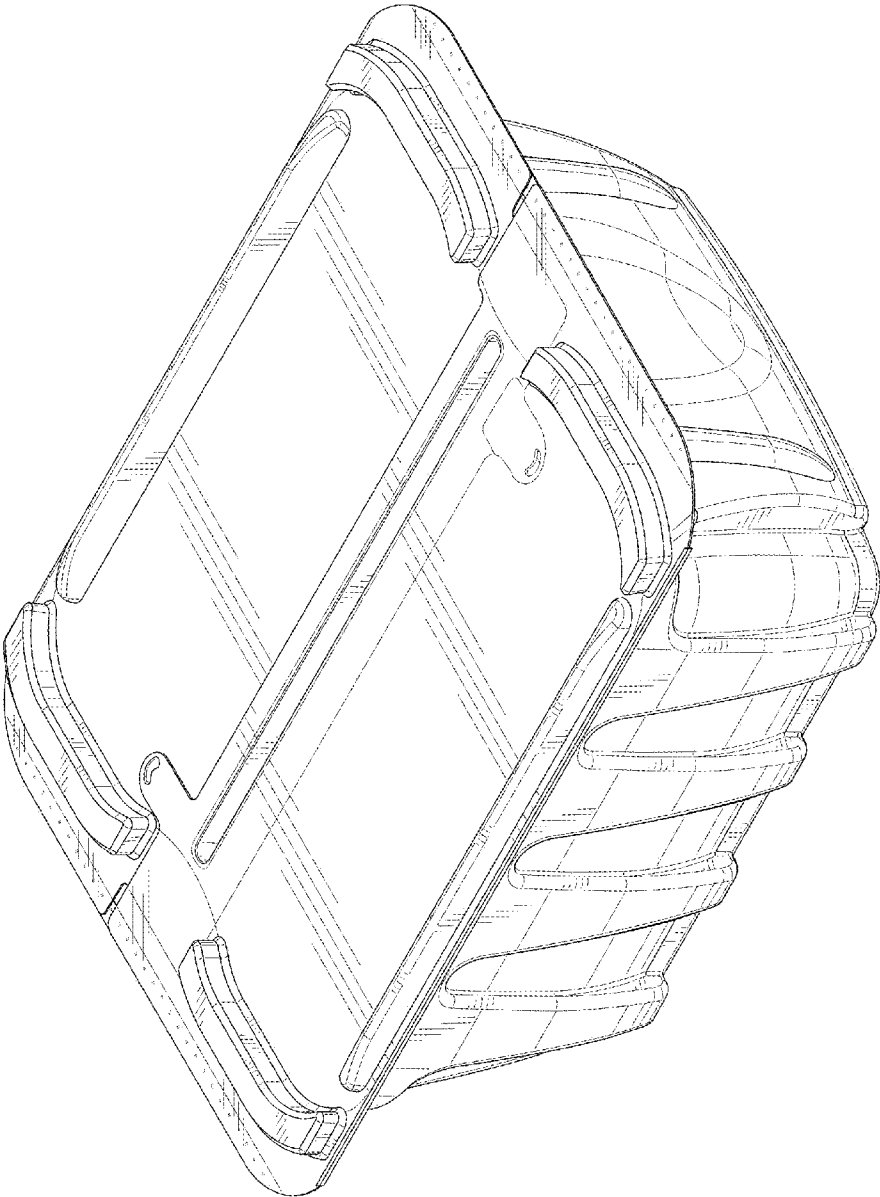


FIG. 1

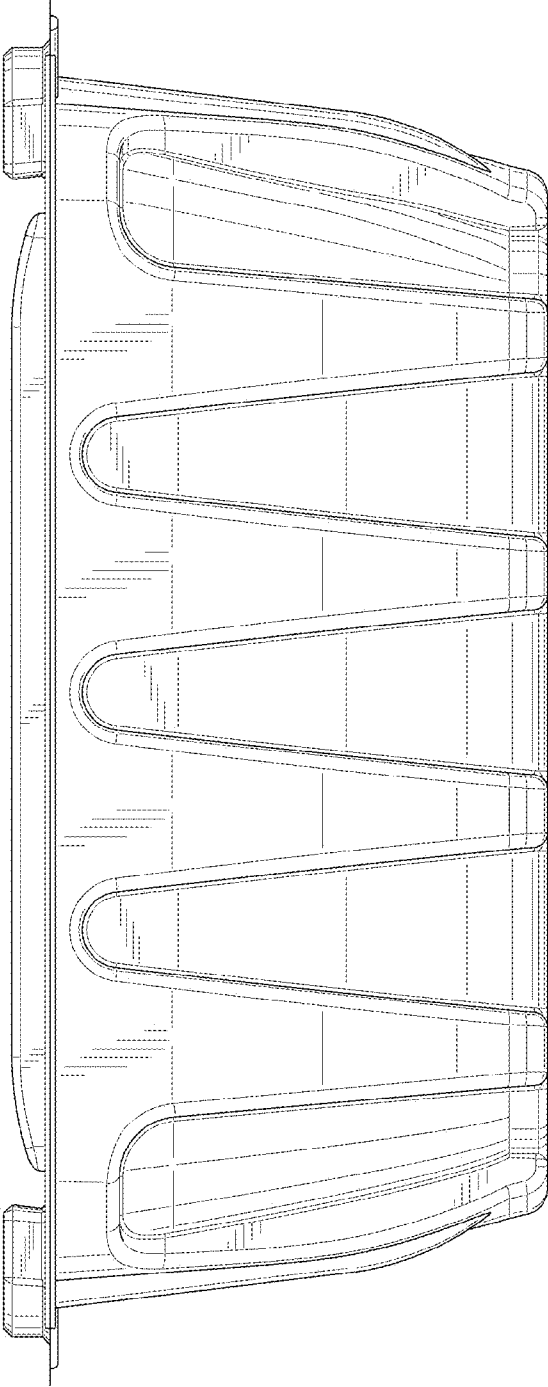


FIG. 2

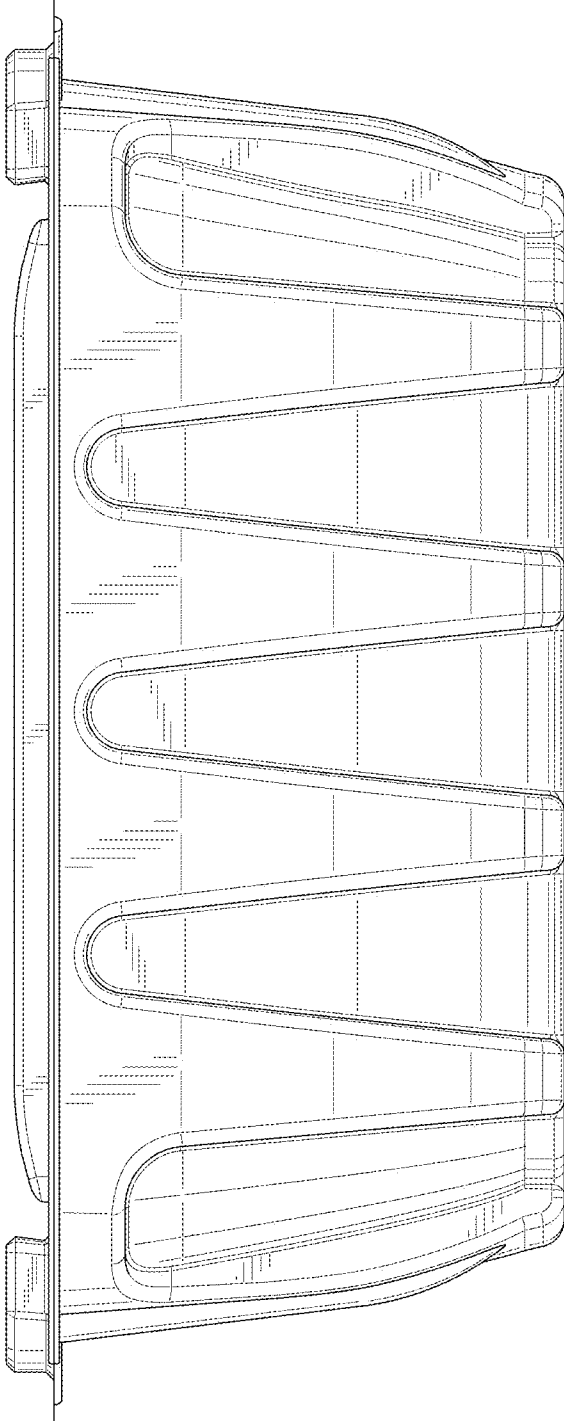


FIG. 3

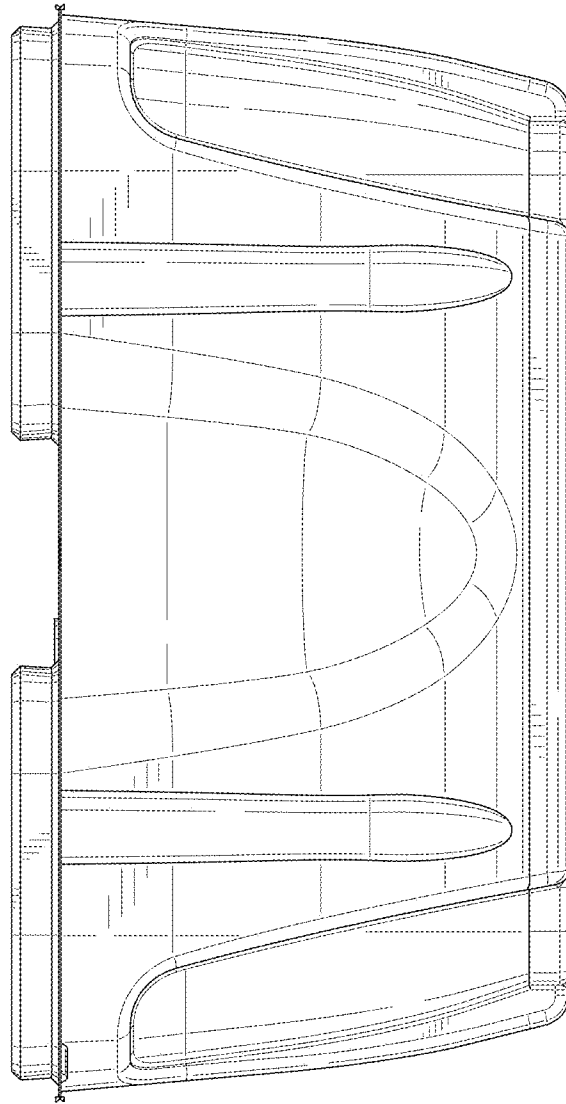


FIG. 4

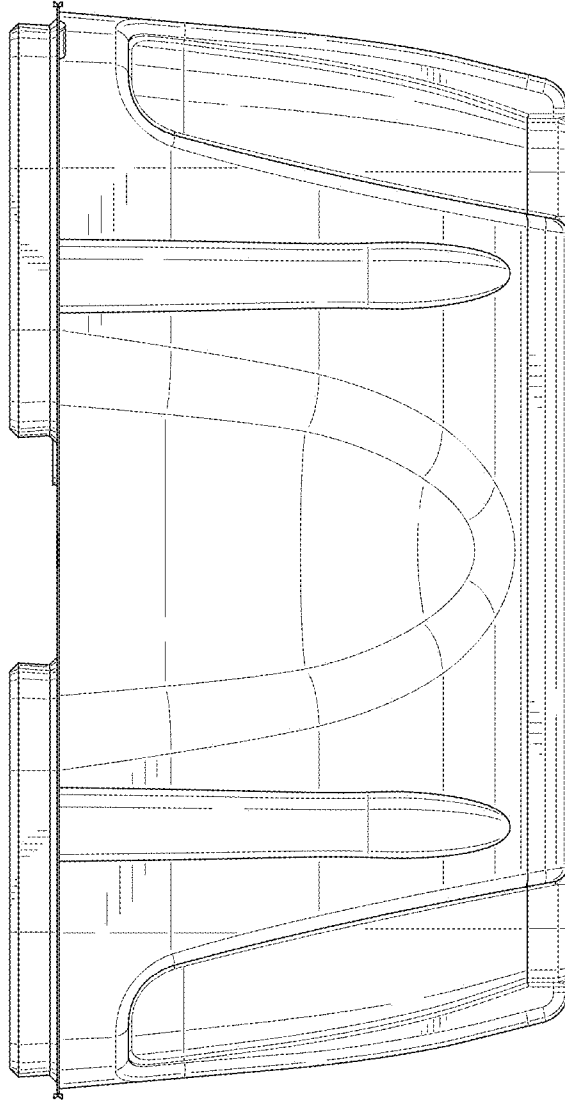


FIG. 5

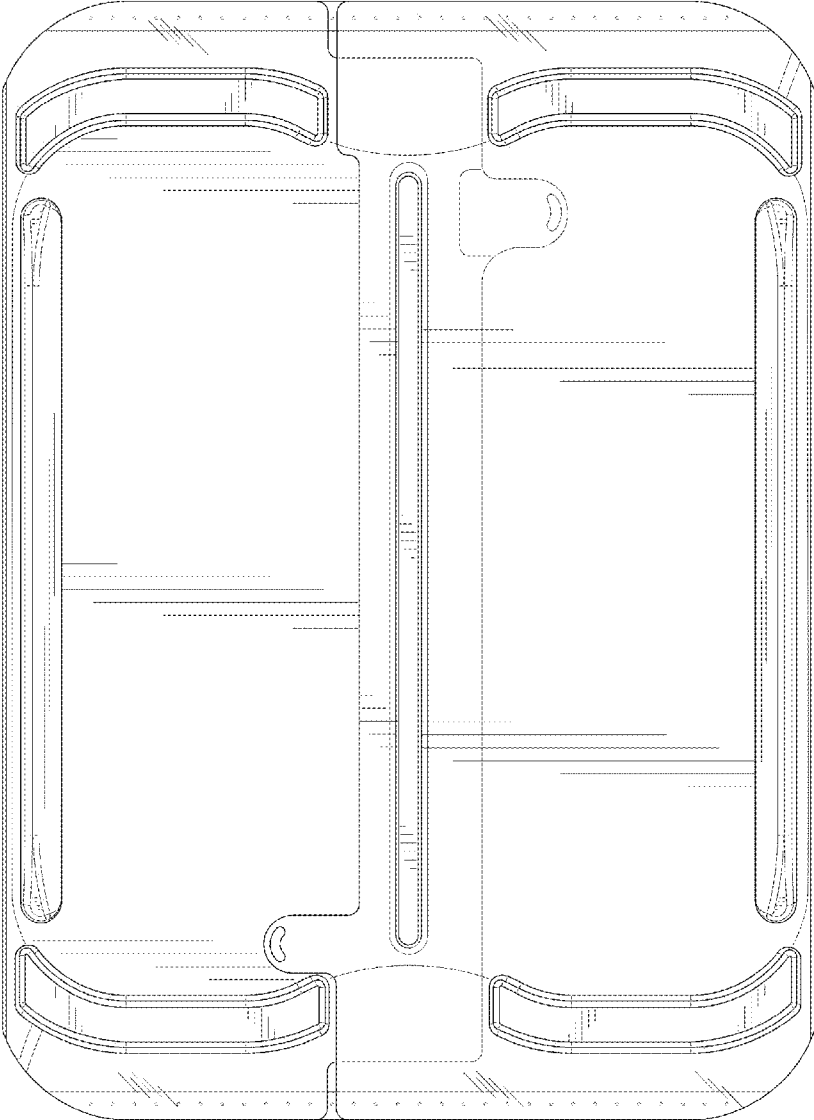


FIG. 6

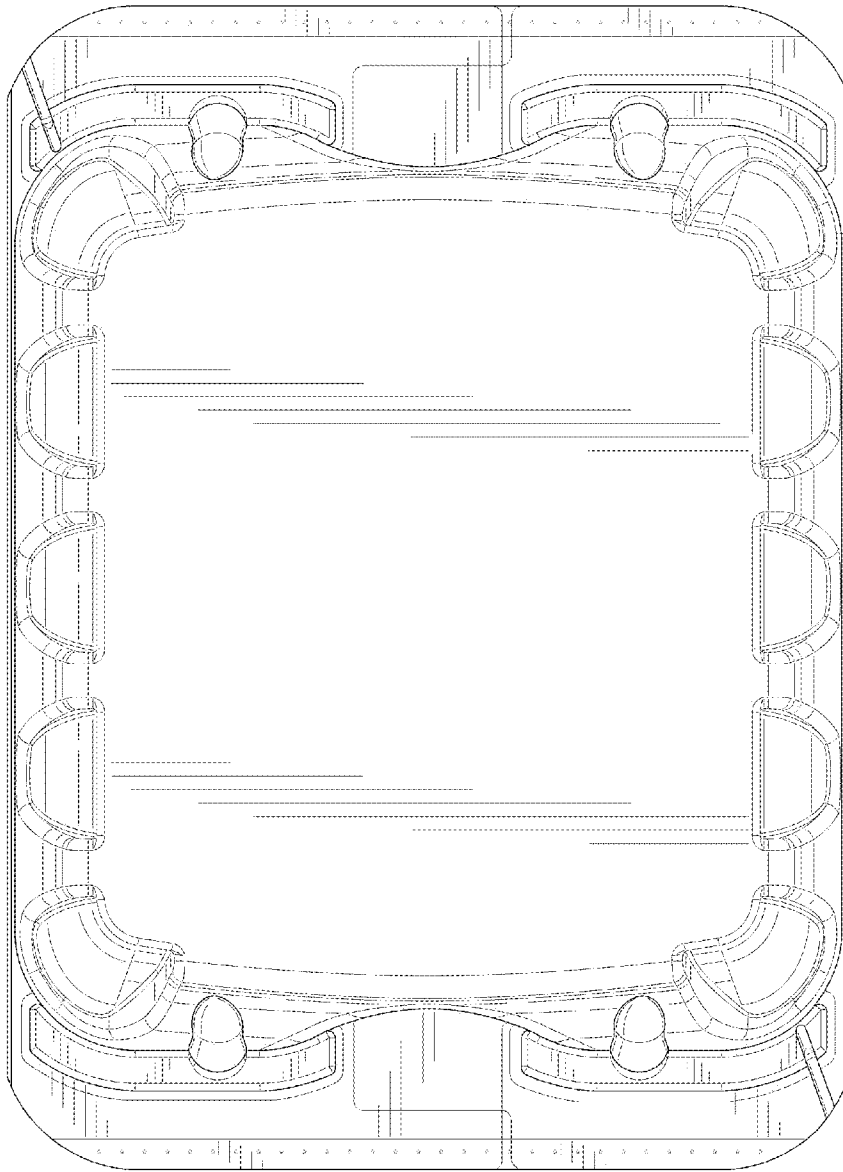


FIG. 7

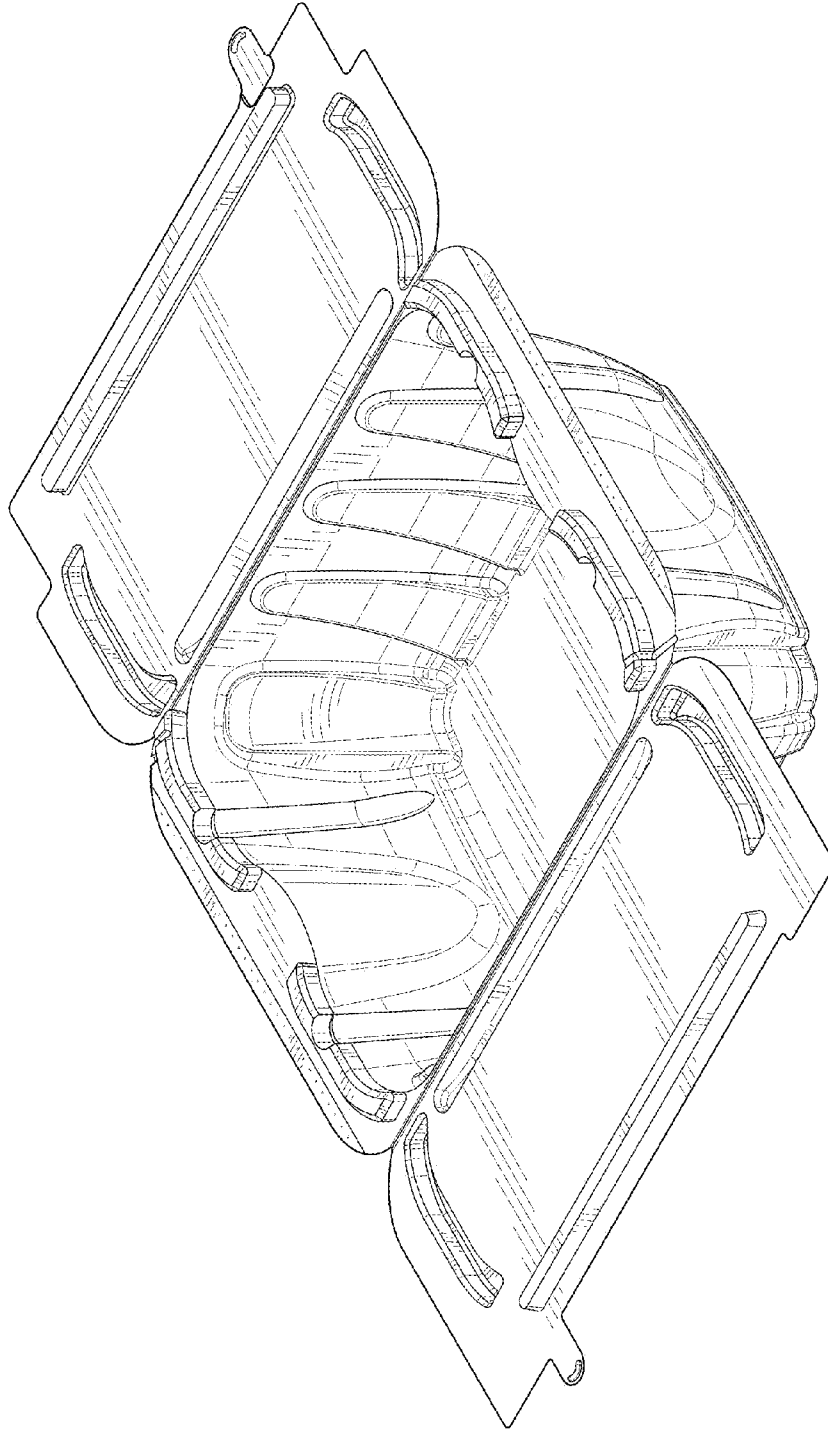


FIG. 8

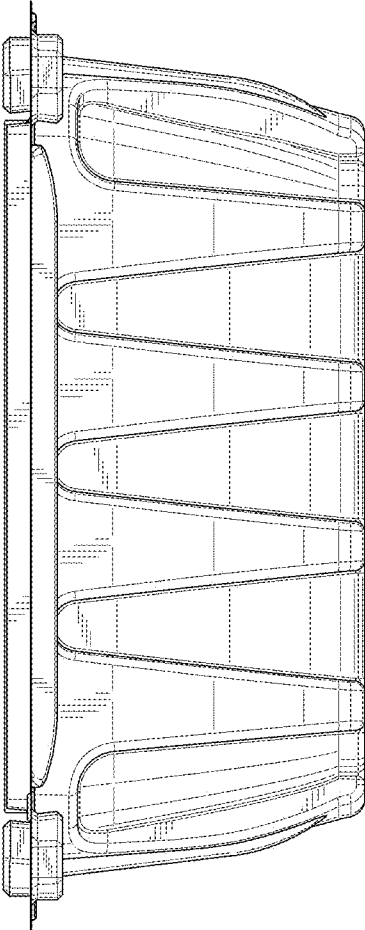


FIG. 9

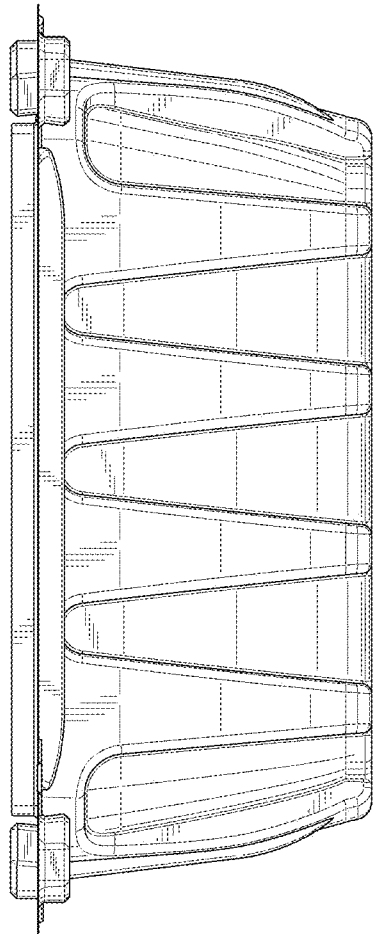


FIG. 10

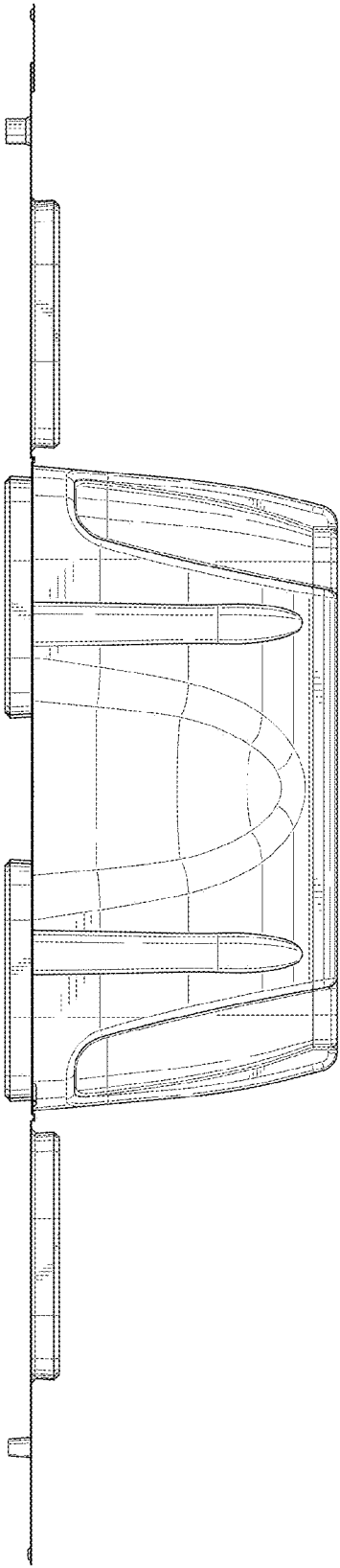


FIG. 11

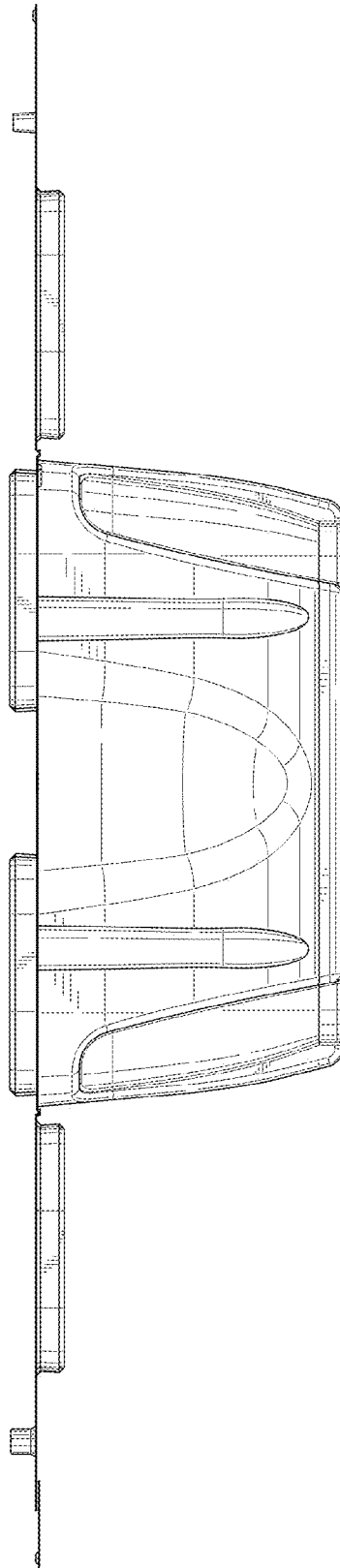


FIG. 12

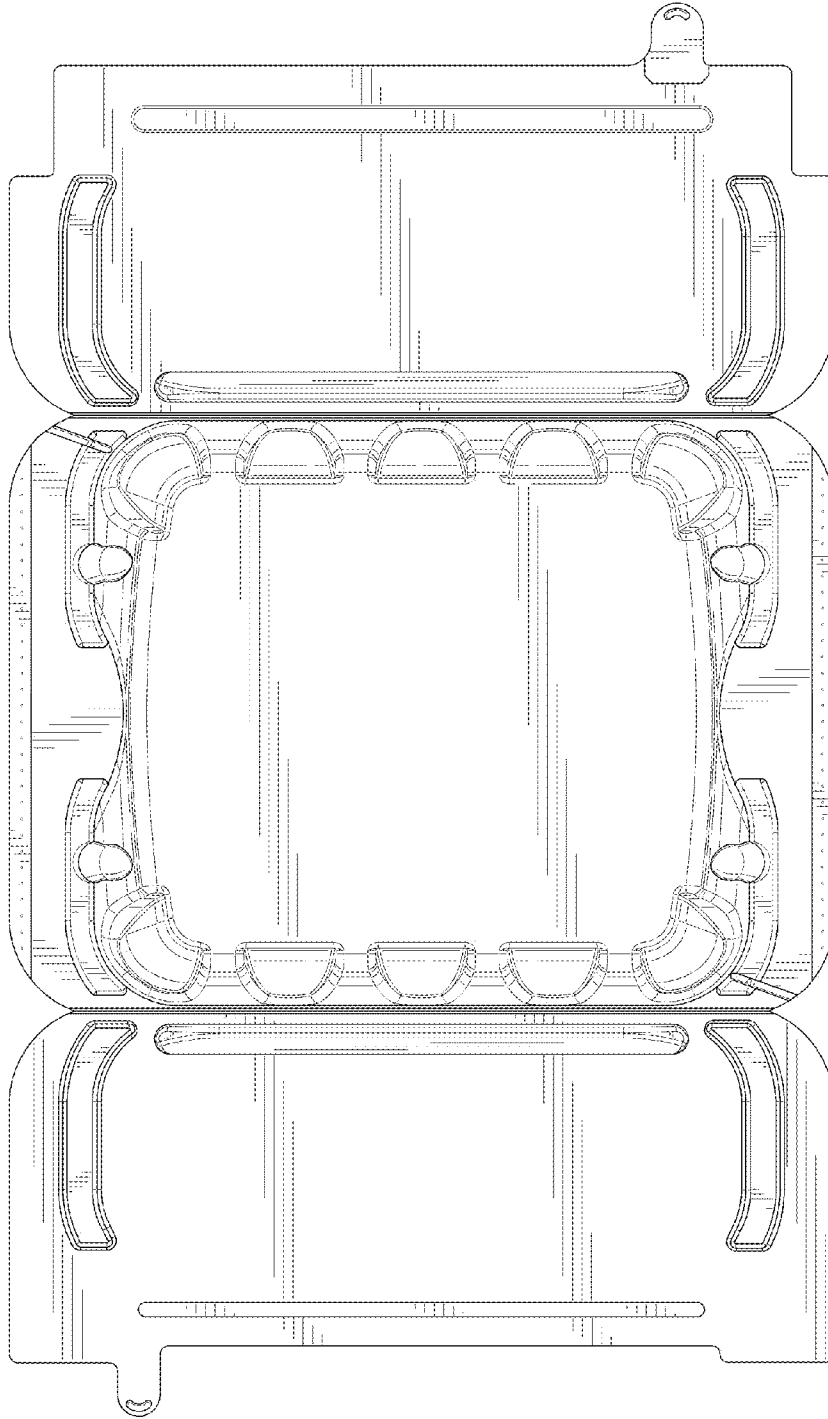


FIG. 13

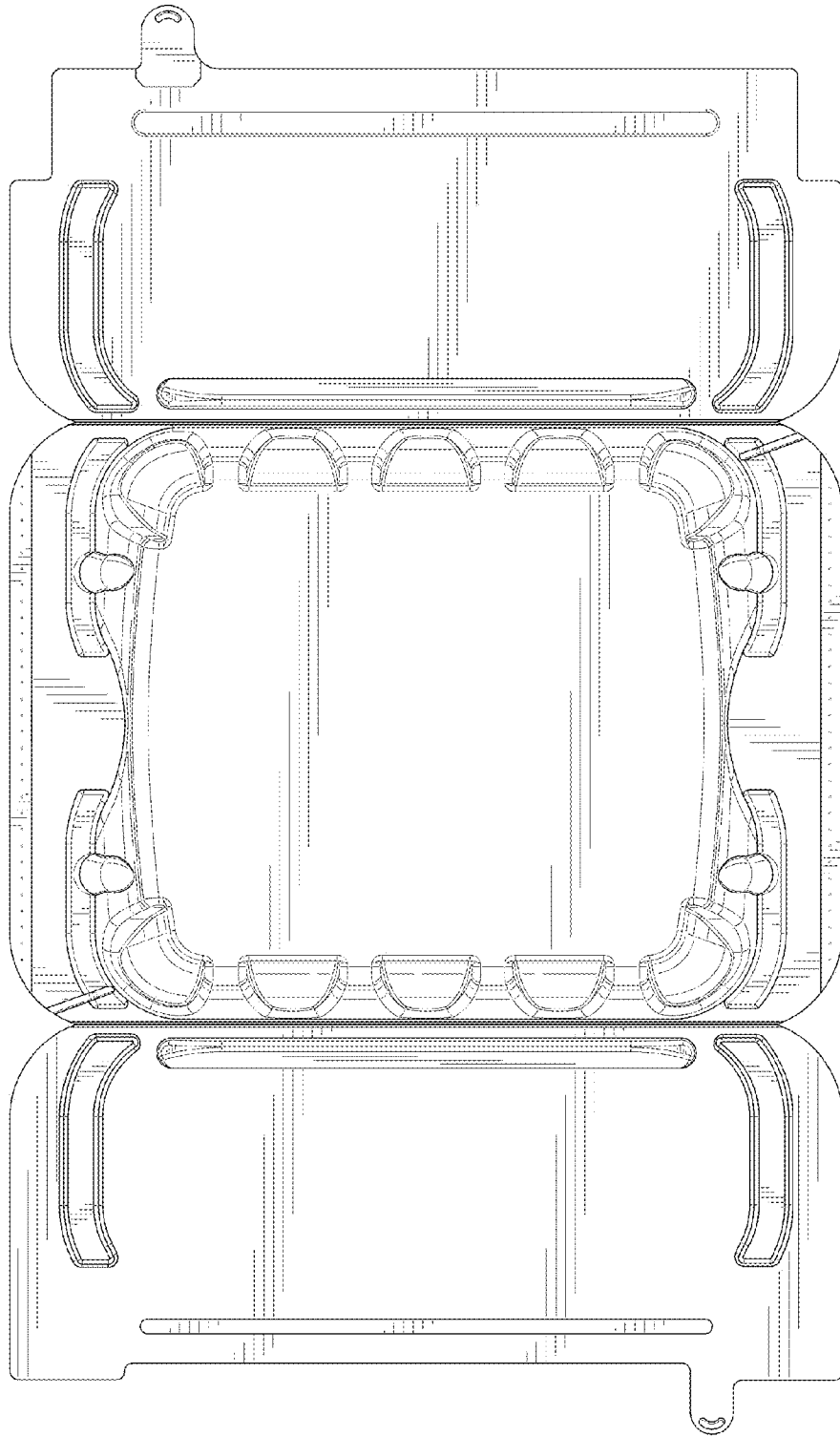


FIG. 14