

(19) World Intellectual Property Organization
International Bureau



(43) International Publication Date
7 September 2001 (07.09.2001)

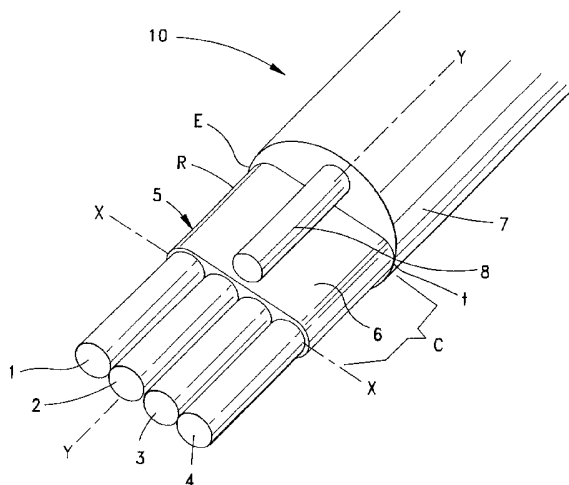
PCT

(10) International Publication Number
WO 01/065285 A3

- (51) International Patent Classification⁷: **G02B 6/44**
- (21) International Application Number: PCT/US01/02879
- (22) International Filing Date: 26 January 2001 (26.01.2001)
- (25) Filing Language: English
- (26) Publication Language: English
- (30) Priority Data:
09/514,091 28 February 2000 (28.02.2000) US
- (71) Applicant (for all designated States except US): **CORNING CABLE SYSTEMS LLC** [US/US]; 800 17th Street NW, P.O. Box 489, Hickory, NC 28603 (US).
- (72) Inventors; and
- (75) Inventors/Applicants (for US only): **LUTHER, James, P.** [US/US]; 5242 Stephen Lane, Hickory, NC 28601 (US). **ZIMMER, Rainer** [DE/DE]; Im Strucken 72, 5885 Schalksmuhle (DE).
- (74) Agent: **ABERLE, Timothy, J.**; 800 17th Street NW, P.O. Box 489, Hickory, NC 28603 (US).
- (81) Designated States (national): AE, AG, AL, AM, AT, AU, AZ, BA, BB, BG, BR, BY, BZ, CA, CH, CN, CR, CU, CZ, DE, DK, DM, DZ, EE, ES, FI, GB, GD, GE, GH, GM, HR, HU, ID, IL, IN, IS, JP, KE, KG, KP, KR, KZ, LC, LK, LR, LS, LT, LU, LV, MA, MD, MG, MK, MN, MW, MX, MZ, NO, NZ, PL, PT, RO, RU, SD, SE, SG, SI, SK, SL, TJ, TM, TR, TT, TZ, UA, UG, US, UZ, VN, YU, ZA, ZW.
- (84) Designated States (regional): ARIPO patent (GH, GM, KE, LS, MW, MZ, SD, SL, SZ, TZ, UG, ZW), Eurasian patent (AM, AZ, BY, KG, KZ, MD, RU, TJ, TM), European patent (AT, BE, CH, CY, DE, DK, ES, FI, FR, GB, GR, IE, IT, LU, MC, NL, PT, SE, TR), OAPI patent (BF, BJ, CF, CG, CI, CM, GA, GN, GW, ML, MR, NE, SN, TD, TG).
- Published:
— with international search report
- (88) Date of publication of the international search report:
31 July 2003

For two-letter codes and other abbreviations, refer to the "Guidance Notes on Codes and Abbreviations" appearing at the beginning of each regular issue of the PCT Gazette.

(54) Title: OPTICAL FIBER RIBBON CABLES WITH CONTROLLED BENDING BEHAVIOR



(57) Abstract: An optical fiber ribbon cable (10) having an overall bending behavior including an optical fiber ribbon with optical fibers (1-4) generally planarly aligned along an optical ribbon plane and surrounded by a common matrix coating (5) having lateral edge surfaces (6). The cable includes a cable jacket (7), the cable jacket including stiffening members (81) generally aligned along a stiffening member plane generally orthogonal to the optical ribbon plane, the cable jacket including an exterior profile having complementary surfaces. The complementary surfaces are respectively disposed adjacent to lateral edges, with respective thicknesses defined between the complementary surfaces and the lateral edge surfaces. At least one of the thicknesses is about 0 to 1,000 μm . The optical ribbon plane and the stiffening member plane comprise respective bending moduli during cable bending that contribute to the overall cable bending behavior.



WO 01/065285 A3

INTERNATIONAL SEARCH REPORT

ational Application No
PCT/US 01/02879

A. CLASSIFICATION OF SUBJECT MATTER IPC 7 G02B6/44		
According to International Patent Classification (IPC) or to both national classification and IPC		
B. FIELDS SEARCHED Minimum documentation searched (classification system followed by classification symbols) IPC 7 G02B		
Documentation searched other than minimum documentation to the extent that such documents are included in the fields searched		
Electronic data base consulted during the international search (name of data base and, where practical, search terms used) EPO-Internal, PAJ, WPI Data		
C. DOCUMENTS CONSIDERED TO BE RELEVANT		
Category *	Citation of document, with indication, where appropriate, of the relevant passages	Relevant to claim No.
A	US 5 319 730 A (RAESAENEN TIMO ET AL) 7 June 1994 (1994-06-07) the whole document ---	1,4
A	US 5 982 966 A (BONICEL JEAN-PIERRE) 9 November 1999 (1999-11-09) the whole document ---	1
A	PATENT ABSTRACTS OF JAPAN vol. 1999, no. 08, 30 June 1999 (1999-06-30) -& JP 11 072669 A (FURUKAWA ELECTRIC CO LTD;THE;NIPPON TELEGR & AMP; TELEPH CORP < NTT&), 16 March 1999 (1999-03-16) the whole document --- -/--	1,4
<input checked="" type="checkbox"/> Further documents are listed in the continuation of box C. <input checked="" type="checkbox"/> Patent family members are listed in annex.		
* Special categories of cited documents :		
A document defining the general state of the art which is not considered to be of particular relevance *E* earlier document but published on or after the international filing date *L* document which may throw doubts on priority claim(s) or which is cited to establish the publication date of another citation or other special reason (as specified) *O* document referring to an oral disclosure, use, exhibition or other means *P* document published prior to the international filing date but later than the priority date claimed *T* later document published after the international filing date or priority date and not in conflict with the application but cited to understand the principle or theory underlying the invention *X* document of particular relevance; the claimed invention cannot be considered novel or cannot be considered to involve an inventive step when the document is taken alone *Y* document of particular relevance; the claimed invention cannot be considered to involve an inventive step when the document is combined with one or more other such documents, such combination being obvious to a person skilled in the art. *&* document member of the same patent family		
Date of the actual completion of the international search 4 March 2003		Date of mailing of the international search report 11/03/2003
Name and mailing address of the ISA European Patent Office, P.B. 5818 Patentlaan 2 NL - 2280 HV Rijswijk Tel. (+31-70) 340-2040, Tx. 31 651 epo nl, Fax: (+31-70) 340-3016		Authorized officer Mathyssek, K

INTERNATIONAL SEARCH REPORT

International Application No
PCT/US 01/02879

C.(Continuation) DOCUMENTS CONSIDERED TO BE RELEVANT		
Category °	Citation of document, with indication, where appropriate, of the relevant passages	Relevant to claim No.
A	<p>PATENT ABSTRACTS OF JAPAN vol. 1998, no. 12, 31 October 1998 (1998-10-31) -& JP 10 197765 A (HITACHI CABLE LTD;NIPPON TELEGR &AMP; TELEPH CORP &LT;NTT&GT;), 31 July 1998 (1998-07-31) the whole document -----</p>	1

INTERNATIONAL SEARCH REPORT

Information on patent family members

International Application No
PCT/US 01/02879

Patent document cited in search report	A	Publication date	Patent family member(s)	Publication date
US 5319730	A	07-06-1994	FI 903658 A	20-01-1992
			AU 649701 B2	02-06-1994
			AU 8206791 A	18-02-1992
			CA 2087099 A1	20-01-1992
			EP 0539422 A1	05-05-1993
			WO 9201962 A1	06-02-1992
			JP 5508482 T	25-11-1993
US 5982966	A	09-11-1999	FR 2757642 A1	26-06-1998
			EP 0849617 A1	24-06-1998
JP 11072669	A	16-03-1999	NONE	
JP 10197765	A	31-07-1998	NONE	