

(19) World Intellectual Property Organization
International Bureau



(43) International Publication Date
3 April 2008 (03.04.2008)

PCT

(10) International Publication Number
WO 2008/039789 A3

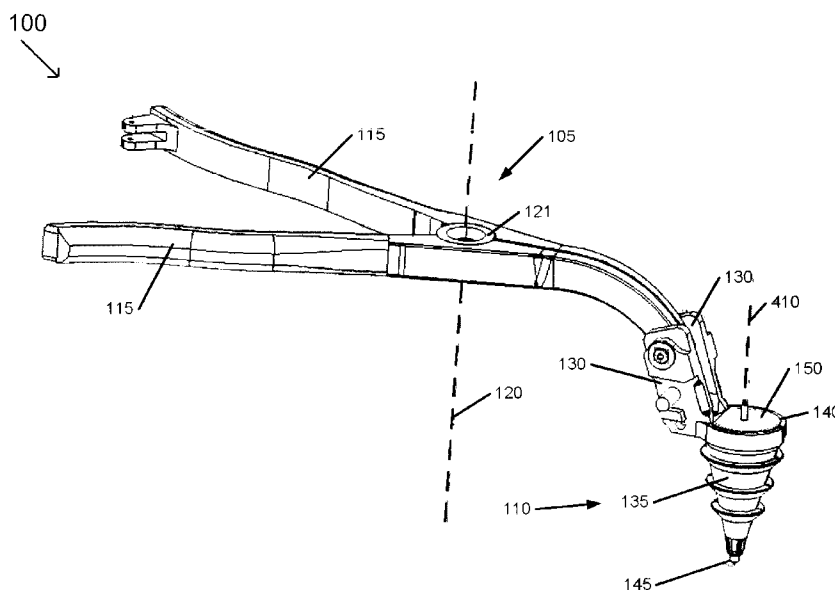
- (51) International Patent Classification:
A61B 1/32 (2006.01)
- (21) International Application Number:
PCT/US2007/079439
- (22) International Filing Date:
25 September 2007 (25.09.2007)
- (25) Filing Language: English
- (26) Publication Language: English
- (30) Priority Data:
60/847,481 26 September 2006 (26.09.2006) US
- (71) Applicant (for all designated States except US): **TRINITY ORTHOPEDICS, LLC** [US/US]; 8817 Production Avenue, San Diego, California 92121 (US).

- (81) Designated States (unless otherwise indicated, for every kind of national protection available): AE, AG, AL, AM, AT, AU, AZ, BA, BB, BG, BH, BR, BW, BY, BZ, CA, CH, CN, CO, CR, CU, CZ, DE, DK, DM, DO, DZ, EC, EE, EG, ES, FI, GB, GD, GE, GH, GM, GT, HN, HR, HU, ID, IL, IN, IS, JP, KE, KG, KM, KN, KP, KR, KZ, LA, LC, LK, LR, LS, LT, LU, LY, MA, MD, ME, MG, MK, MN, MW, MX, MY, MZ, NA, NG, NI, NO, NZ, OM, PG, PH, PL, PT, RO, RS, RU, SC, SD, SE, SG, SK, SL, SM, SV, SY, TJ, TM, TN, TR, TT, TZ, UA, UG, US, UZ, VC, VN, ZA, ZM, ZW.
- (84) Designated States (unless otherwise indicated, for every kind of regional protection available): ARIPO (BW, GH, GM, KE, LS, MW, MZ, NA, SD, SL, SZ, TZ, UG, ZM, ZW), Eurasian (AM, AZ, BY, KG, KZ, MD, RU, TJ, TM), European (AT, BE, BG, CH, CY, CZ, DE, DK, EE, ES, FI, FR, GB, GR, HU, IE, IS, IT, LT, LU, LV, MC, MT, NL, PL, PT, RO, SE, SI, SK, TR), OAPI (BF, BJ, CF, CG, CI, CM, GA, GN, GQ, GW, ML, MR, NE, SN, TD, TG).

- (72) Inventor; and
- (75) Inventor/Applicant (for US only): **MARINO, James, F.** [US/US]; 2620 St. Tropez Place, La Jolla, California 92037 (US).
- (74) Agent: **HERNANDEZ, Fred C.**; FISH & RICHARDSON P.C., P.O. Box 1022, Minneapolis, Minnesota 5540-1022 (US).

- Published:**
 - with international search report
 - before the expiration of the time limit for amending the claims and to be republished in the event of receipt of amendments
- (88) Date of publication of the international search report:
8 May 2008

(54) Title: SPECULUM



(57) Abstract: Disclosed are devices and methods for accessing and channeling through biological tissue One embodiment is a bone access tool including a handle assembly and speculum assembly coupled to the handle assembly The handle assembly has first and second portions that are movable relative to one another The speculum assembly has first and second speculum members movably positioned relative to one another The speculum members define an internal shaft arranged about a central axis and a tapered shape when positioned adjacent one another The tapered shape gradually reduces in size from a proximal πm to a distal edge of the speculum assembly The speculum assembly also has at least one nb extending outwardly from each of the first and second speculum members, the πb having an upper surface and an inclined lower surface.



WO 2008/039789 A3

INTERNATIONAL SEARCH REPORT

International application No.

PCT/US07/79439

A. CLASSIFICATION OF SUBJECT MATTER

IPC(8) - A61B 1/32 (2007.10)

USPC - 600/219

According to International Patent Classification (IPC) or to both national classification and IPC

B. FIELDS SEARCHED

Minimum documentation searched (classification system followed by classification symbols)

IPC(8) - A61B 1/32 (2007.10)

USPC - 600/219

Documentation searched other than minimum documentation to the extent that such documents are included in the fields searched

Electronic data base consulted during the international search (name of data base and, where practicable, search terms used)

PatBase

C. DOCUMENTS CONSIDERED TO BE RELEVANT

Category*	Citation of document, with indication, where appropriate, of the relevant passages	Relevant to claim No.
X	US 6,450,952 B1 (RIOUX et al) 17 September 2002 (17.09.2002) entire document	1-3, 5, 6, 13-16
Y		4, 7-12, 17-21
Y	US 5,797,959 A (CASTRO et al) 25 August 1998 (25.08.1998) entire document	4
Y	US 5,916,150 A (SILLMAN) 29 June 1999 (29.06.1999) entire document	7, 9-12, 17-21
Y	US 6,592,587 B1 (ROGER) 15 July 2003 (15.07.2003) entire document	8-12
Y	US 5,891,147 A (MOSKOVITZ et al) 06 April 1999 (06.04.1999) entire document	21

 Further documents are listed in the continuation of Box C.


* Special categories of cited documents:

"A" document defining the general state of the art which is not considered to be of particular relevance

"E" earlier application or patent but published on or after the international filing date

"L" document which may throw doubts on priority claim(s) or which is cited to establish the publication date of another citation or other special reason (as specified)

"O" document referring to an oral disclosure, use, exhibition or other means

"P" document published prior to the international filing date but later than the priority date claimed

"T" later document published after the international filing date or priority date and not in conflict with the application but cited to understand the principle or theory underlying the invention

"X" document of particular relevance; the claimed invention cannot be considered novel or cannot be considered to involve an inventive step when the document is taken alone

"Y" document of particular relevance; the claimed invention cannot be considered to involve an inventive step when the document is combined with one or more other such documents, such combination being obvious to a person skilled in the art

"&" document member of the same patent family

Date of the actual completion of the international search

21 December 2007

Date of mailing of the international search report

28 JAN 2008

Name and mailing address of the ISA/US

Mail Stop PCT, Attn: ISA/US, Commissioner for Patents

P.O. Box 1450, Alexandria, Virginia 22313-1450

Facsimile No. 571-273-3201

Authorized officer:

Blaine R. Copenheaver

PCT Helpdesk: 571-272-4300
PCT OSP: 571-272-7774