



US00D330191S

United States Patent [19]

[11] Patent Number: Des. 330,191

Endo et al.

[45] Date of Patent: ** Oct. 13, 1992

[54] ELECTRICAL CONNECTOR HOUSING

[75] Inventors: Takayoshi Endo; Sakai Yagi; Satoshi Yamada; Shinji Kodama, all of Shizuoka, Japan

[73] Assignee: Yazaki Corporation, Tokyo, Japan

[**] Term: 14 Years

[21] Appl. No.: 541,242

[22] Filed: Jun. 20, 1990

[30] Foreign Application Priority Data

Jan. 5, 1990 [JP] Japan 2-000006

[52] U.S. Cl. D13/133

[58] Field of Search D13/133, 146, 147; 439/282, 345, 350, 353, 354, 355, 357, 586, 587, 595, 596, 597, 598, 600, 680, 682, 752

[56] References Cited

U.S. PATENT DOCUMENTS

D. 275,848 10/1984 Ricossa D13/133

D. 323,810 2/1992 Sueyoshi et al. D13/133

4,630,880 12/1986 Durand 439/595

4,797,116 1/1989 Isohata et al. 439/595 X

Primary Examiner—Wallace R. Burke

Assistant Examiner—Joel Sincavage

Attorney, Agent, or Firm—Nikaido, Marmelstein Murray & Oram

[57] CLAIM

The ornamental design for an electrical connector housing, as shown and described.

DESCRIPTION

FIG. 1 is a top plan view of an electrical connector housing showing my new design;

FIG. 2 is a front elevational view thereof;

FIG. 3 is a bottom view thereof;

FIG. 4 is a right side elevational view thereof, the left side elevational view thereof being a mirror image;

FIG. 5 is a rear elevational view thereof;

FIG. 6 is a cross-sectional view thereof taken along line 6—6 of FIG. 2;

FIG. 7 is a cross-sectional view thereof taken along line 7—7 of FIG. 4;

FIG. 8 is a cross-sectional view thereof taken along line 8—8 of FIG. 4;

FIG. 9 is a cross-sectional view thereof taken along line 6—6 of FIG. 2, looking in the opposite direction and shown in a manner of use; and,

FIG. 10 is a rear and upper left perspective view thereof shown in a manner of use.

The broken line showing in FIGS. 9 and 10 is included for the purpose of illustrating environmental elements only and forms no part of the claimed design;

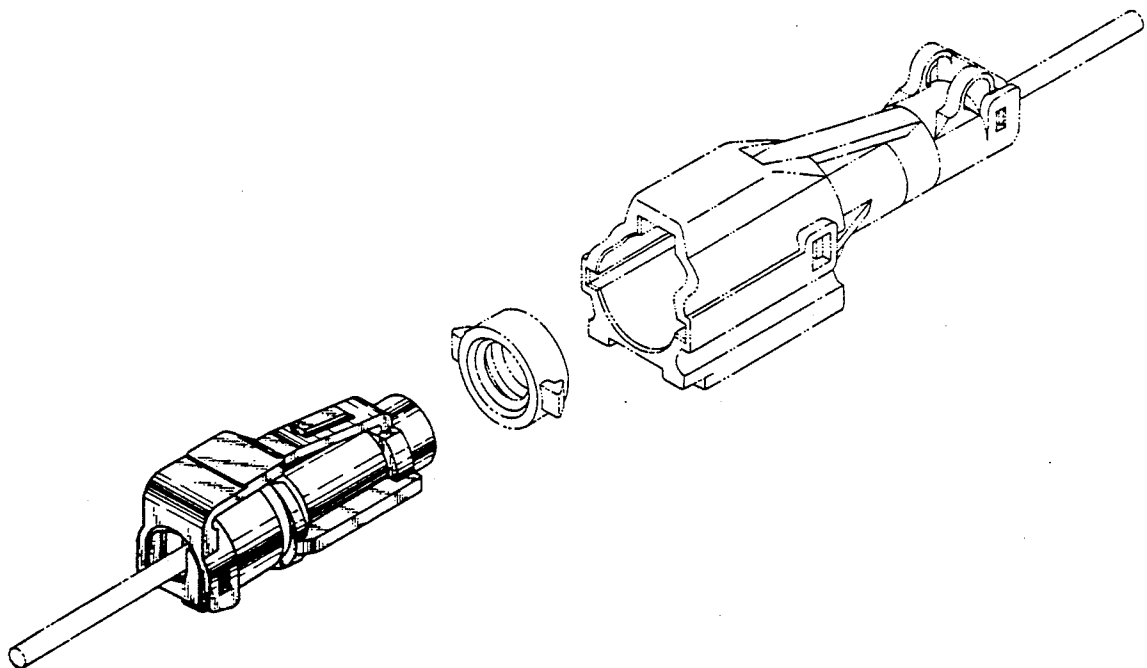


FIG. 1

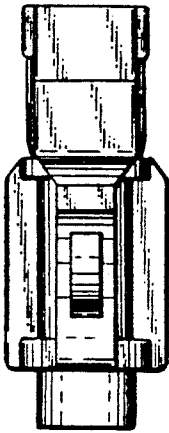


FIG. 2

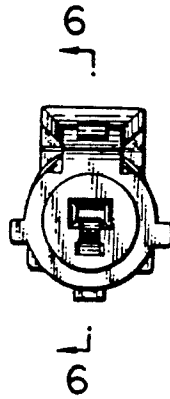


FIG. 3

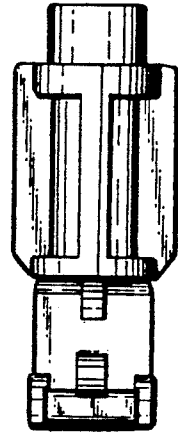


FIG. 4

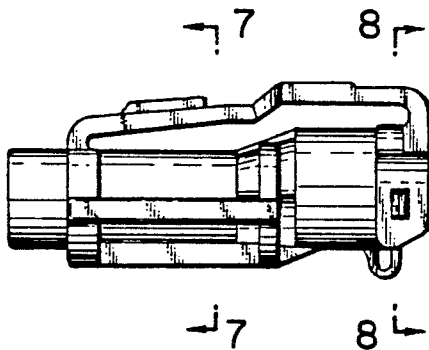


FIG. 5

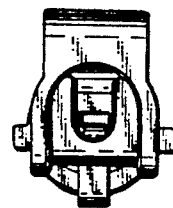


FIG. 6

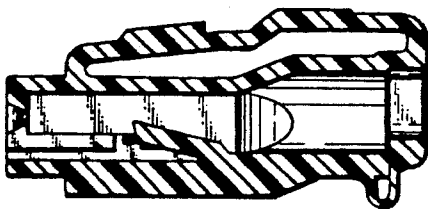


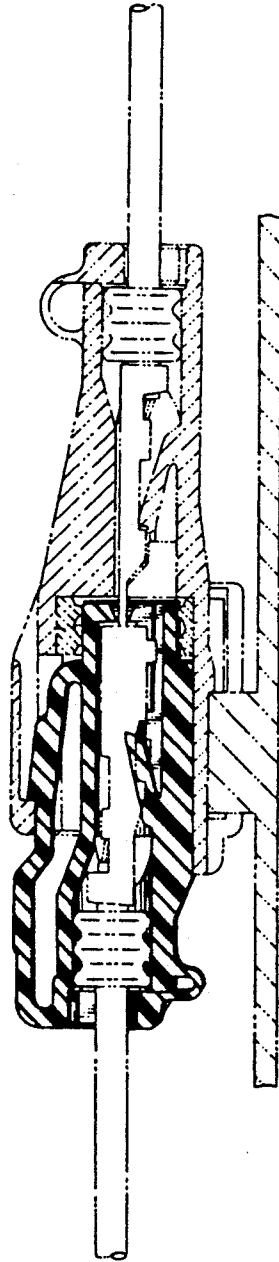
FIG. 7



FIG. 8



FIG. 9



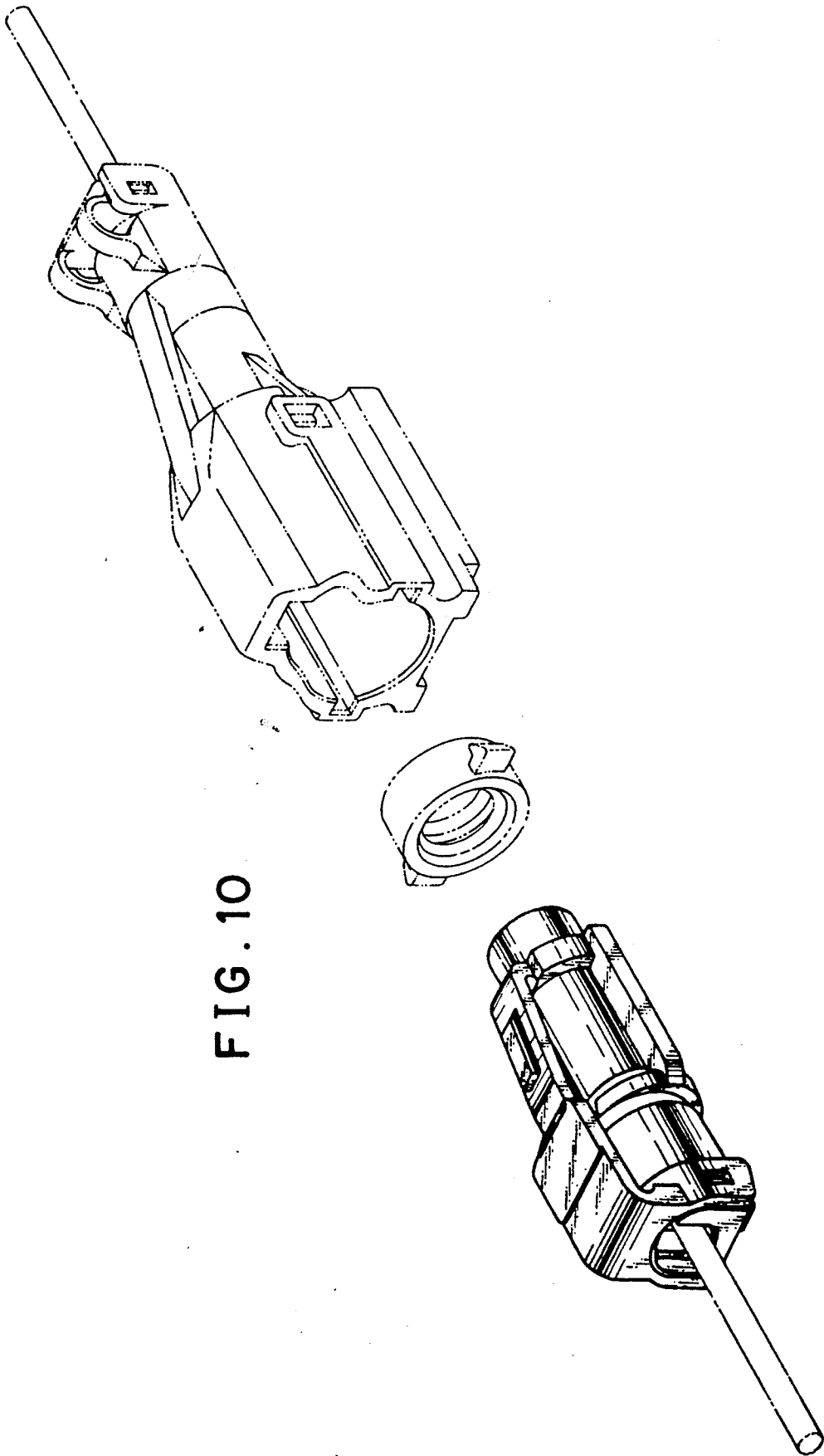


FIG. 10