

(19) World Intellectual Property
Organization
International Bureau



(43) International Publication Date
10 February 2005 (10.02.2005)

PCT

(10) International Publication Number
WO 2005/013651 A3

(51) International Patent Classification⁷: H01H 13/00, 3/00

Alderton Street, Rego Park, NY 11374 (US). TUFANO, Anthony; 9 Carol Court, North Massapequa, NY 11758 (US). ODDSEN, Dennis, A.; 54 Peterborough Drive, Eatons Neck, NY 11768 (US).

(21) International Application Number: PCT/US2004/023817

(74) Agents: SUTTON, Paul et al.; Greenberg Traurig, LLP, 885 Third Avenue, New York, NY 10022 US (US).

(22) International Filing Date: 23 July 2004 (23.07.2004)

(25) Filing Language: English

(81) Designated States (unless otherwise indicated, for every kind of national protection available): AE, AG, AL, AM, AT, AU, AZ, BA, BB, BG, BR, BW, BY, BZ, CA, CH, CN, CO, CR, CU, CZ, DE, DK, DM, DZ, EC, EE, EG, ES, FI, GB, GD, GE, GH, GM, HR, HU, ID, IL, IN, IS, JP, KE, KG, KP, KR, KZ, LC, LK, LR, LS, LT, LU, LV, MA, MD, MG, MK, MN, MW, MX, MZ, NA, NI, NO, NZ, OM, PG, PH, PL, PT, RO, RU, SC, SD, SE, SG, SK, SL, SY, TJ, TM, TN, TR, TT, TZ, UA, UG, US, UZ, VC, VN, YU, ZA, ZM, ZW.

(26) Publication Language: English

(30) Priority Data:
10/627,224 25 July 2003 (25.07.2003) US
10/859,303 1 June 2004 (01.06.2004) US

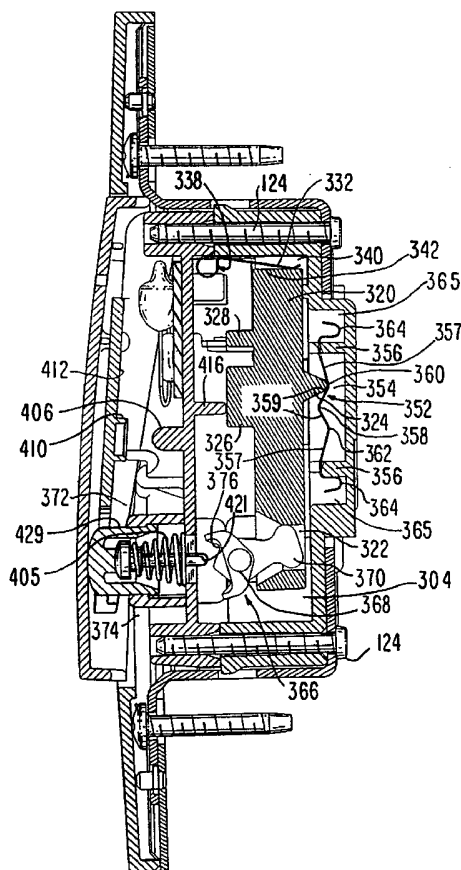
(71) Applicant (for all designated States except US): LEVITON MANUFACTURING CO., INC. [US/US]; 59-25 Little Neck Parkway, Little Neck, NY 11362 (US).

(72) Inventors: ENDRES, Paul; 4 Clearwater Drive, Plainview, NY 11803 (US). KUREK, Stephen, R.; 66-32

(84) Designated States (unless otherwise indicated, for every kind of regional protection available): ARIPO (BW, GH,

[Continued on next page]

(54) Title: ROCKER PADDLE SWITCH WITH ARTICULATED CAM DRIVER



(57) Abstract: There is disclosed a paddle switch operated by pushing on the lower portion of a rocker paddle to turn the switch "on" or "off". The lower edge of the paddle pivots in and out about its upper edge. The switch includes articulated driver means coupled to be driven by the rocker paddle when it is depressed and to urge the rocker paddle back to its out position. When the rocker paddle is pushed in, it urges the articulated driver means to rotate a cam means in a first, clockwise direction, or a second, counter clockwise direction. Alternate rotation of the cam drives a slider member having a cam follower back and forth along a linear axis. A shaped leaf spring cooperates with the cam follower to assist in the movement of the slider and to determine its rest positions. An indicator such as an LED is used to indicate the state of conduction of the switch. When the rocker paddle is released, it is biased by the articulated drive means to pivot back to its initial position. The rocker paddle of the switch is not located within a frame and has surface along its vertical axis of positive first differential and zero second differential, comprised of a combination of splines which extend between points of varying distance from a datum plane. This surface has zero second differential when the rate of height increase of individual splines is constant.

WO 2005/013651 A3



GM, KE, LS, MW, MZ, NA, SD, SL, SZ, TZ, UG, ZM, ZW), Eurasian (AM, AZ, BY, KG, KZ, MD, RU, TJ, TM), European (AT, BE, BG, CH, CY, CZ, DE, DK, EE, ES, FI, FR, GB, GR, HU, IE, IT, LU, MC, NL, PL, PT, RO, SE, SI, SK, TR), OAPI (BF, BJ, CF, CG, CI, CM, GA, GN, GQ, GW, ML, MR, NE, SN, TD, TG).

— *before the expiration of the time limit for amending the claims and to be republished in the event of receipt of amendments*

(88) Date of publication of the international search report:
9 September 2005

Published:

— *with international search report*

For two-letter codes and other abbreviations, refer to the "Guidance Notes on Codes and Abbreviations" appearing at the beginning of each regular issue of the PCT Gazette.

INTERNATIONAL SEARCH REPORT

International application No.

PCT/US04/23817

A. CLASSIFICATION OF SUBJECT MATTER IPC(7) : H01H 13/00, 3/00 US CL : 200/339 According to International Patent Classification (IPC) or to both national classification and IPC		
B. FIELDS SEARCHED Minimum documentation searched (classification system followed by classification symbols) U.S. : 200/339, 523, 524, 541, 542, 547, 529, 553, 329, 557, 558, 563, 17R Documentation searched other than minimum documentation to the extent that such documents are included in the fields searched NONE Electronic data base consulted during the international search (name of data base and, where practicable, search terms used) NONE		
C. DOCUMENTS CONSIDERED TO BE RELEVANT		
Category *	Citation of document, with indication, where appropriate, of the relevant passages	Relevant to claim No.
A	US 6,118,234 A (MARCELLUS et al) 12 September 2000 (12.09.2000), see entire document.	1-32
A	US 5,826,710 A (KUREK et al) 27 October 1998 (27.10.1998), see entire document.	1-32
A	US 5,500,498 A (KUREK et al) 19 March 1996 (19.03.1996), see entire document.	1-32
A	US 5,382,768 A (KUREK et al) 17 January 1995 (17.01.1995), see entire document.	1-32
A	US 5,041,706 A (OSIKA et al) 20 August 1991 (20.08.1991), see entire document.	1-32
A	US 4,300,026 A (BULL) 10 November 1981 (10.11.1981), see entire document.	1-32
A	US 3,609,268 A (SANCHEZ) 28 September 1971 (28.09.1971), see entire document.	1-32
<input type="checkbox"/> Further documents are listed in the continuation of Box C. <input type="checkbox"/> See patent family annex.		
* Special categories of cited documents:	"T" later document published after the international filing date or priority date and not in conflict with the application but cited to understand the principle or theory underlying the invention	
"A" document defining the general state of the art which is not considered to be of particular relevance	"X" document of particular relevance; the claimed invention cannot be considered novel or cannot be considered to involve an inventive step when the document is taken alone	
"E" earlier application or patent published on or after the international filing date	"Y" document of particular relevance; the claimed invention cannot be considered to involve an inventive step when the document is combined with one or more other such documents, such combination being obvious to a person skilled in the art	
"L" document which may throw doubts on priority claim(s) or which is cited to establish the publication date of another citation or other special reason (as specified)	"&" document member of the same patent family	
"O" document referring to an oral disclosure, use, exhibition or other means		
"P" document published prior to the international filing date but later than the priority date claimed		
Date of the actual completion of the international search	Date of mailing of the international search report	
11 July 2005 (11.07.2005)	19 JUL 2005	
Name and mailing address of the ISA/US Mail Stop PCT, Attn: ISA/US Commissioner for Patents P.O. Box 1450 Alexandria, Virginia 22313-1450 Facsimile No. (703) 305-3230	Authorized officer JOSE G. DEES Telephone No. (571) 272-1607 	