



US00D729964S

(12) **United States Design Patent**
Huh

(10) **Patent No.:** **US D729,964 S**

(45) **Date of Patent:** **** May 19, 2015**

(54) **DESK LAMP**

(71) Applicant: **ALTO Co., Ltd.**, Seoul (KR)

(72) Inventor: **Seung Hyo Huh**, Seoul (KR)

(73) Assignee: **ALTO Co., Ltd.** (KR)

(**) Term: **14 Years**

(21) Appl. No.: **29/443,001**

(22) Filed: **Jan. 11, 2013**

(51) **LOC (10) Cl.** **26-03**

(52) **U.S. Cl.**
USPC **D26/63**

(58) **Field of Classification Search**
CPC ... F21Y 2103/003; F21V 21/26; F21V 21/30;
F21V 21/14; F21V 21/28
USPC D26/61-65, 107, 93; 362/269, 275,
362/285, 371, 410, 413, 414, 418, 419, 427
See application file for complete search history.

(56) **References Cited**

U.S. PATENT DOCUMENTS

D122,711 S * 9/1940 May D26/63
D523,164 S * 6/2006 Ng D26/65

D579,597 S * 10/2008 Ng D26/61
D620,165 S * 7/2010 Huang D26/63
D654,199 S * 2/2012 Xie D26/63
D681,865 S * 5/2013 Lee D26/93

* cited by examiner

Primary Examiner — Brian N Vinson

(74) *Attorney, Agent, or Firm* — Wilmer Cutler Pickering
Hale and Dorr LLP

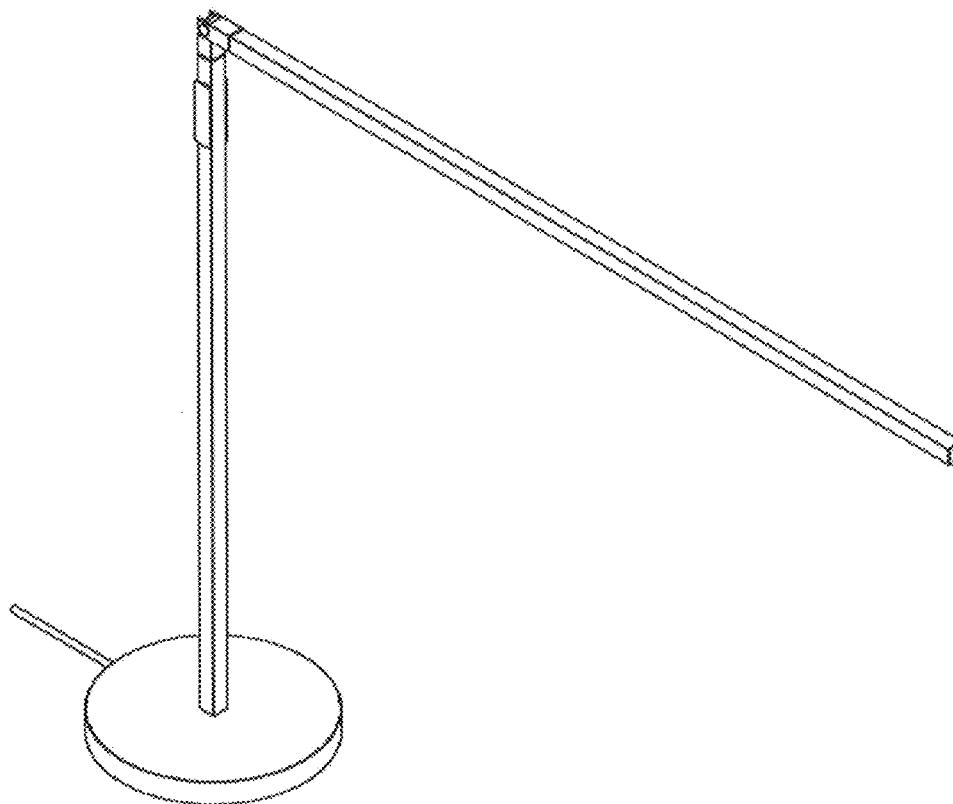
(57) **CLAIM**

I claim the ornamental design for a desk lamp, as shown and described.

DESCRIPTION

FIG. 1 is a perspective view of a desk lamp in accordance with the new design;
FIG. 2 is a front view thereof;
FIG. 3 is a backside view thereof;
FIG. 4 is a left side view thereof;
FIG. 5 is a right side view thereof;
FIG. 6 is a top view thereof;
FIG. 7 is a bottom view thereof; and,
FIG. 8 is a view with the lamp arm extended in a vertical direction.

1 Claim, 8 Drawing Sheets



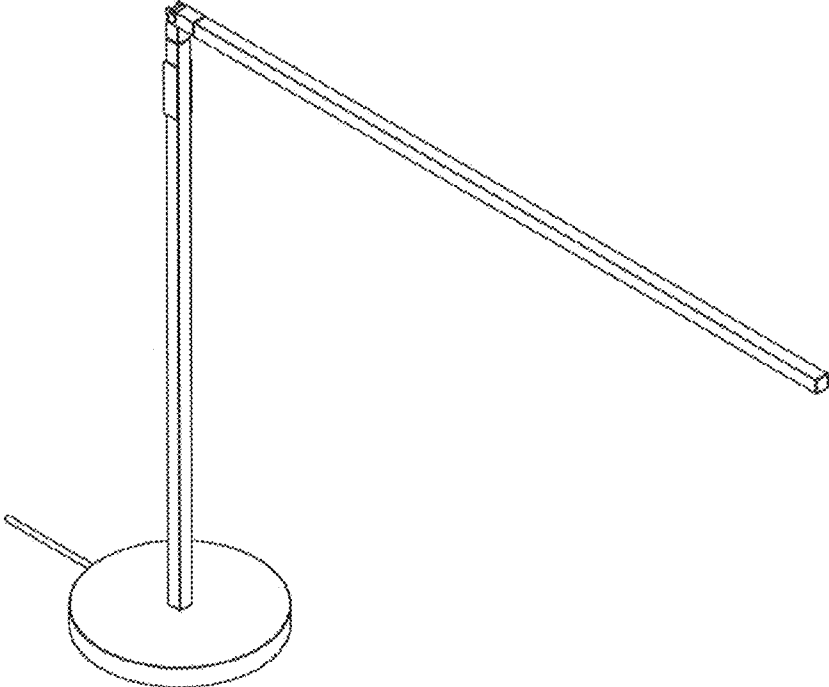


FIG. 1

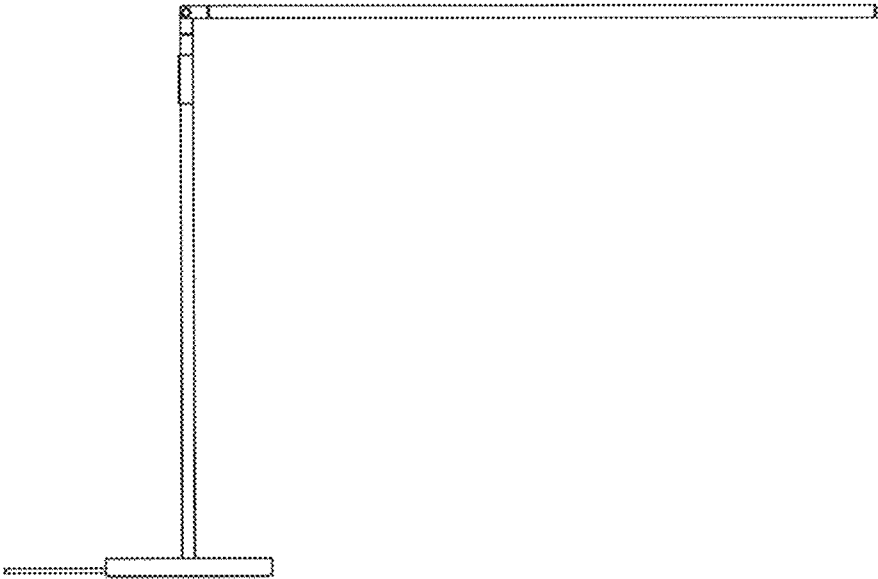


FIG. 2

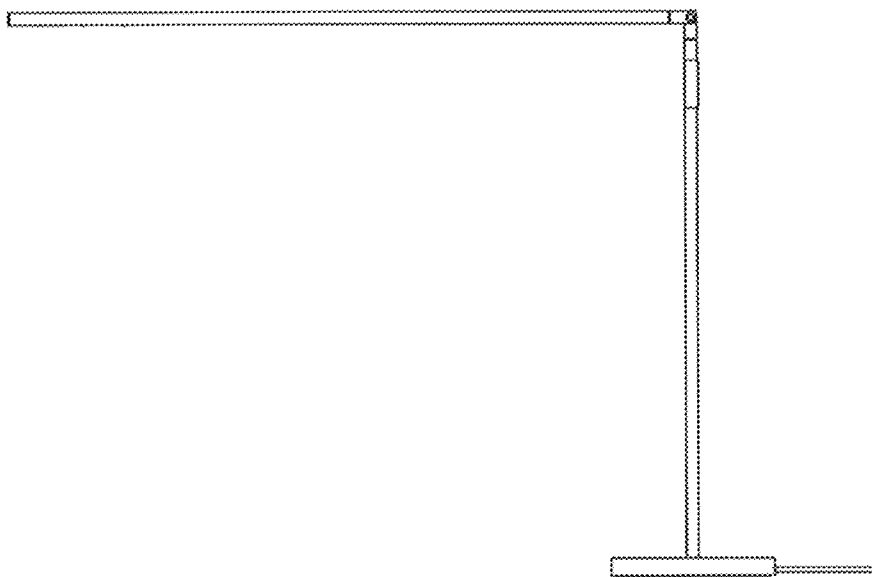


FIG. 3

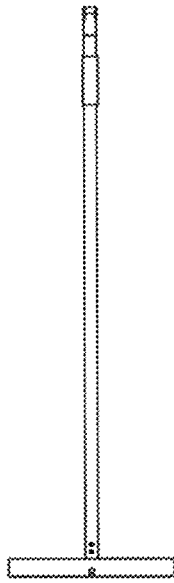


FIG. 4

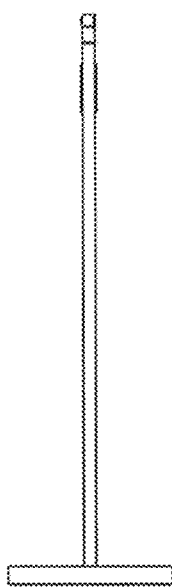


FIG. 5

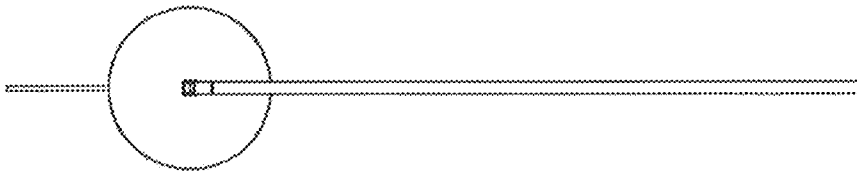


FIG. 6

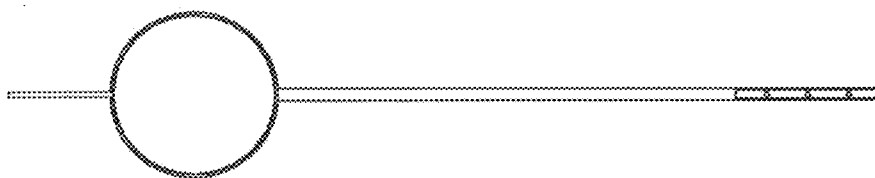


FIG. 7

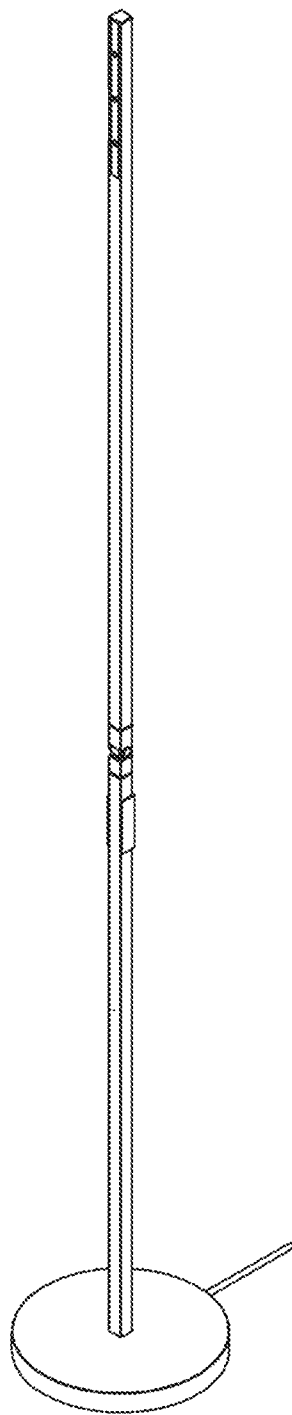


FIG. 8