



US00D413591S

United States Patent [19] Menze

[11] Patent Number: **Des. 413,591**
[45] Date of Patent: **** Sep. 7, 1999**

[54] **JOY STICK CONTROLLER**
[75] Inventor: **Peter C. Menze**, Marquette, Mich.
[73] Assignee: **M.P. Menze Research & Development Inc.**, Marquette, Mich.
[**] Term: **14 Years**

D. 378,303 3/1997 Yang D14/117.6
4,588,187 5/1986 Dell 273/148 B X
4,658,666 4/1987 Liu 463/38
4,748,441 5/1988 Breezinski 463/38 X

OTHER PUBLICATIONS

Playthings, p. 50, Sep. 1988.
Hongkong Electronics, p. 9, Oct. 1985.
Primary Examiner—Prabhakar Deshmukh
Attorney, Agent, or Firm—Oppenheimer Wolff & Donnelly LLP

[21] Appl. No.: **29/101,180**
[22] Filed: **Feb. 26, 1999**

[51] **LOC (6) Cl.** **21-01**
[52] **U.S. Cl.** **D14/117.6**
[58] **Field of Search** D14/117.1, 117.5-117.9,
D14/114; D21/333, 324; 273/148 B; 463/1,
29, 37, 38, 46, 47; 345/156, 161

CLAIM

[57] The ornamental design for a joy stick controller, as shown.

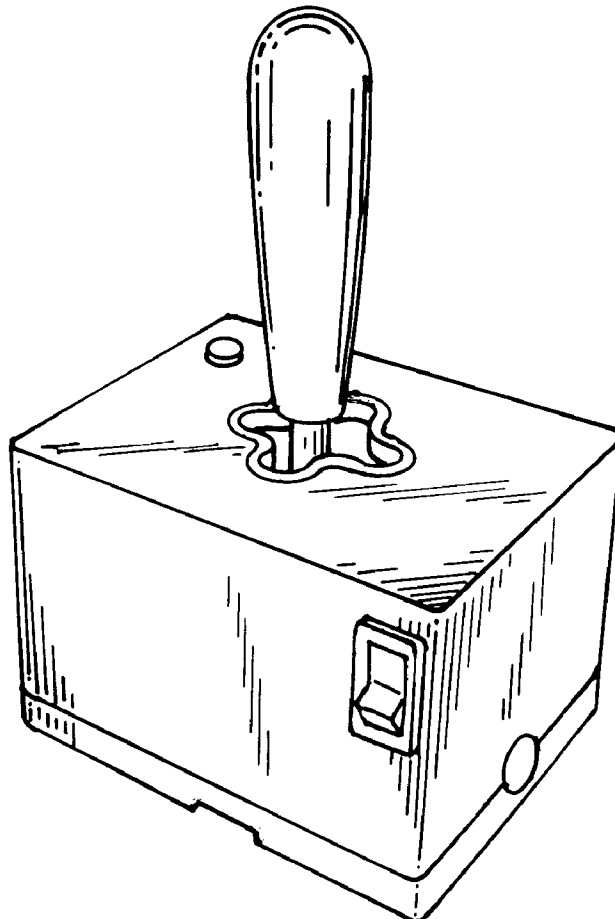
DESCRIPTION

FIG. 1 is a perspective view of a joy stick controller showing my new design;
FIG. 2 is a top plan view thereof;
FIG. 3 is a left side elevational view thereof;
FIG. 4 is a rear elevational view thereof;
FIG. 5 is a front elevational view thereof;
FIG. 6 is a right side elevational view thereof; and,
FIG. 7 is a bottom plan view thereof.

[56] References Cited U.S. PATENT DOCUMENTS

D. 254,544 3/1980 McKinsey et al. D14/117.6
D. 269,609 7/1983 Kim D14/117.6
D. 278,919 5/1985 Kim D14/117.7
D. 303,405 9/1989 Kim D14/117.7
D. 330,019 10/1992 Devolpi D14/117.7
D. 365,605 12/1995 Jensen et al. D14/117.7

1 Claim, 2 Drawing Sheets



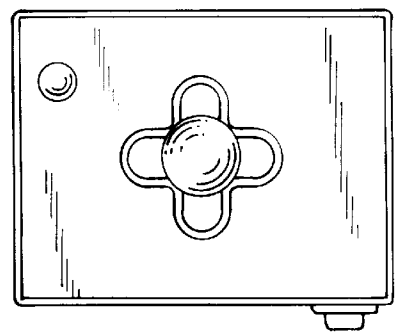
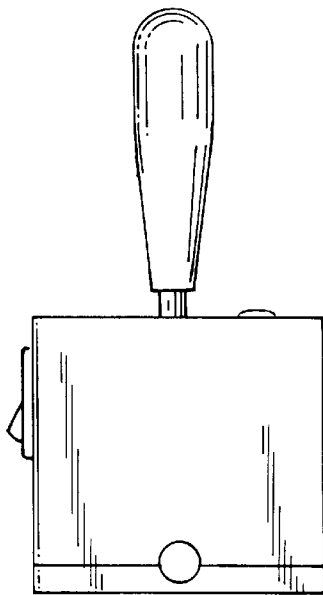
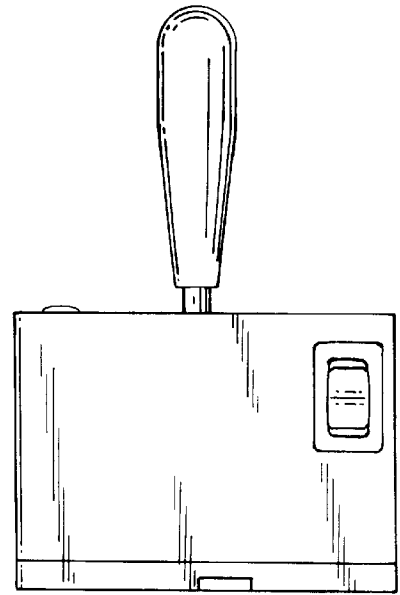
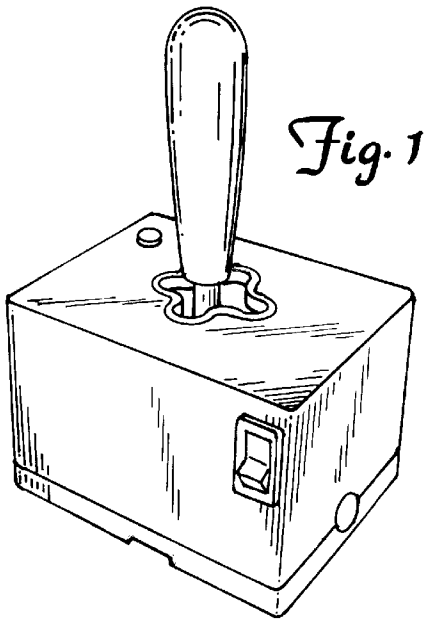


Fig. 6

Fig. 2

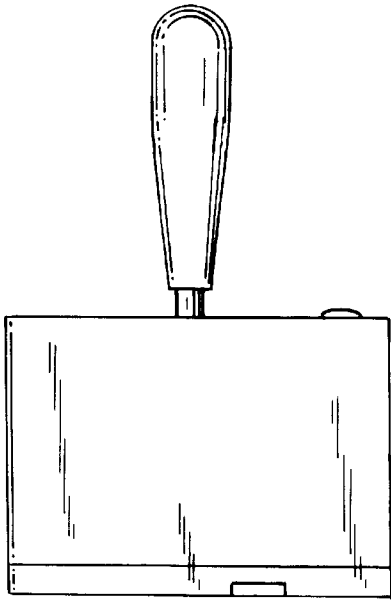


Fig. 4

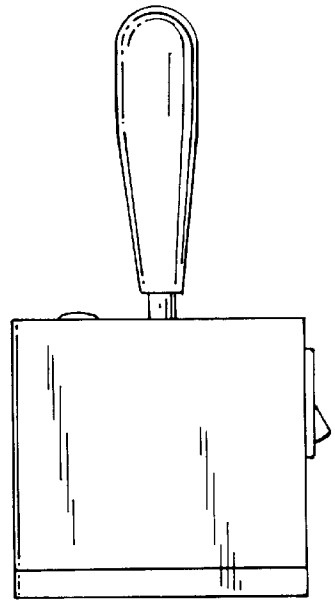


Fig. 3

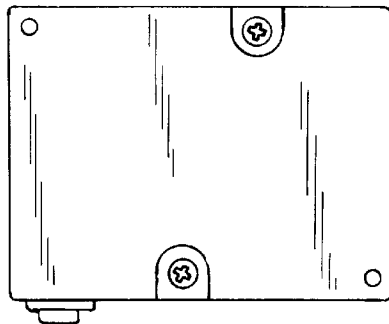


Fig. 7