



US00D950768S

(12) **United States Design Patent**  
**Conway et al.**

(10) **Patent No.:** **US D950,768 S**

(45) **Date of Patent:** **\*\* May 3, 2022**

(54) **COLLECTION AND TRANSPORT DEVICE**

6,248,294 B1 6/2001 Nason  
D445,908 S \* 7/2001 Conway ..... D24/216  
D446,865 S \* 8/2001 Conway ..... D24/216

(Continued)

(71) Applicant: **Bioplast Manufacturing, LLC**, Bristol, PA (US)

(72) Inventors: **Christopher Conway**, Moorestown, NJ (US); **Brian Conway**, Stratford, NJ (US)

FOREIGN PATENT DOCUMENTS

WO 9723596 A1 7/1997

OTHER PUBLICATIONS

Testing Brochure; Nov. 2015; Feb. 2016.

(73) Assignee: **Bioplast Manufacturing, LLC**, Bristol, PA (US)

(\*\*) Term: **15 Years**

*Primary Examiner* — Nathan M Johnston

(74) *Attorney, Agent, or Firm* — Terence Bogie; Arnold Braun

(21) Appl. No.: **29/681,084**

(22) Filed: **Feb. 22, 2019**

(57) **CLAIM**

The ornamental design of a collection and transport device, substantially as shown and described.

(51) **LOC (13) Cl.** ..... **24-02**

(52) **U.S. Cl.**  
USPC ..... **D24/224**

**DESCRIPTION**

(58) **Field of Classification Search**  
USPC ..... D24/107, 108, 113, 114, 121, 133, 184, D24/186, 216, 222, 224, 225, 226, 227, D24/228, 229, 230, 231, 233  
CPC ..... B01F 13/0025; B01J 2219/00292; B01J 2220/64; B01L 3/14; B01L 3/021-0237; B01L 3/505-50825; B01L 3/52-523; G01F 11/02  
See application file for complete search history.

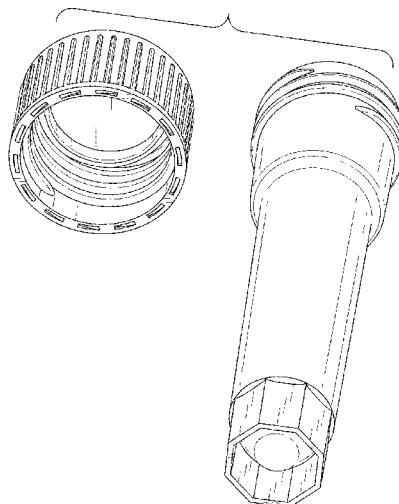
FIG. 1 is a side elevation view of a collection and transport device with the screw cap removed in accordance with the present invention shown separately for ease of illustration; FIG. 2 is a cross sectional view thereof; FIG. 3 is a side elevation view of the screwcap used in accordance with the collection and transport device of the present invention shown separately for ease of illustration; FIG. 4 is a cross sectional view thereof; FIG. 5 is a top plan view thereof; FIG. 6 is a top exploded perspective view of a collection and transport device of the present invention; FIG. 7 is a bottom exploded perspective view of thereof; FIG. 8 is a cross sectional side view of a collection and transport device in accordance with the present invention. FIG. 9 is a top perspective view of a collection and transport device with the screw cap removed of the present invention shown separately for ease of illustration; and, FIG. 10 is side elevation view of a collection and transport device of the present invention.

(56) **References Cited**

U.S. PATENT DOCUMENTS

D252,612 S \* 8/1979 Mull ..... D24/224  
4,529,702 A 7/1985 Bryan  
D287,570 S \* 1/1987 Olsen ..... D24/224  
4,903,708 A 2/1990 Saint-Amand  
5,266,266 A 11/1993 Nason  
D350,193 S \* 8/1994 Huck ..... D24/110  
D356,643 S \* 3/1995 Burns ..... D24/224  
5,702,944 A 12/1997 Racioppi et al.  
D403,957 S \* 1/1999 Bright ..... D9/428  
5,879,635 A 3/1999 Nason

**1 Claim, 7 Drawing Sheets**



(56)

References Cited

U.S. PATENT DOCUMENTS

6,277,646 B1	8/2001	Guirguis et al.		D740,438 S *	10/2015	Curry	D24/224
D447,812 S *	9/2001	Conway	D24/216	D743,571 S *	11/2015	Jackson	D24/216
6,565,808 B2	5/2003	Hudak et al.		9,242,399 B2	12/2015	Fischer et al.	
6,602,206 B1 *	8/2003	Niermann	B01L 3/50825 600/573	9,243,222 B2	1/2016	El-Etr et al.	
6,890,484 B2	5/2005	Bautista et al.		9,302,264 B2	4/2016	Lui et al.	
6,991,898 B2	1/2006	O'Connor		D764,679 S *	8/2016	Franciskovich	D24/224
7,098,040 B2	8/2006	Kaylor et al.		9,416,416 B2	8/2016	Fischer et al.	
7,309,469 B2	12/2007	Anderson et al.		D765,836 S *	9/2016	Kammer	D24/121
7,560,272 B2	7/2009	Ramsey et al.		9,561,895 B1 *	2/2017	Kammer	A61F 7/10
D640,797 S *	6/2011	Wilkinson	D24/224	D798,668 S *	10/2017	Steel	D7/531
D650,088 S *	12/2011	Motadel	D24/224	D812,736 S *	3/2018	Parker	D24/110
D659,848 S *	5/2012	TerMaat	D24/224	D817,092 S *	5/2018	Pisarevsky	D7/507
8,216,832 B2	7/2012	Battrell et al.		D843,008 S *	3/2019	Blaszczak	D24/224
D667,960 S *	9/2012	Wilkinson	D24/224	D845,722 S *	4/2019	Kasting	D7/700
8,394,626 B2	3/2013	Ramsey et al.		D850,647 S *	6/2019	Jackson	D24/224
8,669,240 B2	3/2014	Fischer et al.		D864,774 S *	10/2019	Lei	D10/81
8,865,458 B2	10/2014	Ramsey et al.		2005/0079633 A1 *	4/2005	Kacian	B01L 3/50825 436/180
				2009/0047729 A1	2/2009	Finn	
				2012/0088231 A1	4/2012	Fischer et al.	
				2014/0186821 A1	7/2014	Daum et al.	

\* cited by examiner

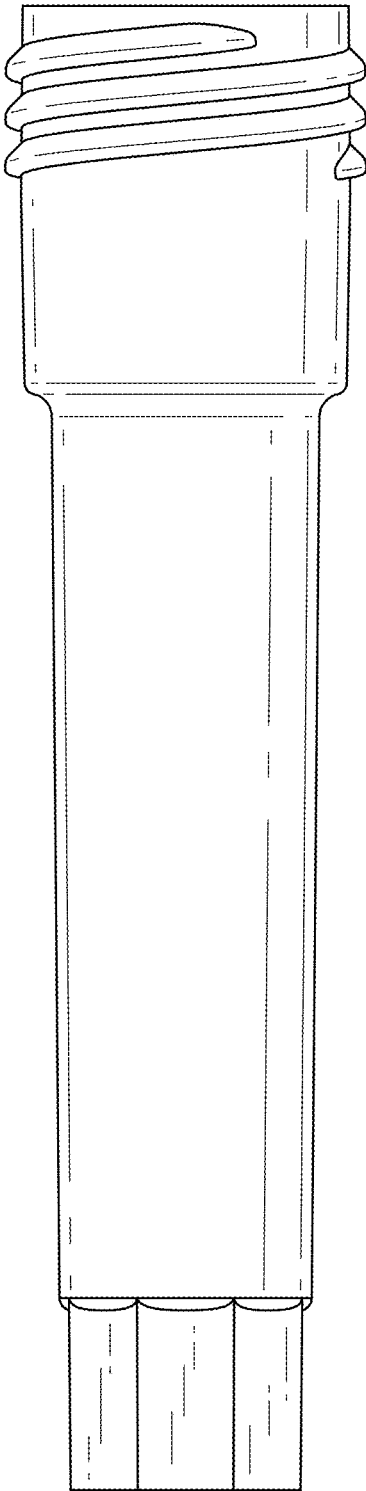


FIG. 1

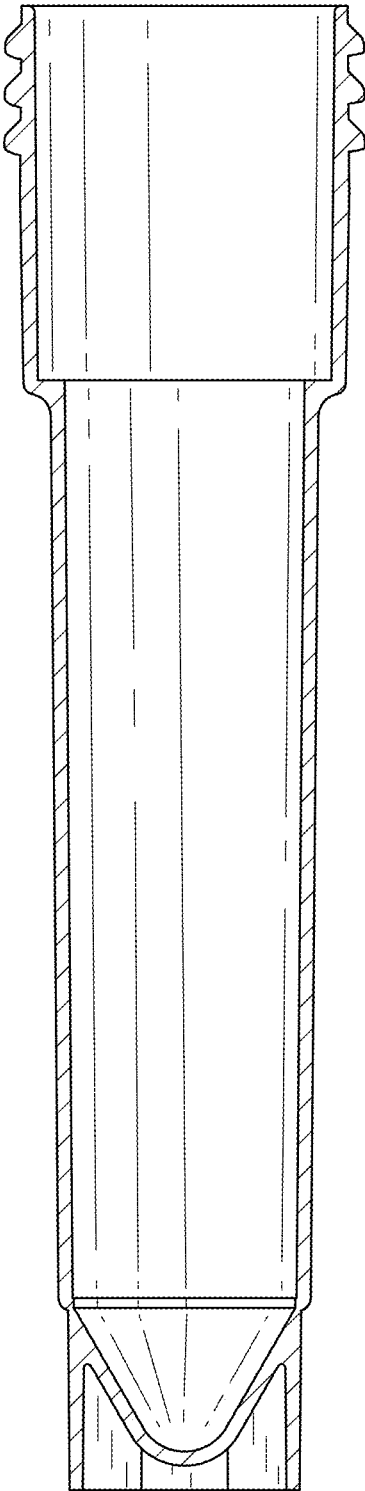


FIG. 2

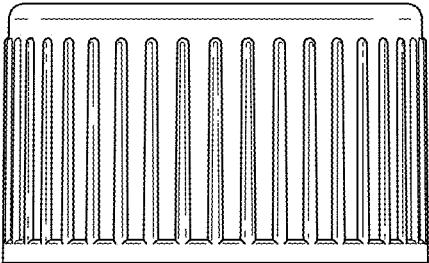


FIG. 3

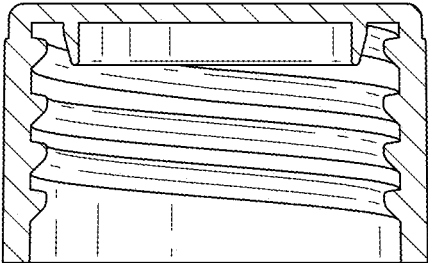


FIG. 4

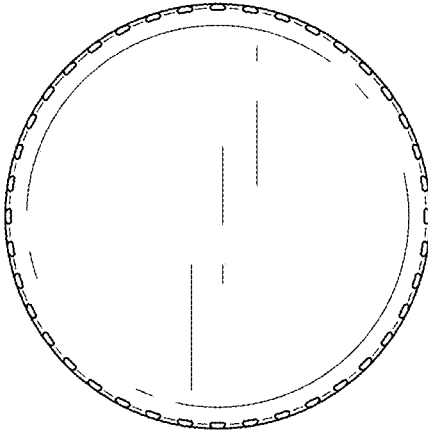


FIG. 5

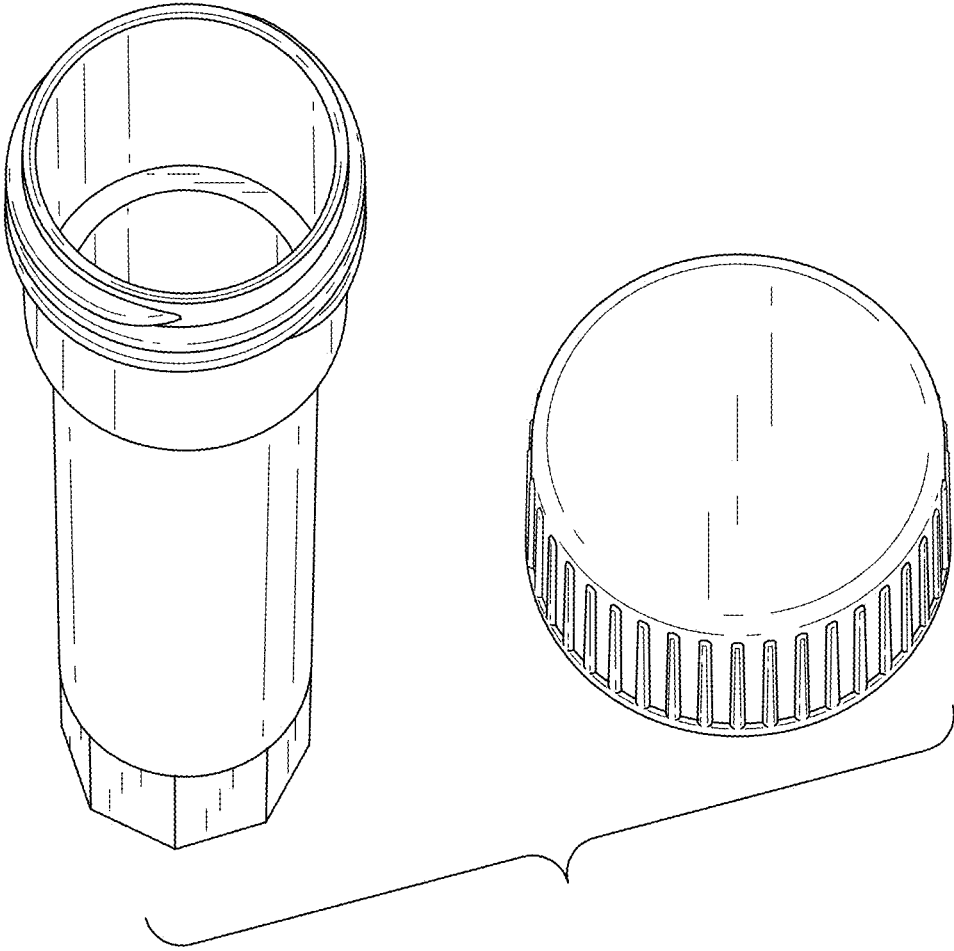


FIG. 6

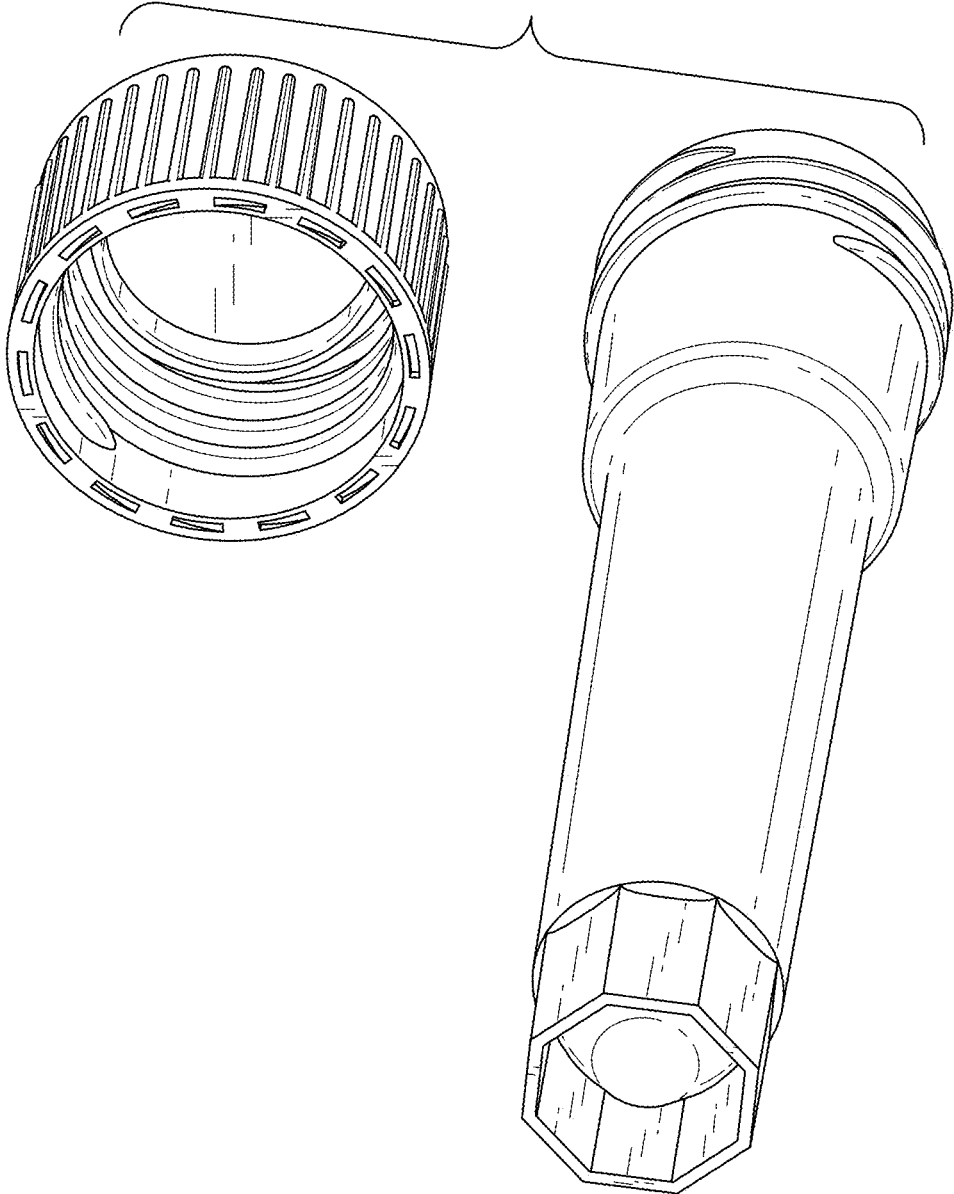


FIG. 7

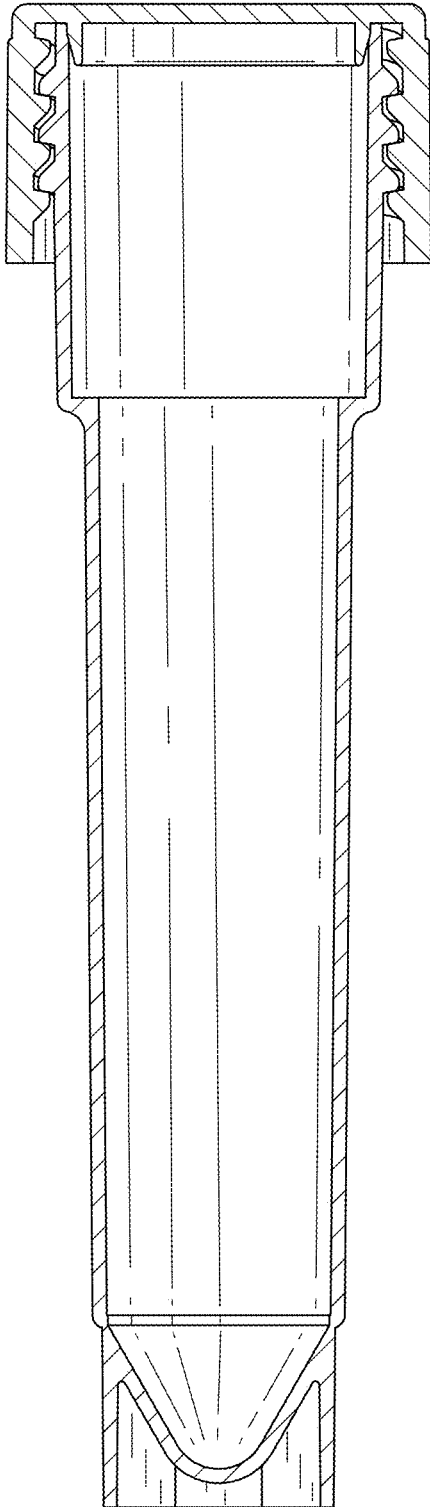


FIG. 8

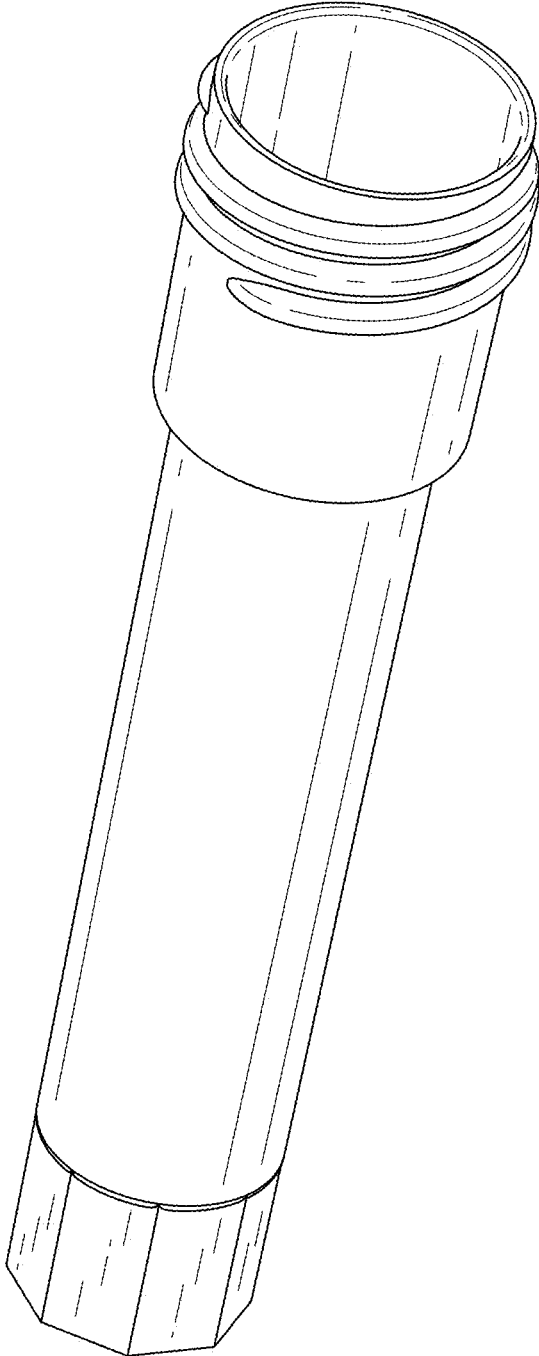


FIG. 9

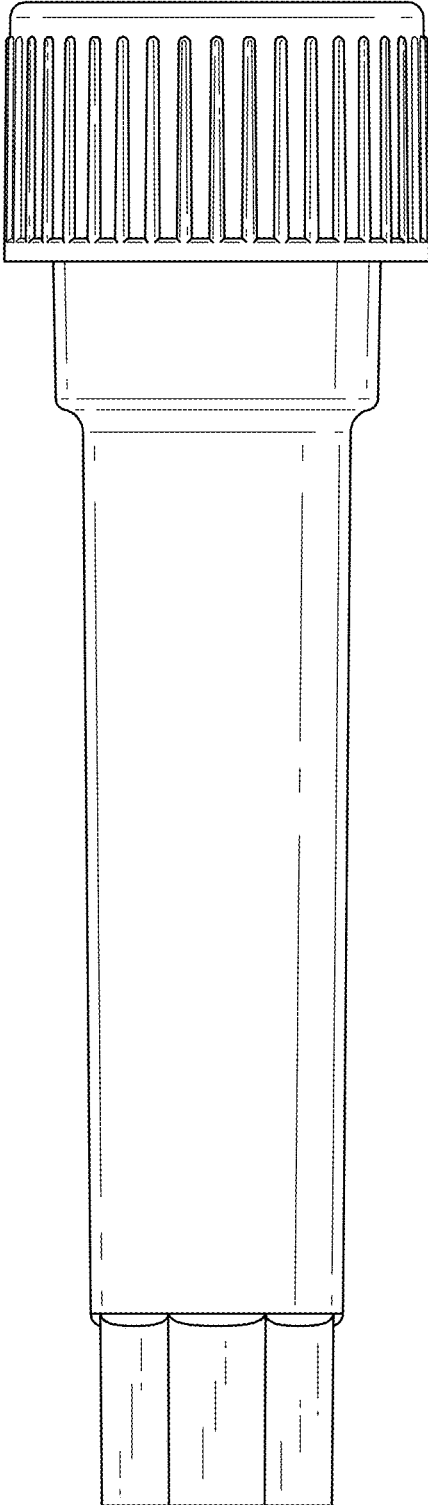


FIG. 10