



(43) International Publication Date  
31 December 2014 (31.12.2014)

- (51) International Patent Classification:  
*B65G 13/12* (2006.01)
- (21) International Application Number:  
PCT/NL2014/050424
- (22) International Filing Date:  
26 June 2014 (26.06.2014)
- (25) Filing Language: Dutch
- (26) Publication Language: English
- (30) Priority Data:  
2011070 29 June 2013 (29.06.2013) NL
- (71) Applicant: **ACK IP B.V.** [NL/NL]; Staarten 14, NL-5281  
PL Boxtel (NL).
- (72) Inventor: **TEULING, DEN, Adrianus Wilhelmus Mari-**  
us; M.F. Elkerbout 9, NL-5626 GG Eindhoven (NL).
- (74) Agent: **VERHEES, Godefridus Josephus Maria;** De  
Pinckart 54, NL-5674 CC Nuenen (NL).
- (81) Designated States (*unless otherwise indicated, for every  
kind of national protection available*): AE, AG, AL, AM,  
AO, AT, AU, AZ, BA, BB, BG, BH, BN, BR, BW, BY,  
BZ, CA, CH, CL, CN, CO, CR, CU, CZ, DE, DK, DM,  
DO, DZ, EC, EE, EG, ES, FI, GB, GD, GE, GH, GM, GT,

HN, HR, HU, ID, IL, IN, IR, IS, JP, KE, KG, KN, KP, KR,  
KZ, LA, LC, LK, LR, LS, LT, LU, LY, MA, MD, ME,  
MG, MK, MN, MW, MX, MY, MZ, NA, NG, NI, NO, NZ,  
OM, PA, PE, PG, PH, PL, PT, QA, RO, RS, RU, RW, SA,  
SC, SD, SE, SG, SK, SL, SM, ST, SV, SY, TH, TJ, TM,  
TN, TR, TT, TZ, UA, UG, US, UZ, VC, VN, ZA, ZM,  
ZW.

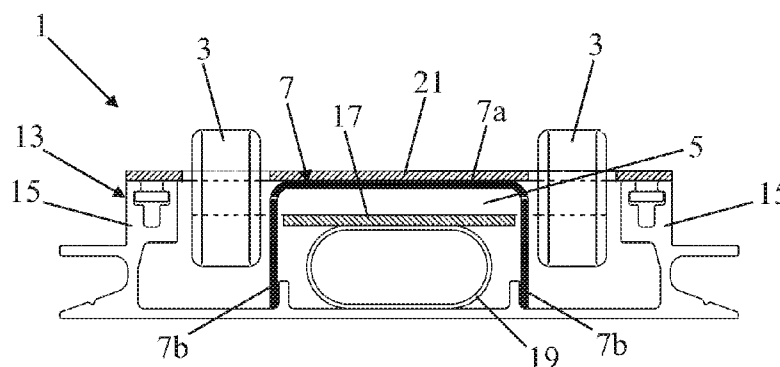
(84) Designated States (*unless otherwise indicated, for every  
kind of regional protection available*): ARIPO (BW, GH,  
GM, KE, LR, LS, MW, MZ, NA, RW, SD, SL, SZ, TZ,  
UG, ZM, ZW), Eurasian (AM, AZ, BY, KG, KZ, RU, TJ,  
TM), European (AL, AT, BE, BG, CH, CY, CZ, DE, DK,  
EE, ES, FI, FR, GB, GR, HR, HU, IE, IS, IT, LT, LU, LV,  
MC, MK, MT, NL, NO, PL, PT, RO, RS, SE, SI, SK, SM,  
TR), OAPI (BF, BJ, CF, CG, CI, CM, GA, GN, GQ, GW,  
KM, ML, MR, NE, SN, TD, TG).

**Published:**

- with international search report (Art. 21(3))
- before the expiration of the time limit for amending the  
claims and to be republished in the event of receipt of  
amendments (Rule 48.2(h))

(88) Date of publication of the international search report:  
12 March 2015

(54) Title: ROLLER CONVEYOR



**FIG. 2**

(57) Abstract: A roller conveyor I has a number of pairs of rollers present in a path, of each pair both rollers 3 are present on a common shaft 5. This shaft is fixed in the direction of transport in a U-shaped profile 7. For this purpose, the side portions 7b of the U-profile are provided with vertical slots and in the main portion 7a of the U-profile a further slot is present which connects the two side slots with one another. The shaft protrudes with both ends through the slots present in the side parts. The rollers are located on the ends of the shaft and are present adjacent to the U-profile. Under the shafts 5 a support plate 17 is present, including a lifting mechanism provided for lifting of the shafts. This lifting mechanism has an inflatable flexible hose 19 which can lift the supporting plate. Moreover, on the U-profile 7 a top plate 21 is present which is attached to the further profile 13.



# INTERNATIONAL SEARCH REPORT

International application No  
PCT/NL2014/050424

<b>A. CLASSIFICATION OF SUBJECT MATTER</b> INV. B65G13/12 ADD.		
According to International Patent Classification (IPC) or to both national classification and IPC		
<b>B. FIELDS SEARCHED</b>		
Minimum documentation searched (classification system followed by classification symbols) B65G B60P		
Documentation searched other than minimum documentation to the extent that such documents are included in the fields searched		
Electronic data base consulted during the international search (name of data base and, where practicable, search terms used) EPO-Internal, WPI Data		
<b>C. DOCUMENTS CONSIDERED TO BE RELEVANT</b>		
Category*	Citation of document, with indication, where appropriate, of the relevant passages	Relevant to claim No.
A	FR 2 573 372 A1 (MALEMANT BERTRAND [FR]) 23 May 1986 (1986-05-23) pages 1-7; figures 1-5 -----	1-4
A	JP H08 143121 A (SANWA KOKI KK) 4 June 1996 (1996-06-04) abstract; figures 1-9 -----	1-4
A	EP 2 460 687 A1 (BLACKROCK ENGINEERING LTD [GB]) 6 June 2012 (2012-06-06) columns 1-9; figures 1-8 -----	1-4
A	US 2003/017037 A1 (TURNER STEVEN [GB]) 23 January 2003 (2003-01-23) pages 1,2; figures 1-4 -----	1-4
<input type="checkbox"/> Further documents are listed in the continuation of Box C. <span style="margin-left: 200px;"><input checked="" type="checkbox"/> See patent family annex.</span>		
* Special categories of cited documents :		
"A" document defining the general state of the art which is not considered to be of particular relevance "E" earlier application or patent but published on or after the international filing date "L" document which may throw doubts on priority claim(s) or which is cited to establish the publication date of another citation or other special reason (as specified) "O" document referring to an oral disclosure, use, exhibition or other means "P" document published prior to the international filing date but later than the priority date claimed	"T" later document published after the international filing date or priority date and not in conflict with the application but cited to understand the principle or theory underlying the invention "X" document of particular relevance; the claimed invention cannot be considered novel or cannot be considered to involve an inventive step when the document is taken alone "Y" document of particular relevance; the claimed invention cannot be considered to involve an inventive step when the document is combined with one or more other such documents, such combination being obvious to a person skilled in the art "&" document member of the same patent family	
Date of the actual completion of the international search  <p style="text-align: center; font-size: 1.2em;">14 January 2015</p>	Date of mailing of the international search report  <p style="text-align: center; font-size: 1.2em;">22/01/2015</p>	
Name and mailing address of the ISA/ European Patent Office, P.B. 5818 Patentlaan 2 NL - 2280 HV Rijswijk Tel. (+31-70) 340-2040, Fax: (+31-70) 340-3016	Authorized officer  <p style="text-align: center; font-size: 1.2em;">Martin, Benoit</p>	

# INTERNATIONAL SEARCH REPORT

Information on patent family members

International application No

PCT/NL2014/050424

Patent document cited in search report	Publication date	Patent family member(s)	Publication date
FR 2573372	A1	23-05-1986	NONE
-----			
JP H08143121	A	04-06-1996	NONE
-----			
EP 2460687	A1	06-06-2012	EP 2460687 A1 06-06-2012
			GB 2486201 A 13-06-2012
			US 2012141241 A1 07-06-2012
-----			
US 2003017037	A1	23-01-2003	GB 2378692 A 19-02-2003
			US 2003017037 A1 23-01-2003
-----			