



US00D591248S

(12) **United States Design Patent**
Imai et al.

(10) **Patent No.:** **US D591,248 S**

(45) **Date of Patent:** **** Apr. 28, 2009**

(54) **LIGHT-EMITTING DIODE FOR ILLUMINATING AN OBJECT**

(75) Inventors: **Sadato Imai**, Hachioji (JP); **Kazuo Funakubo**, Hachioji (JP)

(73) Assignee: **Citizen Electronics Co., Ltd.**, Yamanashi (JP)

(**) Term: **14 Years**

(21) Appl. No.: **29/319,234**

(22) Filed: **Jun. 5, 2008**

(30) **Foreign Application Priority Data**

Dec. 5, 2007 (JP) 2007-033318

(51) **LOC (9) Cl.** **13-03**

(52) **U.S. Cl.** **D13/180**

(58) **Field of Classification Search** D13/180;
D26/2; 257/79, 80, 81, 88, 89, 95, 98, 99,
257/100, 678; 313/483, 498, 500; 362/555,
362/800

See application file for complete search history.

(56) **References Cited**

U.S. PATENT DOCUMENTS

- D524,260 S * 7/2006 Ishizaka et al. D13/180
- D528,672 S * 9/2006 Nagai et al. D26/1
- D535,262 S * 1/2007 Saito et al. D13/180
- 7,262,438 B2 * 8/2007 Mok et al. 257/98
- D572,670 S * 7/2008 Ono et al. D13/180
- D572,671 S * 7/2008 Okada et al. D13/180

- D576,970 S * 9/2008 Uemoto et al. D13/180
- D577,689 S * 9/2008 Yasuoka et al. D13/180
- 2004/0079957 A1 * 4/2004 Andrews et al. 257/100
- 2004/0201987 A1 * 10/2004 Omata 362/230

* cited by examiner

Primary Examiner—Selina Sikder

(74) *Attorney, Agent, or Firm*—Browndy and Neimark, P.L.L.C.

(57) **CLAIM**

The ornamental design for a light-emitting diode for illuminating an object, as shown and described.

DESCRIPTION

The article is a surface-mount type light-emitting diode for illumination purpose and emits light from a substantially square-shaped central portion.

The article is widely used in mobile phones as a light source for flash and in various other devices for illumination purpose, and further as a light source in generic illumination.

FIG. 1 is a perspective view of light-emitting diode for illuminating an object in accordance with the present design, as viewed from front;

FIG. 2 is a front elevation view thereof, the rear elevation view being a mirror image;

FIG. 3 is a top plan view thereof;

FIG. 4 is a bottom plan view thereof; and,

FIG. 5 is a right side view thereof, the left side view being a mirror image.

1 Claim, 2 Drawing Sheets

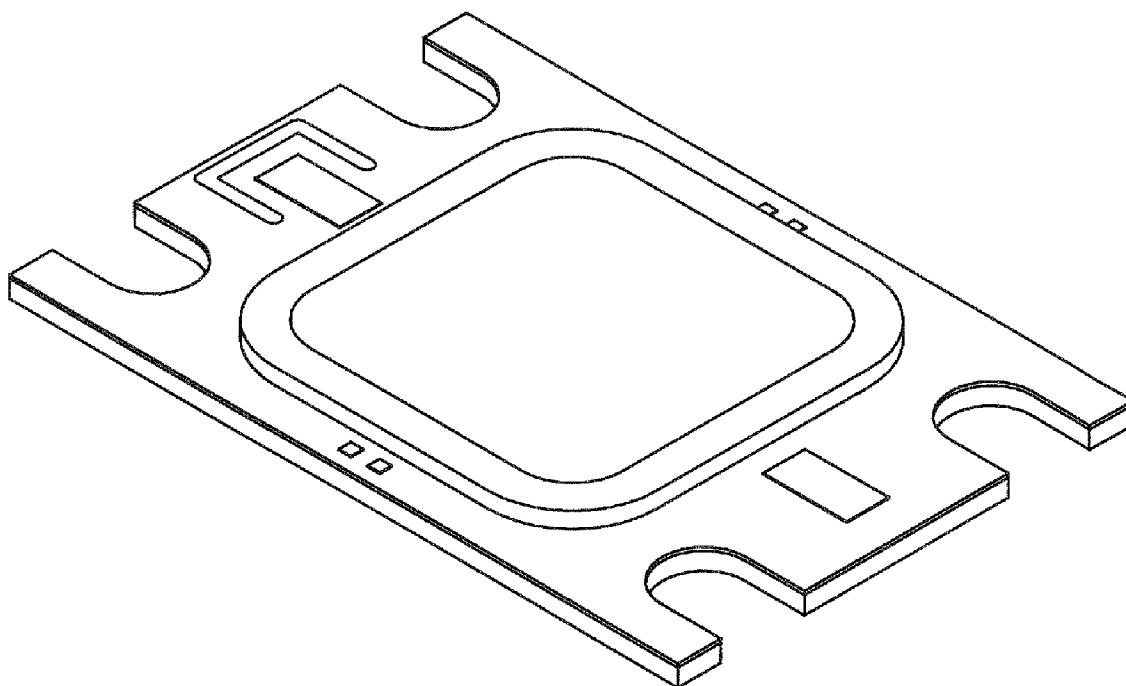


Fig. 1

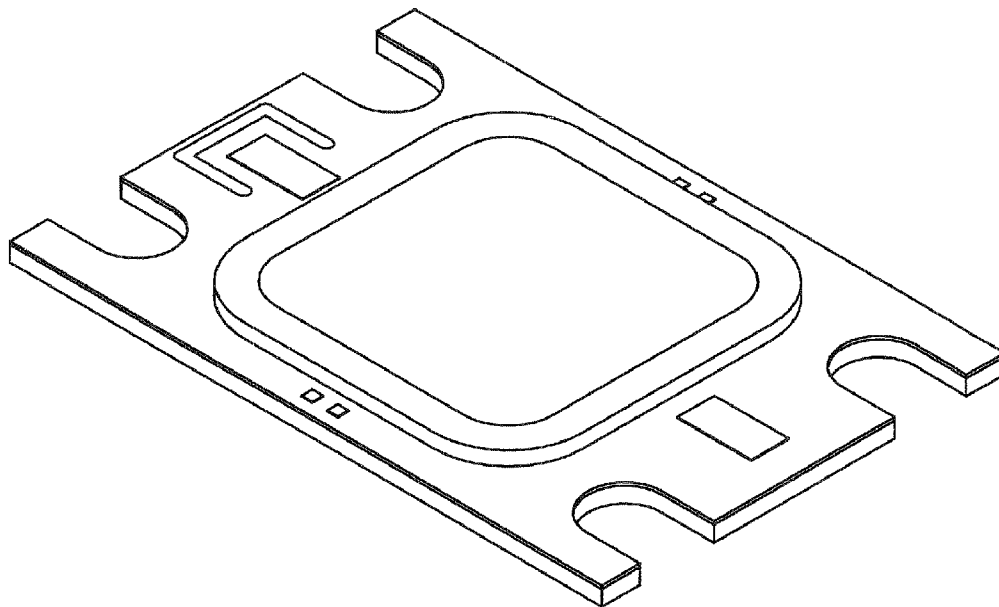


Fig. 2



Fig. 3

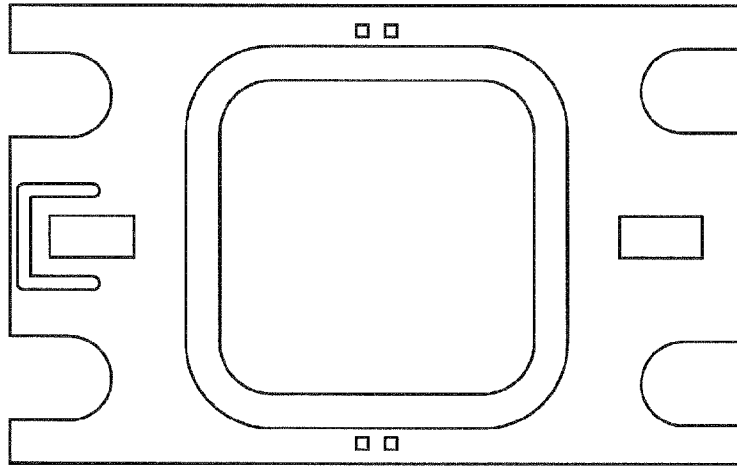


Fig. 4

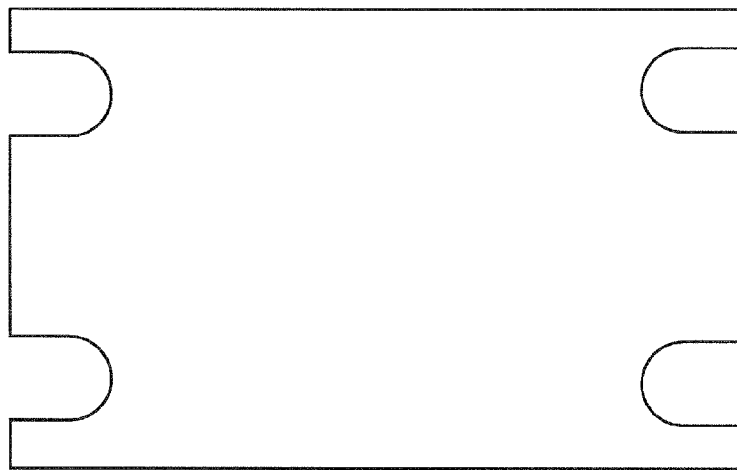


Fig. 5

