



US00D354606S

United States Patent [19]

[11] Patent Number: Des. 354,606

Pigott et al.

[45] Date of Patent: ** Jan. 17, 1995

[54] CONNECTOR FOR A PALLET ASSEMBLY

[76] Inventors: **Brandon L. Pigott**, 1017 Elmwood Ave., Wilmette, Ill. 60091; **Schuyler F. Pigott**, 1122 N. Patton St., Arlington Heights, Ill. 60004; **Peter S. Pigott**, 803 Elmwood Ave., Wilmette, Ill. 60091; **Maurice J. Pigott**, 591 Cherry St., Winnetka, Ill. 60093

3,664,271 5/1972 Wolder et al. .
 3,664,272 5/1972 Sanders .
 3,667,403 6/1972 Angelbeck .
 3,680,495 8/1972 Pike .
 3,683,821 8/1972 Mangold .
 3,691,964 9/1972 Larson et al. .
 3,691,965 9/1972 Cloyd .
 3,717,396 2/1973 Dupree .

(List continued on next page.)

[**] Term: **14 Years**

[21] Appl. No.: **15,696**

[22] Filed: **Nov. 24, 1993**

Related U.S. Application Data

[63] Continuation-in-part of Ser. No. 12,508, Sep. 2, 1993, Pat. No. Des. 347,511, which is a continuation-in-part of Ser. No. 7,372, Apr. 21, 1993, Pat. No. Des. 346,681, which is a continuation-in-part of Ser. No. 961,396, Oct. 15, 1992, which is a continuation-in-part of Ser. No. 644,928, Jan. 23, 1991, Pat. No. 5,197,395, which is a continuation-in-part of Ser. No. 230,025, Aug. 9, 1988, Pat. No. 4,843,976.

[52] U.S. Cl. **D34/38**

[58] Field of Search D34/38; 108/53.3, 53.5, 108/51.1, 56.3, 56.1

FOREIGN PATENT DOCUMENTS

23328/70 6/1972 Australia .
 42086/72 11/1973 Australia .
 0226505 6/1987 European Pat. Off. .
 2101346 3/1972 France .
 2160677 6/1973 France .
 2259023 8/1975 France .
 2274512 1/1976 France .
 2486029 1/1982 France .
 2613083 3/1976 Germany .
 3806097 9/1989 Germany .
 9002386 6/1991 Netherlands 108/53.3
 166486 7/1921 United Kingdom .
 1310898 3/1973 United Kingdom .
 2224993 5/1990 United Kingdom 108/53.3
 2252293 8/1992 United Kingdom 108/53.3
 701869 5/1979 U.S.S.R. .
 WO90/01448 2/1990 WIPO .

[56] References Cited

U.S. PATENT DOCUMENTS

Re. 32,344 2/1987 Wind .
 D. 233,373 10/1974 Rehrig .
 D. 247,523 3/1978 Carroll et al. .
 D. 257,247 10/1980 Powers D34/38
 2,691,499 10/1954 Watts .
 2,916,239 12/1959 Stopps .
 2,918,241 12/1959 Maher .
 2,991,965 7/1961 Drieborg .
 3,123,020 3/1964 Voissem .
 3,307,504 3/1967 Cloyd et al. .
 3,316,861 5/1967 Dailey .
 3,407,758 10/1968 Simkins .
 3,424,110 1/1969 Toot .
 3,438,342 4/1969 Woolworth et al. .
 3,606,844 9/1971 Lubker, II et al. .
 3,610,173 10/1971 McIlwraith et al. .

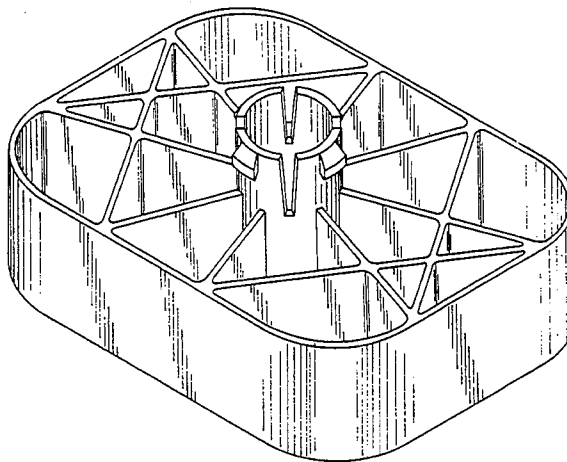
Primary Examiner—Kay H. Chin
 Attorney, Agent, or Firm—Wallenstein, Wagner & Hattis, Ltd.

[57] CLAIM

The ornamental design for a connector for a pallet assembly, as shown and described.

DESCRIPTION

FIG. 1 is a perspective top view of a connector for a pallet assembly showing our new design;
 FIG. 2 is a top plan view of the connector;
 FIG. 3 is a bottom plan view of the connector;
 FIG. 4 is a right elevation view of the connector with the left elevation view being a mirror image thereof; and,
 FIG. 5 is a front elevation view of the connector with the rear elevation view being a mirror image thereof.



U.S. PATENT DOCUMENTS					
3,804,032	4/1974	Baucom .	4,597,338	7/1986	Kreeger .
3,814,031	6/1974	Fowler .	4,604,014	8/1986	Frano .
3,835,791	9/1974	Brown .	4,635,562	1/1987	Kreeger .
3,835,792	9/1974	Wharton .	4,664,260	5/1987	Stokes .
3,915,099	10/1975	Wies et al. .	4,671,188	6/1987	Betro .
3,916,803	11/1975	Garcia .	4,674,910	6/1987	Hayashi .
3,994,241	11/1976	Evans .	4,681,288	7/1987	Nakamura .
4,002,126	1/1977	Bell et al. .	4,697,699	10/1987	Schneider .
4,013,021	3/1977	Steinlein et al. .	4,706,576	11/1987	James .
4,051,787	10/1977	Nishitani et al. .	4,735,154	4/1988	Hemery .
4,128,253	12/1978	Powers .	4,735,225	11/1988	Poe et al. .
4,159,592	7/1979	Gabriel .	4,782,763	11/1988	Salloum .
4,183,491	1/1980	Sanders et al. .	4,799,433	1/1989	Luft .
4,230,049	10/1980	Horne .	4,843,976	7/1989	Pigott et al. .
4,267,781	5/1981	Powers .	4,869,456	9/1989	Jacobs .
4,287,836	9/1981	Aoki .	4,928,827	5/1990	Hara .
4,316,419	2/1982	Cupido .	4,951,821	8/1990	Kempkes .
4,430,776	2/1984	Shumizu et al. .	4,972,782	11/1990	Shepherd et al. .
4,475,703	10/1984	Nordgren .	4,998,619	3/1991	Sowa et al. .
4,482,051	11/1984	Cantey, Jr. .	5,097,951	3/1992	Pigott et al. .
4,580,680	4/1986	Wind .	5,160,029	11/1992	Pigott et al. .
			5,193,464	3/1993	Morden 108/53.3

FIG. 1

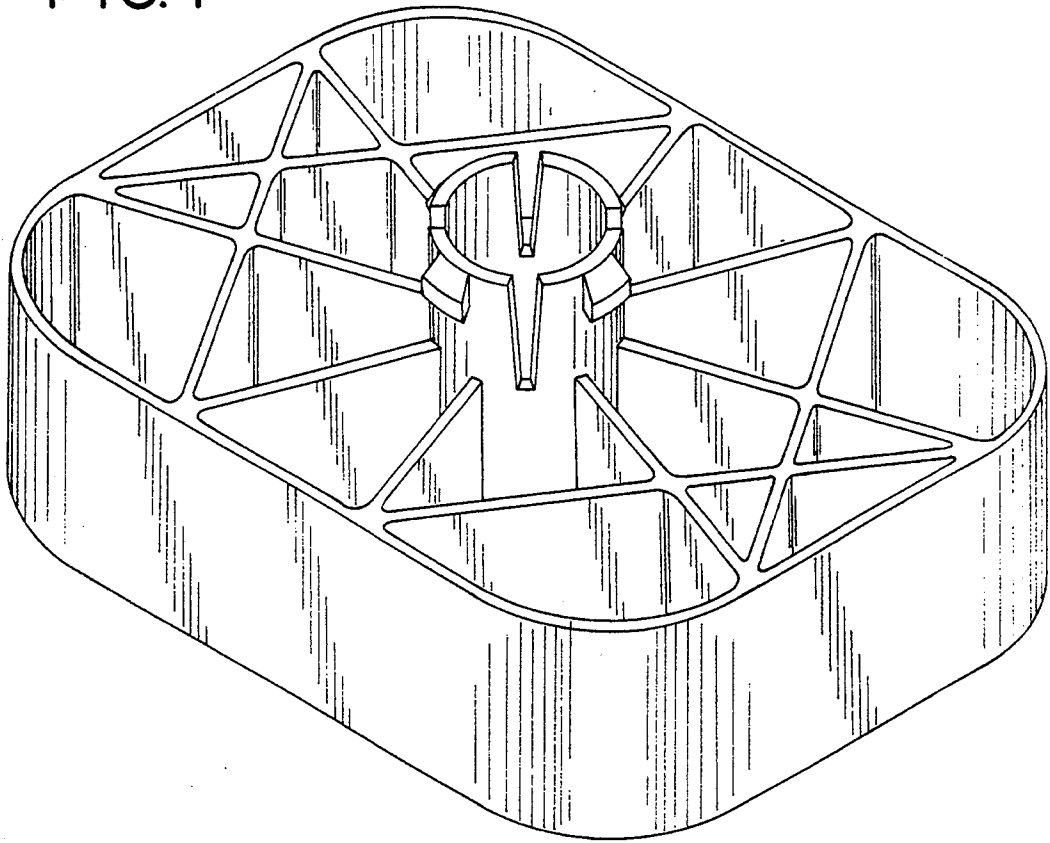


FIG. 2

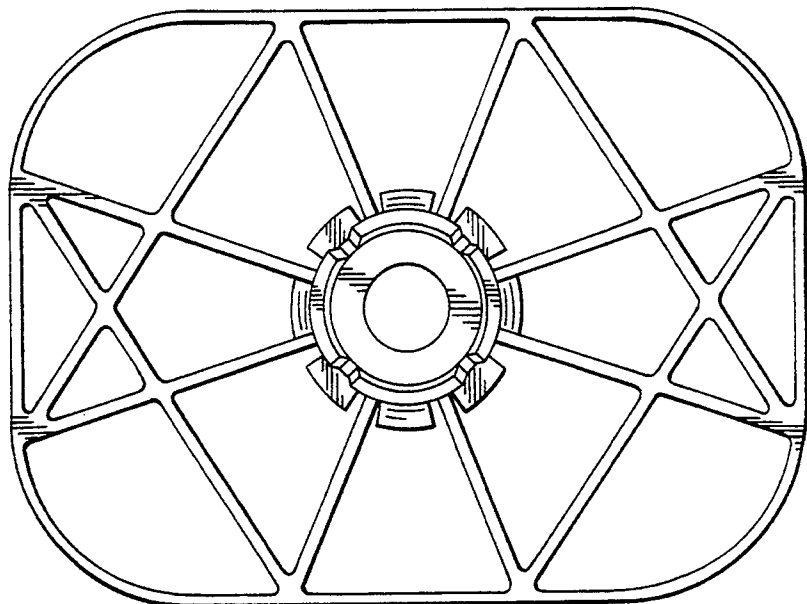


FIG. 3

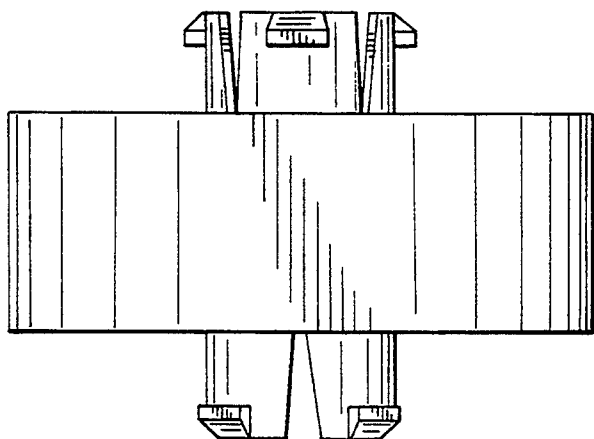
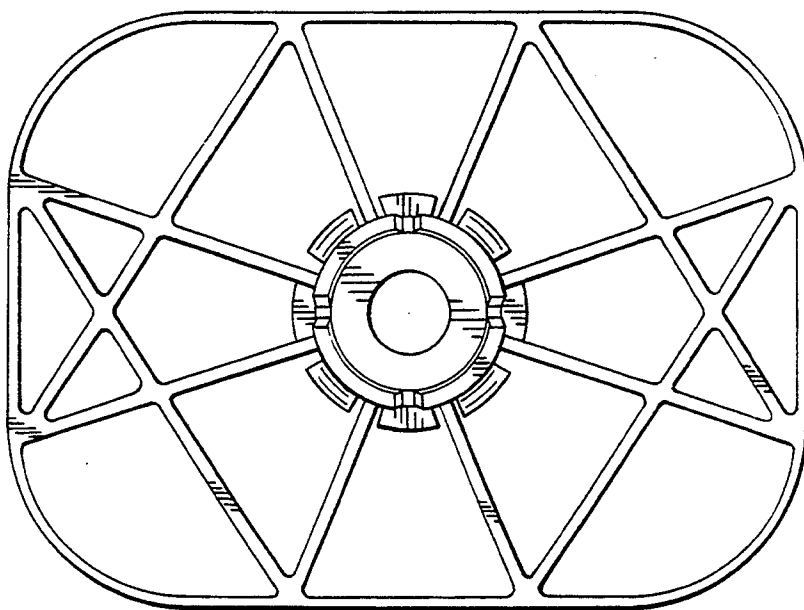
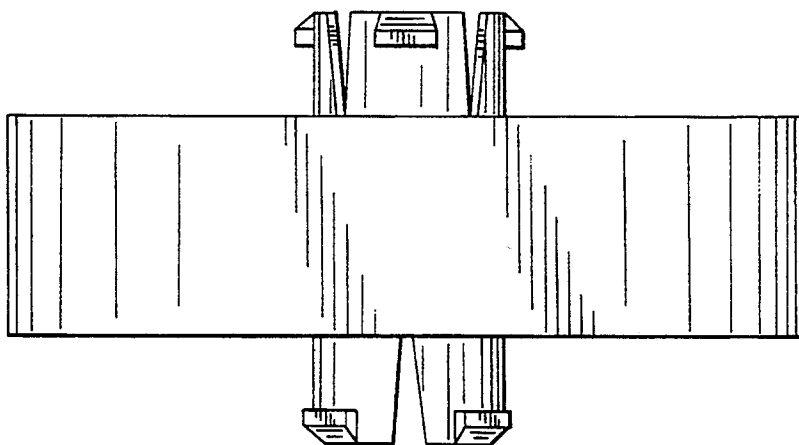


FIG. 4

FIG. 5



UNITED STATES PATENT AND TRADEMARK OFFICE
CERTIFICATE OF CORRECTION

PATENT NO. : Des. 354,606
DATED : January 17, 1995
INVENTOR(S) : Pigott, et al.

Page 1 of 4

It is certified that error appears in the above-identified patent and that said Letters Patent is hereby corrected as shown below:

The title page should be deleted and substitute therefor the attached title page.

Delete drawing sheets 1-2, and substitute therefor the drawing sheets, consisting of FIGS. 1-5, as shown on the attached pages.

Signed and Sealed this
Twenty-fifth Day of April, 1995

Attest:



BRUCE LEHMAN

Attesting Officer

Commissioner of Patents and Trademarks



US00D354606S

United States Patent [19]

[11] Patent Number: Des. 354,606

Pigott et al.

[45] Date of Patent: ** Jan. 17, 1995

[54] CONNECTOR FOR A PALLET ASSEMBLY

[76] Inventors: Brandon L. Pigott, 1017 Elmwood Ave., Wilmette, Ill. 60091; Schuyler F. Pigott, 1122 N. Patton St., Arlington Heights, Ill. 60004; Peter S. Pigott, 803 Elmwood Ave., Wilmette, Ill. 60091; Maurice J. Pigott, 591 Cherry St., Winnetka, Ill. 60093

3,664,271	5/1972	Wolder et al.
3,664,272	5/1972	Sanders
3,667,403	6/1972	Angebeck
3,680,495	8/1972	Pike
3,683,821	8/1972	Mangold
3,691,964	9/1972	Larson et al.
3,691,965	9/1972	Cloyd
3,717,396	2/1973	Dupree

(List continued on next page.)

[**] Term: 14 Years

[21] Appl. No.: 15,696

[22] Filed: Nov. 24, 1993

Related U.S. Application Data

[63] Continuation-in-part of Ser. No. 12,508, Sep. 2, 1993, Pat. No. Des. 347,511, which is a continuation-in-part of Ser. No. 7,372, Apr. 21, 1993, Pat. No. Des. 346,681, which is a continuation-in-part of Ser. No. 961,396, Oct. 15, 1992, which is a continuation-in-part of Ser. No. 644,928, Jan. 23, 1991, Pat. No. 5,197,395, which is a continuation-in-part of Ser. No. 230,025, Aug. 9, 1988, Pat. No. 4,843,976.

[52] U.S. Cl. D34/38

[58] Field of Search D34/38; 108/53.3, 53.5, 108/51.1, 56.3, 56.1

FOREIGN PATENT DOCUMENTS

23328/70	6/1972	Australia	
42086/72	11/1973	Australia	
0226505	6/1987	European Pat. Off.	
2101346	3/1972	France	
2160677	6/1973	France	
2259023	8/1975	France	
2274512	1/1976	France	
2486029	1/1982	France	
2613083	3/1976	Germany	
3806097	9/1989	Germany	
9002386	6/1991	Netherlands	108/53.3
166486	7/1921	United Kingdom	
1310898	3/1973	United Kingdom	
2224993	5/1990	United Kingdom	108/53.3
2252293	8/1992	United Kingdom	108/53.3
701869	5/1979	U.S.S.R.	
WO90/01448	2/1990	WIPO	

[56] References Cited

U.S. PATENT DOCUMENTS

Re. 32,344	2/1987	Wind	
D. 233,373	10/1974	Rehrig	
D. 247,523	3/1978	Carroll et al.	
D. 257,247	10/1980	Powers	D34/38
2,691,499	10/1954	Watts	
2,916,239	12/1959	Stopps	
2,918,241	12/1959	Maher	
2,991,965	7/1961	Drieborg	
3,123,020	3/1964	Voissem	
3,307,504	3/1967	Cloyd et al.	
3,316,861	5/1967	Dailey	
3,407,758	10/1968	Simkins	
3,424,110	1/1969	Toot	
3,438,342	4/1969	Woolworth et al.	
3,606,844	9/1971	Lubker, II et al.	
3,610,173	10/1971	McIlwraith et al.	

Primary Examiner—Kay H. Chin
Attorney, Agent, or Firm—Wallenstein, Wagner & Hattis, Ltd.

[57] CLAIM

The ornamental design for a connector for a pallet assembly, as shown and described.

DESCRIPTION

FIG. 1 is a perspective top view of a connector for a pallet assembly showing our new design; FIG. 2 is a top plan view of the connector; FIG. 3 is a bottom plan view of the connector; FIG. 4 is a right elevation view of the connector with the left elevation view being a mirror image thereof; and, FIG. 5 is a front elevation view of the connector with the rear elevation view being a mirror image thereof.

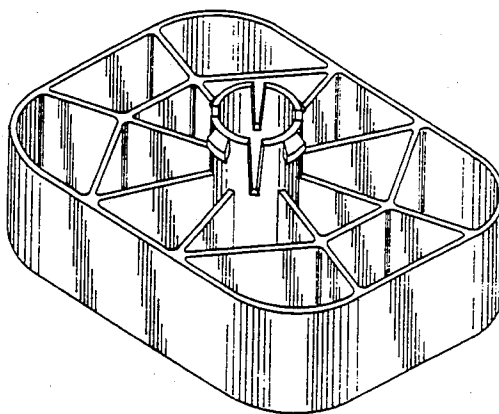


FIG. 1

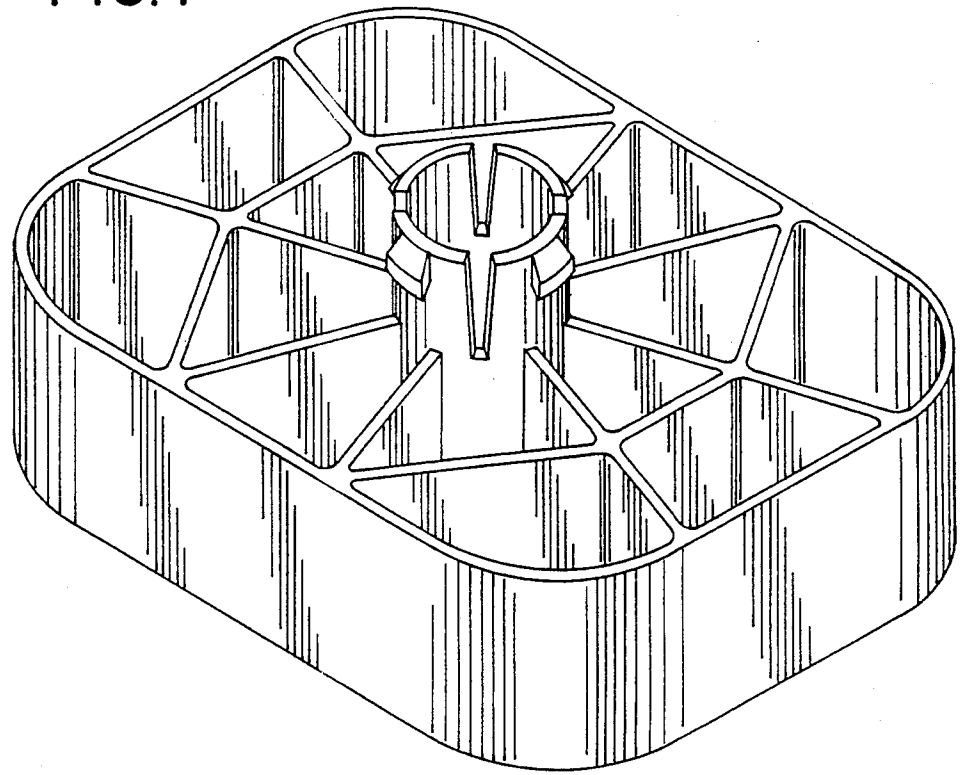


FIG. 2

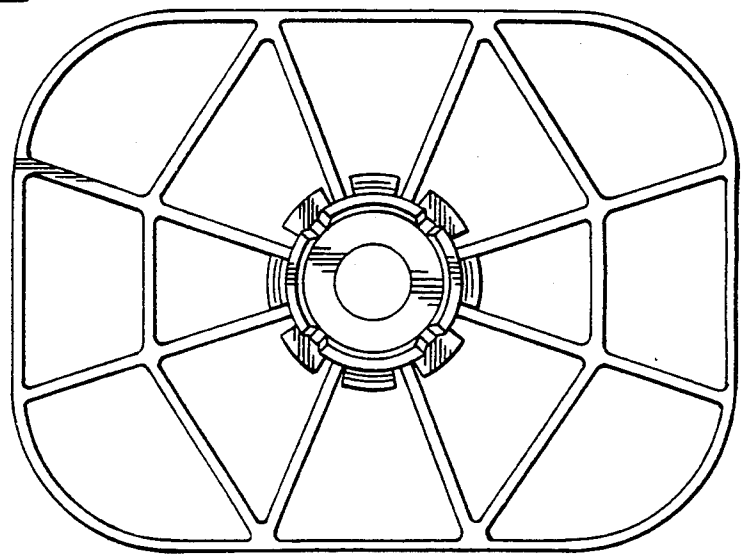


FIG. 3

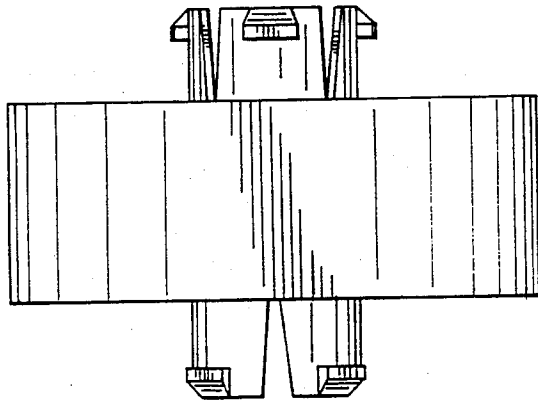
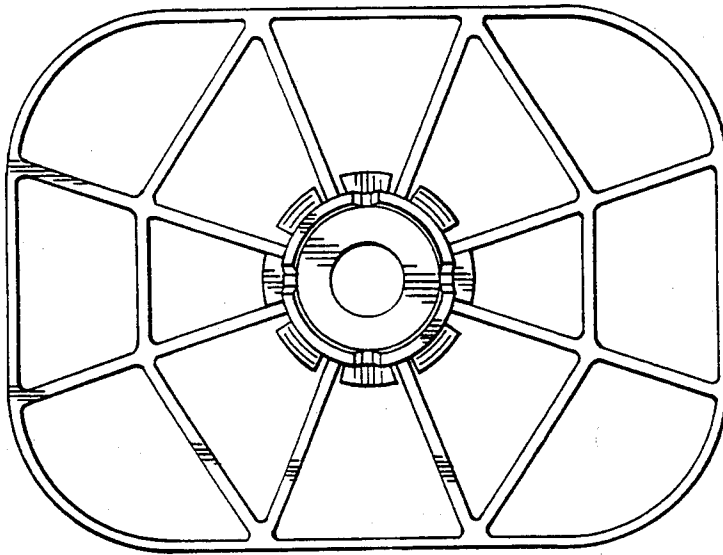


FIG. 4

FIG. 5

