



US00D680684S

(12) **United States Design Patent**
Enshiwat

(10) **Patent No.:** **US D680,684 S**

(45) **Date of Patent:** **** Apr. 23, 2013**

(54) **HOOKAH TRAY**

(76) Inventor: **Ryan Enshiwat**, Oak Lawn, IL (US)

(**) Term: **14 Years**

(21) Appl. No.: **29/431,875**

(22) Filed: **Sep. 11, 2012**

(51) **LOC (9) Cl.** **27-02**

(52) **U.S. Cl.**
USPC **D27/162**

(58) **Field of Classification Search** D27/106,
D27/136, 133, 134, 135, 102, 103, 104, 105,
D27/137, 161, 163, 160, 166, 167, 168, 181,
D27/183, 162, 169, 180, 165, 164, 182, 184,
D27/185, 186, 187, 188, 189, 190; 131/235.1,
131/241, 248, 231, 240.1, 236, 256, 175,
131/173; D9/432, 423; 248/230.8; 431/146,
431/254, 252, 277, 255, 153, 356

See application file for complete search history.

(56) **References Cited**

U.S. PATENT DOCUMENTS

D230,099 S * 1/1974 Orr D27/162
D243,256 S * 2/1977 Grihalva D27/162
D249,071 S * 8/1978 Shepard, Jr. D27/162

D261,439 S * 10/1981 Sher D27/162
D262,145 S * 12/1981 Sher D27/162
D358,229 S * 5/1995 Heine D27/162
D638,984 S * 5/2011 Gould D27/163

* cited by examiner

Primary Examiner — Kevin Rudzinski

(74) *Attorney, Agent, or Firm* — Richards Patent Law P.C.

(57) **CLAIM**

The ornamental design for a hookah tray, as shown and described.

DESCRIPTION

FIG. 1 is a top perspective view of a hookah tray showing my new design in use with a hookah base and attachments;
FIG. 2 is a top perspective view of the hookah tray without the hookah base and attachments;
FIG. 3 is a bottom perspective view thereof;
FIG. 4 is a front view thereof;
FIG. 5 is a side view thereof;
FIG. 6 is a top view thereof; and,
FIG. 7 is a bottom view thereof.
Those portions of the figures that are presented in broken lines merely illustrate the environment of the design and are not part of the claimed design.

1 Claim, 6 Drawing Sheets

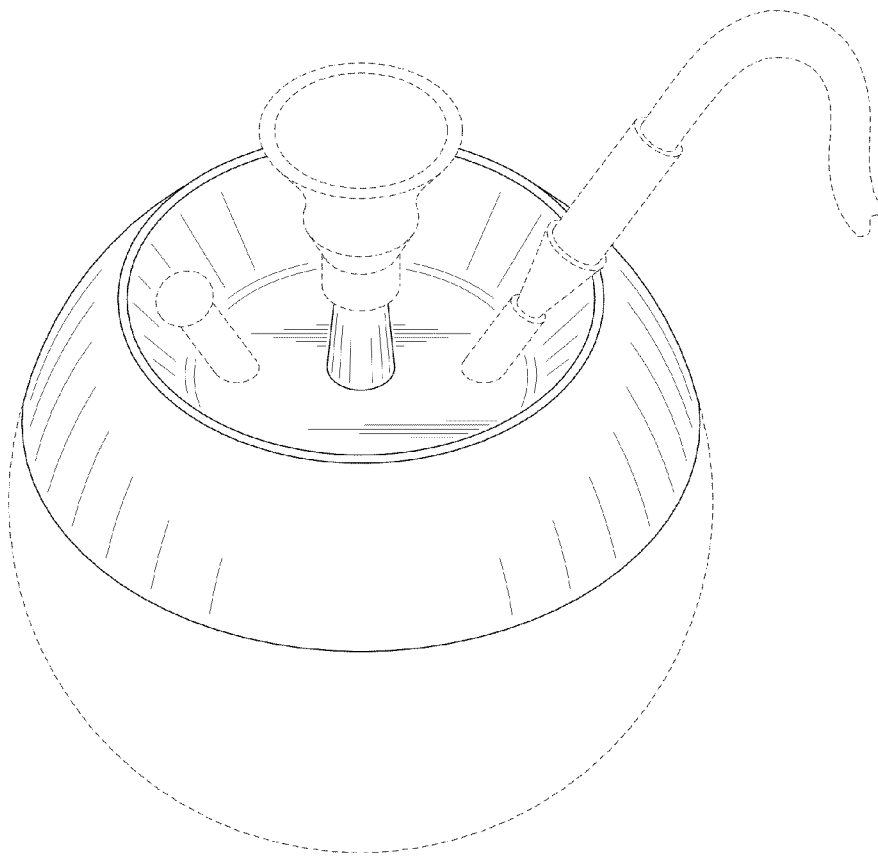


FIG. 1

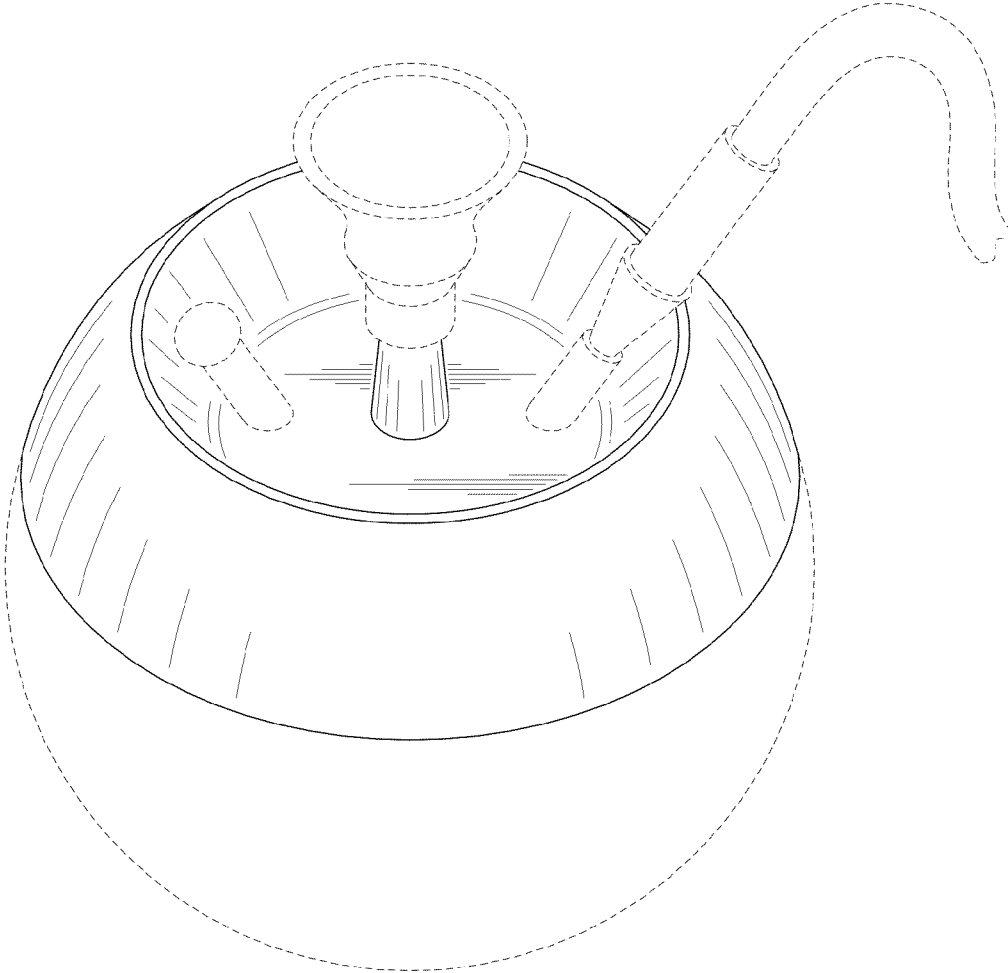


FIG. 2

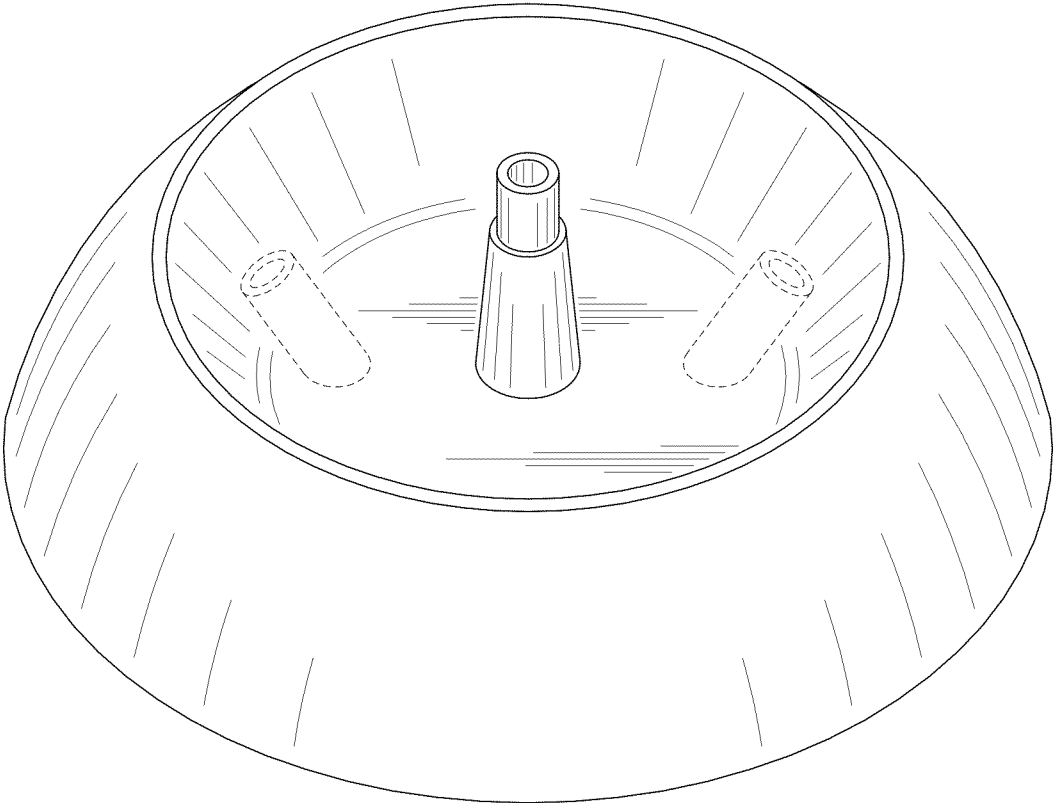


FIG. 3

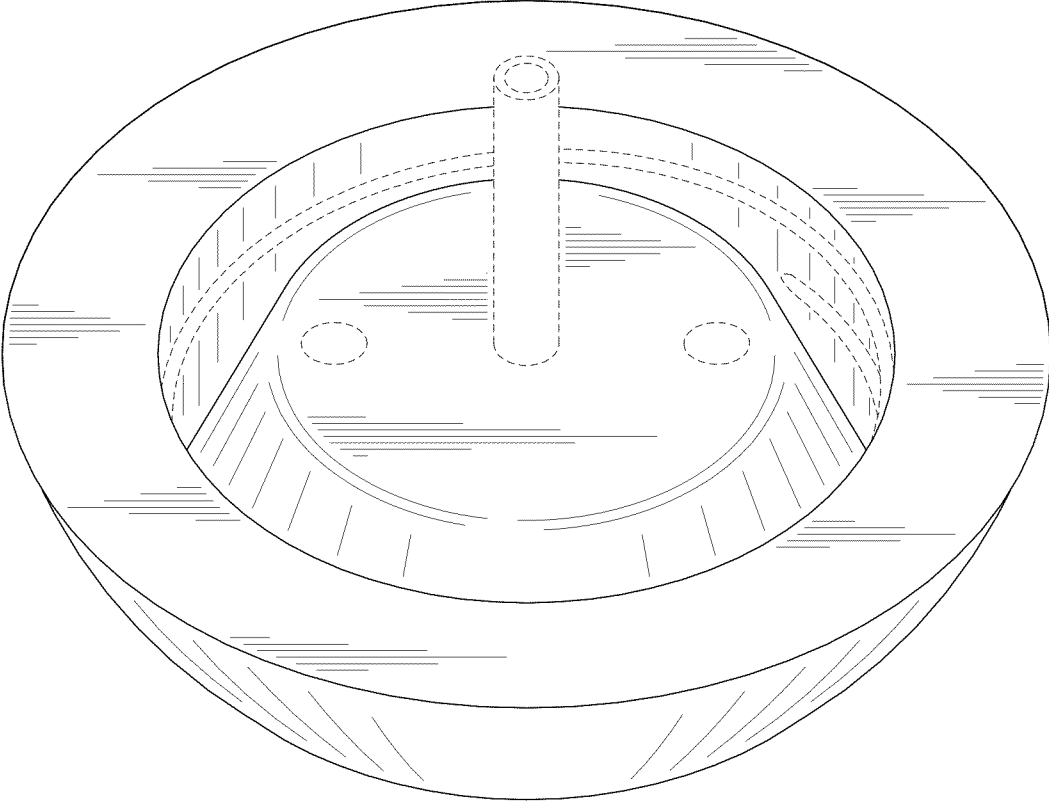


FIG. 4

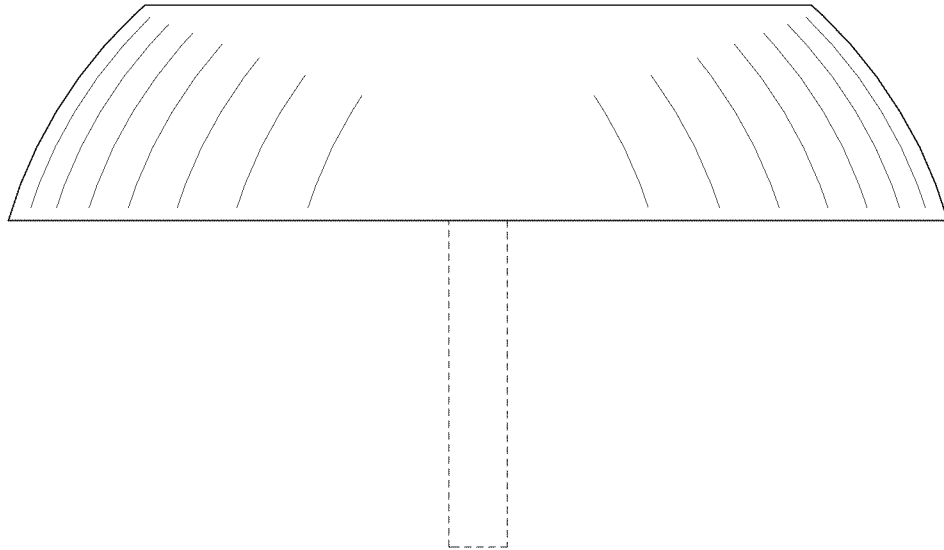


FIG. 5

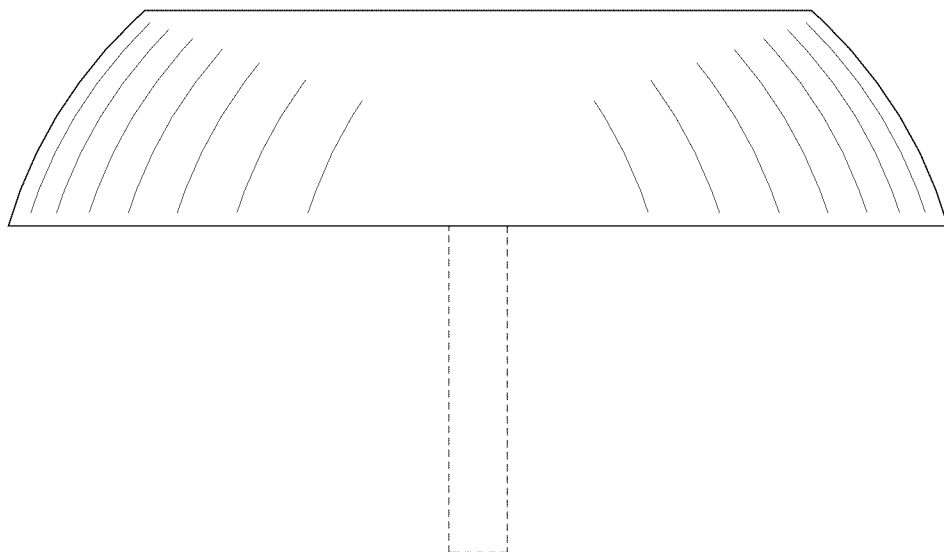


FIG. 6

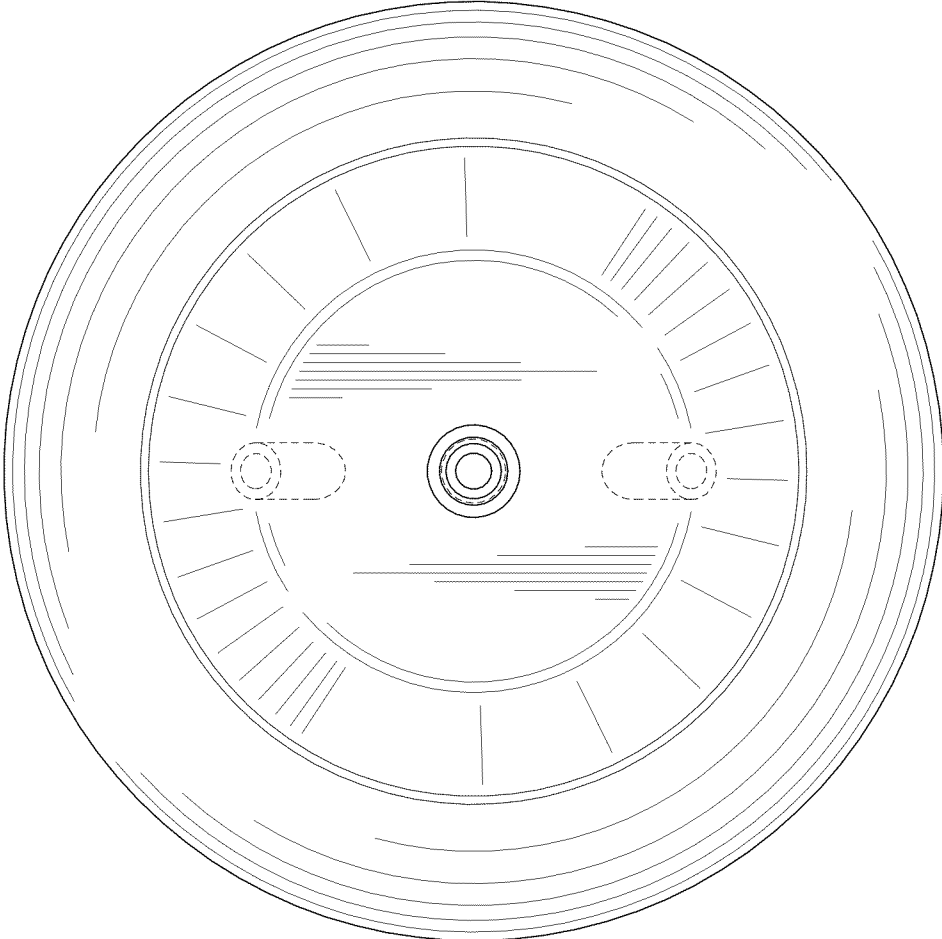


FIG. 7

