



US00D895583S

(12) **United States Design Patent**
Smith et al.

(10) **Patent No.:** **US D895,583 S**

(45) **Date of Patent:** **** Sep. 8, 2020**

(54) **MICROPHONE**

FOREIGN PATENT DOCUMENTS

(71) Applicant: **Shure Acquisition Holdings, Inc.**,
Niles, IL (US)

CN 304332932 * 10/2017
CN 305734304 * 4/2020

(72) Inventors: **Dustin Jonathan Smith**, Chicago, IL (US); **Michael Alan Diamond**, Arlington Heights, IL (US); **Soren Christian Pedersen**, Chicago, IL (US); **Timothy William Balgemann**, Lombard, IL (US); **John Matthew Miller**, Grayslake, IL (US); **Ryan Jerold Perkofski**, Lake Bluff, IL (US)

OTHER PUBLICATIONS

Catalog for "2010 Product Catalog", Shure Incorporated, p. 15, publication date unknown but prior to the filing date of the present application (1page).

(Continued)

(73) Assignee: **Shure Acquisition Holdings, Inc.**,
Niles, IL (US)

Primary Examiner — Paula Allen Greene

(74) *Attorney, Agent, or Firm* — Banner & Witcoff, Ltd.

(**) Term: **15 Years**

(21) Appl. No.: **29/680,743**

(22) Filed: **Feb. 19, 2019**

(51) **LOC (12) Cl.** **14-01**

(52) **U.S. Cl.**

USPC **D14/227**

(58) **Field of Classification Search**

USPC D14/227, 228, 225, 229; D9/560, 530,
D9/534, 501; D6/518; 181/242, 156,
181/144, 150, 192, 158; 362/410, 412,
362/414; 455/90.3, 575.1, 569.1;
381/361, 355

CPC H04R 9/08; H04R 19/04; H04R 11/04;
H04R 25/00; H04R 1/08; H04R 1/20;
H04R 1/02; H04R 1/086; F16M 13/00

See application file for complete search history.

(57) **CLAIM**

The ornamental design for a microphone, as shown and described.

DESCRIPTION

FIG. 1 is a top, front, left perspective view of a microphone showing our new design;

FIG. 2 is a left side view thereof;

FIG. 3 is a right side view thereof;

FIG. 4 is a front view thereof;

FIG. 5 is a rear view thereof;

FIG. 6 is a top view thereof;

FIG. 7 is a top, front, left perspective view of FIG. 1 thereof, shown with an unclaimed portion; and,

FIG. 8 is a front view thereof, where the unclaimed portion is shown in an alternate configuration.

The uneven-length broken lines immediately adjacent to the shaded area define the bounds of the claimed design and form no part thereof. The remaining uneven-length broken lines in FIGS. 7 and 8 represent unclaimed subject matter and form no part of the claimed design.

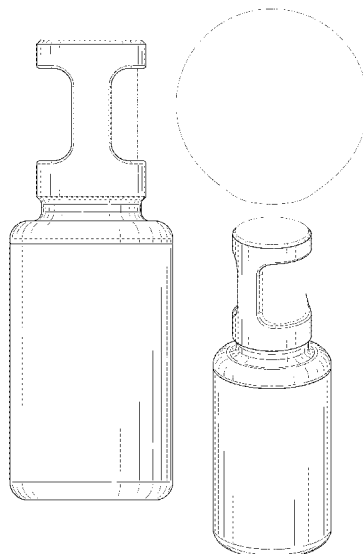
(56) **References Cited**

U.S. PATENT DOCUMENTS

2,081,622 A * 5/1937 Foster H04R 1/08
381/361
2,773,933 A * 12/1956 Hawley H04R 1/406
381/357
3,201,530 A * 8/1965 Levy H04R 1/08
381/91

(Continued)

1 Claim, 6 Drawing Sheets



(56)

References Cited

U.S. PATENT DOCUMENTS

D209,515 S * 12/1967 Thomson D14/228
 D213,567 S * 3/1969 Buchanan D14/228
 3,515,821 A * 6/1970 Knauert H04R 1/06
 381/360
 D218,315 S * 8/1970 Rusch D14/228
 3,560,668 A * 2/1971 Warning H04R 1/222
 381/360
 3,718,862 A * 2/1973 Norris H04B 5/06
 455/95
 D228,193 S * 8/1973 Prayne D14/228
 D239,722 S * 4/1976 Schmidt D14/228
 3,989,905 A * 11/1976 Anderson H04R 1/02
 381/360
 D247,707 S * 4/1978 Armstrong D14/228
 D253,468 S * 11/1979 Peterson D14/228
 D259,173 S * 5/1981 Lauren D9/560
 4,344,184 A * 8/1982 Edwards H04B 1/04
 343/702
 4,447,678 A * 5/1984 Fidi H04R 23/02
 181/153
 D275,834 S * 10/1984 Slade D9/772
 4,628,525 A * 12/1986 Iwahara H04R 1/086
 381/26
 4,633,045 A * 12/1986 Bartlett H04R 1/38
 381/345
 D295,759 S * 5/1988 Kolich D14/226
 D296,100 S * 6/1988 Kubota D14/228
 D296,435 S * 6/1988 Kubota D14/228
 4,789,044 A * 12/1988 Akino H04R 1/38
 181/158
 D302,819 S * 8/1989 Kubota D14/228
 4,910,795 A * 3/1990 McCowen H04R 1/04
 455/95
 5,357,577 A * 10/1994 Waji H01J 7/24
 361/704
 5,444,790 A * 8/1995 Kogen H04R 1/086
 381/189
 5,675,660 A * 10/1997 Townsend H04R 1/086
 381/189
 5,742,697 A * 4/1998 Ching-Chung H04R 1/083
 381/355

D407,407 S * 3/1999 Okon D14/228
 D479,227 S * 9/2003 Marshall D14/228
 D479,837 S * 9/2003 Sundquist D14/228
 D530,706 S 10/2006 Gustafson et al.
 D531,171 S 10/2006 Gustafson et al.
 D573,471 S * 7/2008 Seum D9/516
 D594,856 S * 6/2009 Marshall D14/228
 D604,274 S * 11/2009 Durrett D14/228
 D623,631 S * 9/2010 Kung D14/228
 7,889,882 B2 * 2/2011 Marshall H04R 19/04
 381/113
 D634,307 S * 3/2011 Arpe D14/228
 D708,170 S * 7/2014 Duek D14/225
 D748,610 S 2/2016 Smith et al.
 D774,494 S * 12/2016 Sunwoo D14/227
 9,843,852 B2 12/2017 McGovern, Jr. et al.
 9,877,113 B2 * 1/2018 Akino H04R 7/122
 D833,291 S * 11/2018 Staab D9/560
 D834,566 S * 11/2018 Sunwoo D14/227
 D835,612 S * 12/2018 Tong D14/225
 D849,721 S * 5/2019 Chen D14/227
 D850,423 S * 6/2019 Chen D14/227
 10,334,340 B2 * 6/2019 Su H04R 1/08
 D859,370 S * 9/2019 Slaton D14/225
 10,643,599 B2 * 5/2020 Sterling H04R 1/345
 2010/0208929 A1 * 8/2010 Heil H04R 11/04
 381/355
 2018/0027316 A1 * 1/2018 Avliav H04R 1/086
 181/242

OTHER PUBLICATIONS

Catalog for “2010 Product Catalog”, Shure Incorporated, p. 20, publication date unknown but prior to the filing date of the present application (1page).

Catalog for “2015 Product Catalog”, Shure Incorporated, p. 8, publication date unknown but prior to the filing date of the present application (1page).

Catalog for “2015 Product Catalog”, Shure Incorporated, p. 9, publication date unknown but prior to the filing date of the present application (1page).

* cited by examiner

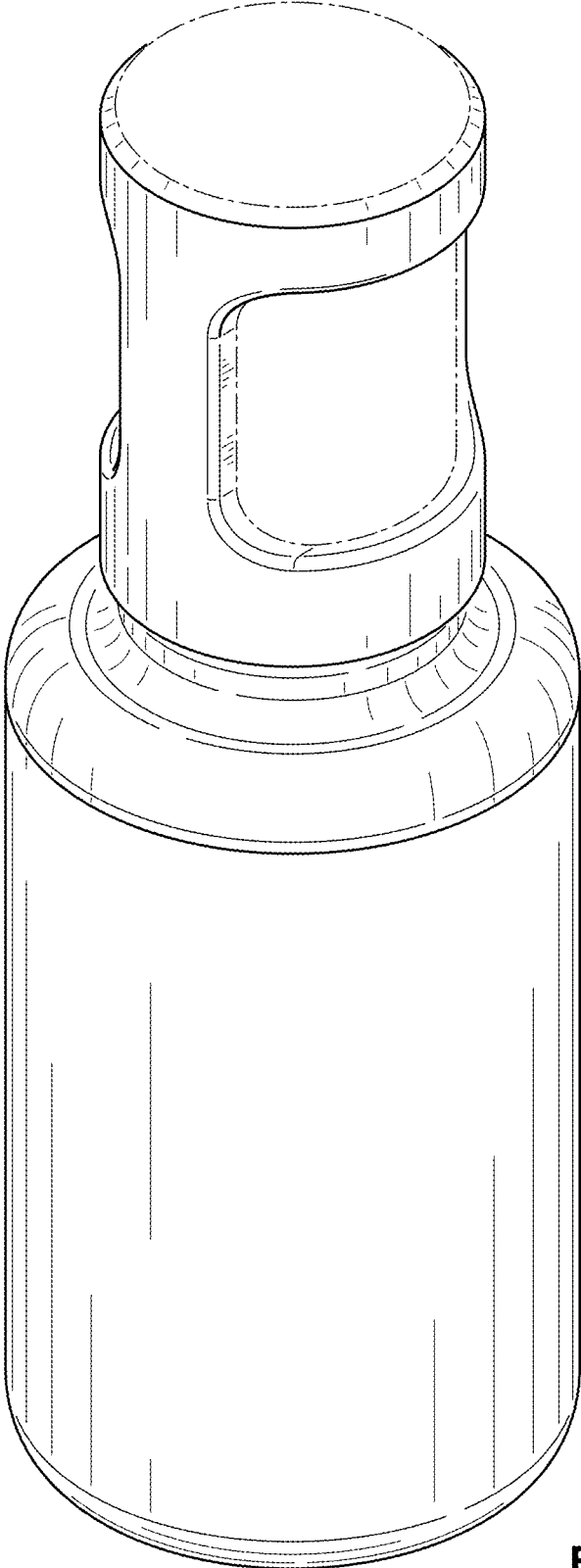


FIG. 1

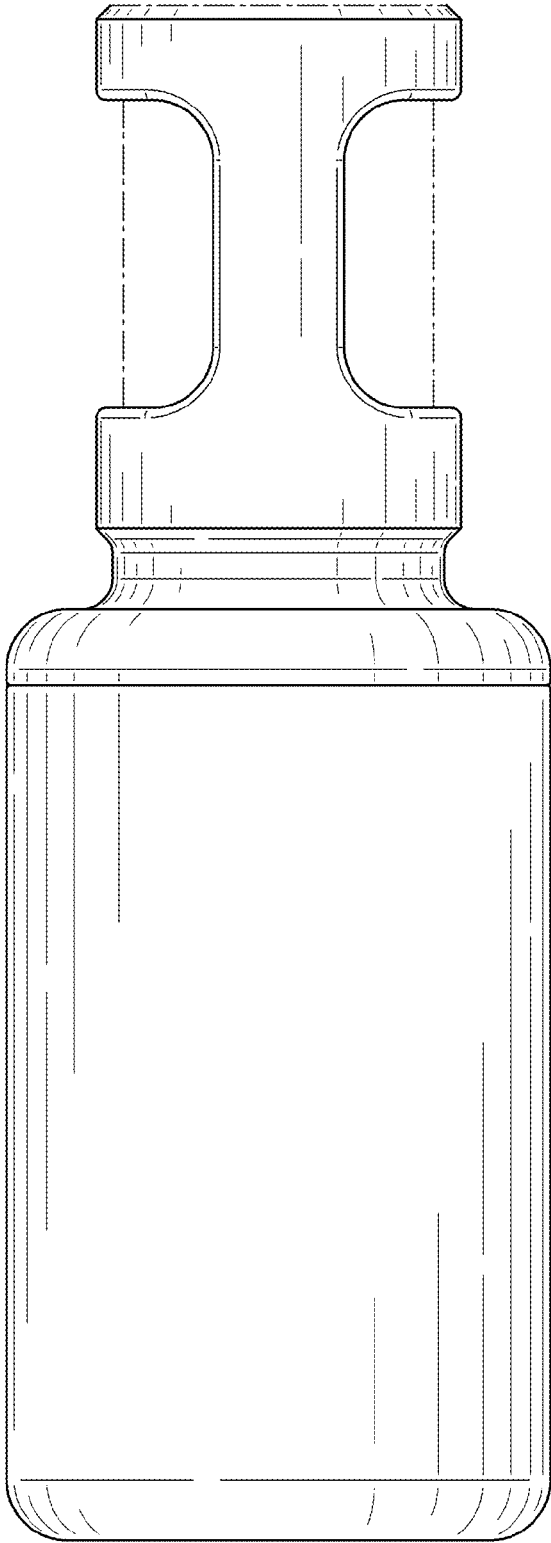


FIG. 2

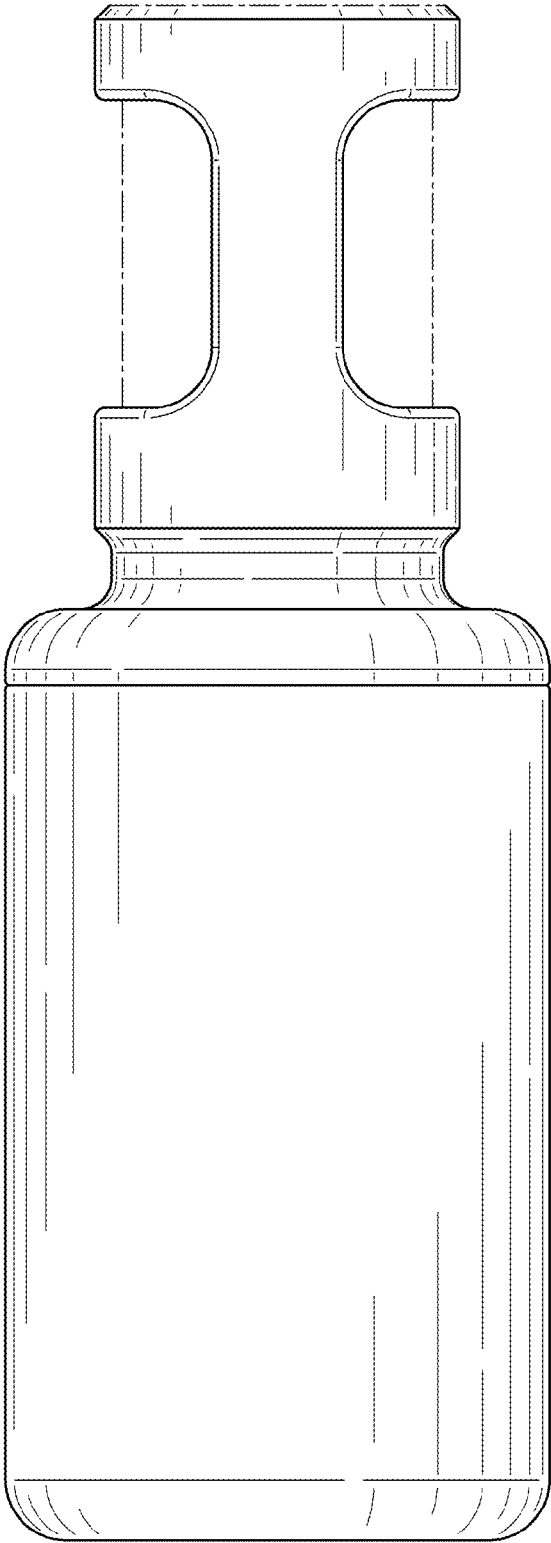


FIG. 3

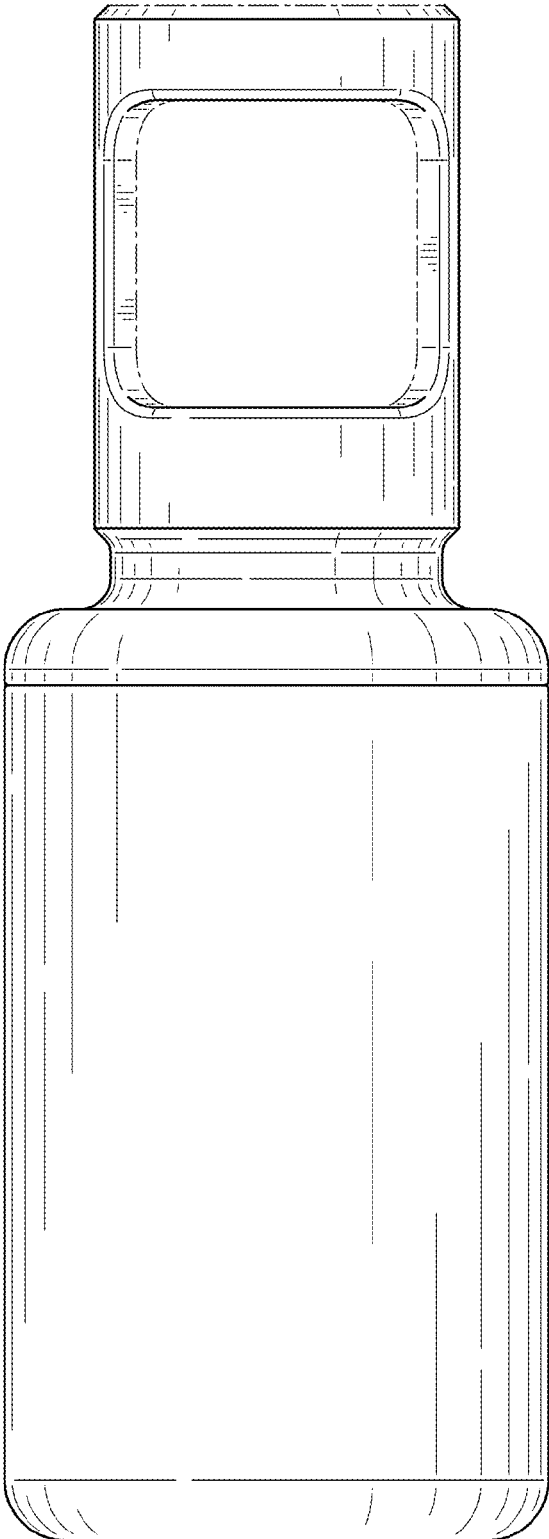


FIG. 4

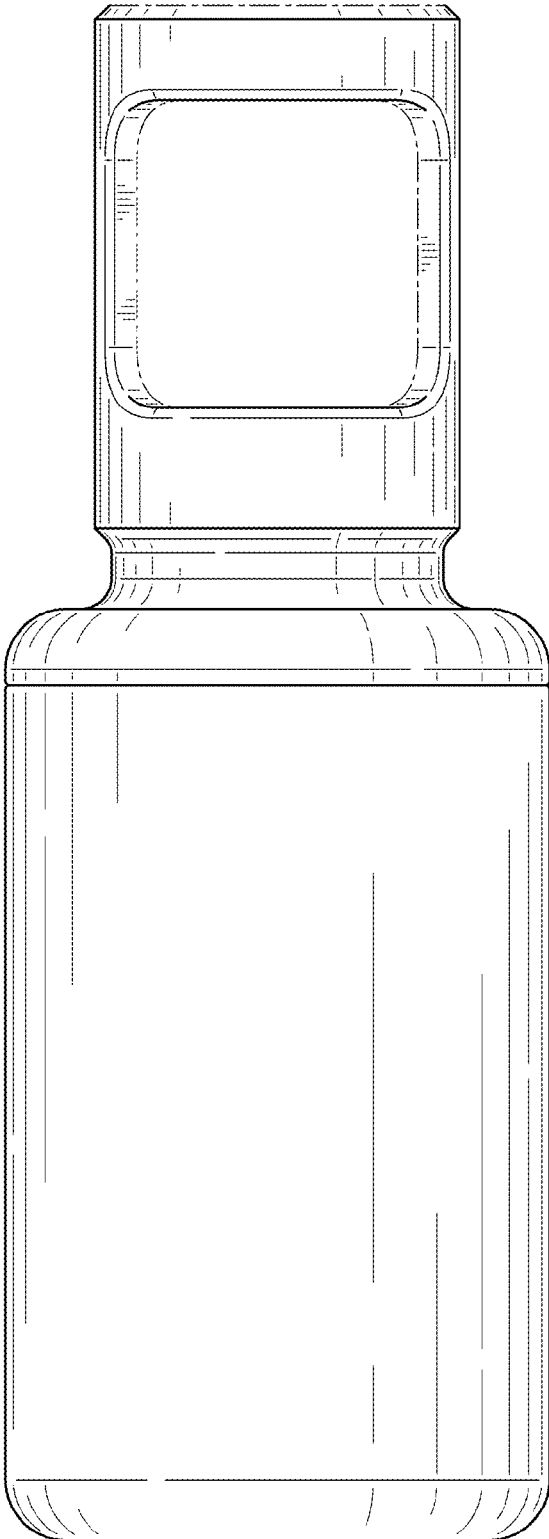


FIG. 5

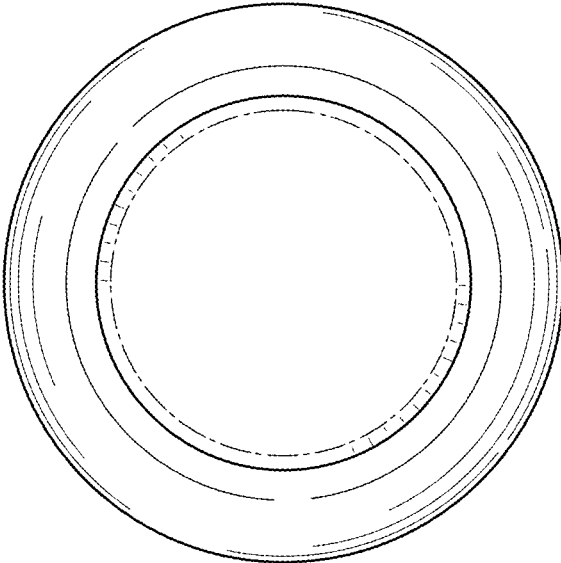


FIG. 6

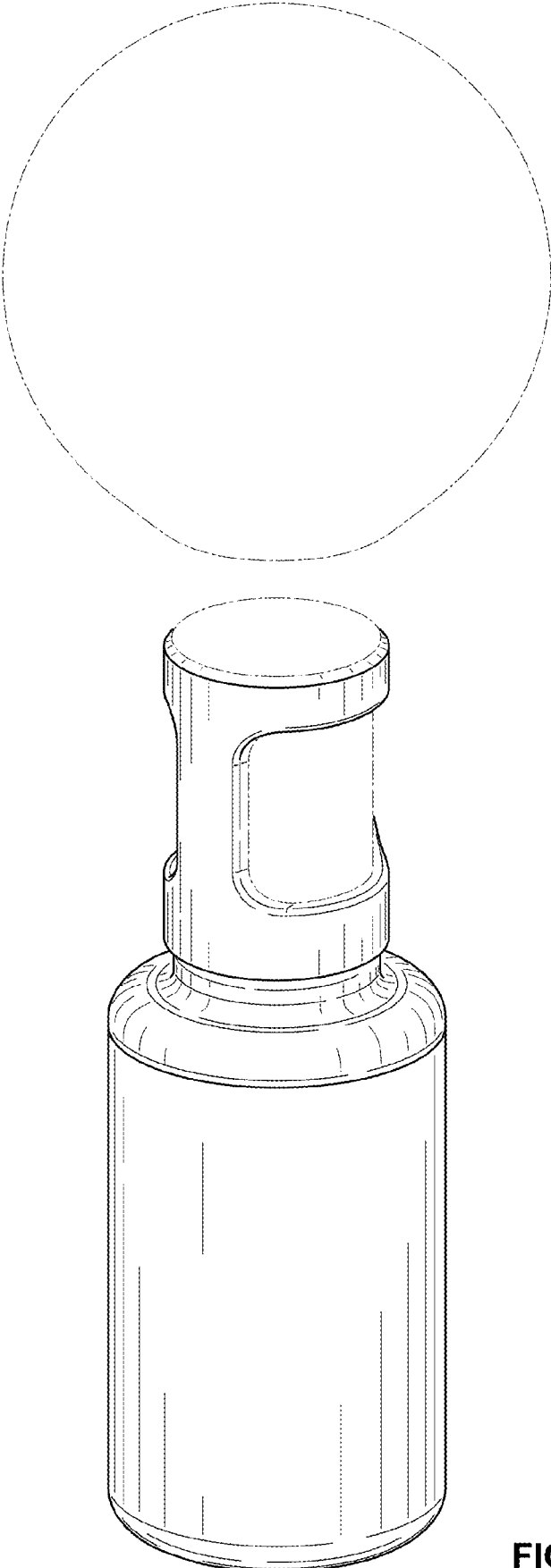


FIG. 7

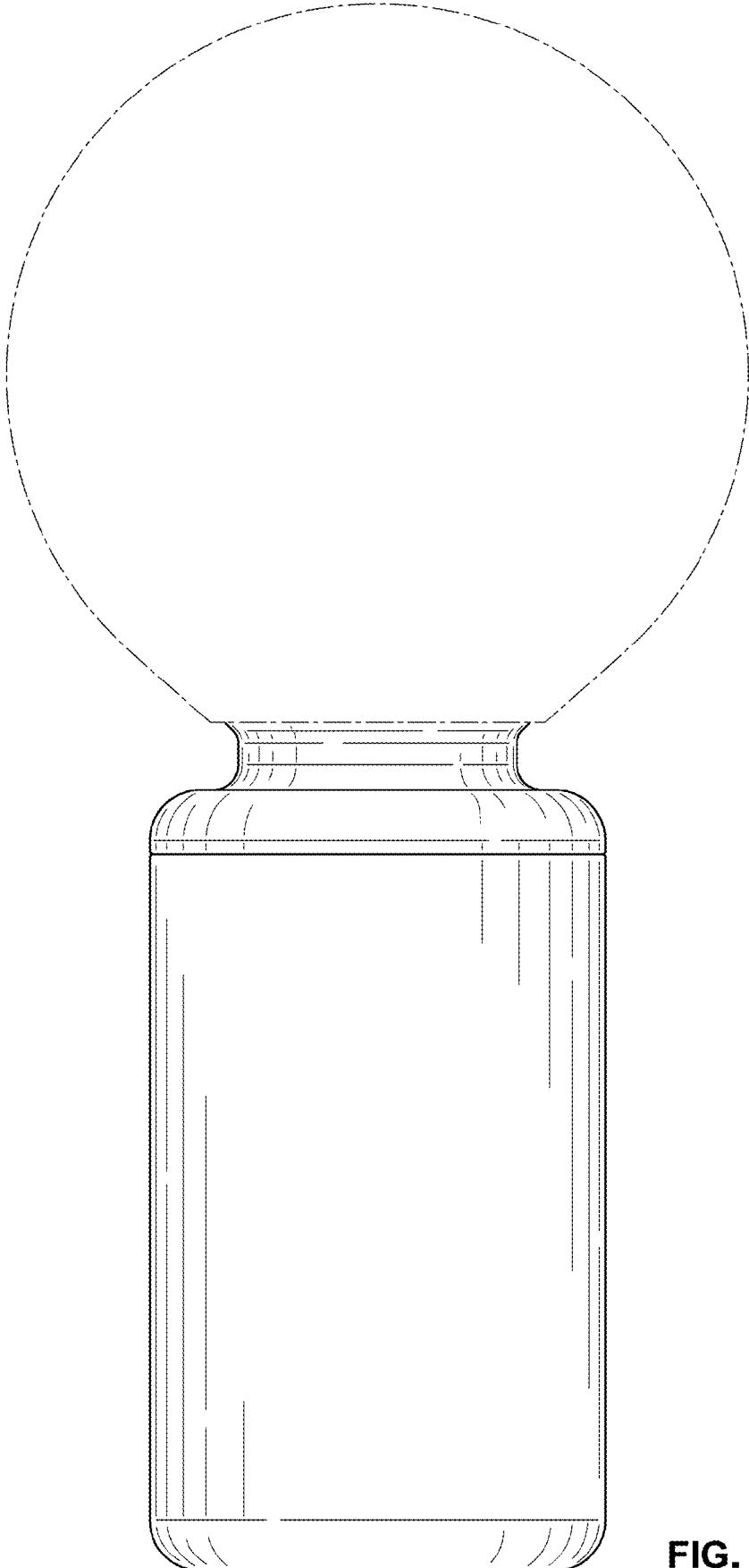


FIG. 8