



US00D753871S

(12) **United States Design Patent**
Aspgren

(10) **Patent No.:** **US D753,871 S**

(45) **Date of Patent:** **** Apr. 12, 2016**

- (54) **SNUFF POUCHES IN A SNUFF BOX**
- (71) Applicant: **SWEDISH MATCH NORTH EUROPE AB**, Stockholm (SE)
- (72) Inventor: **Thom Aspgren**, Hisings-Backa (SE)
- (73) Assignee: **Swedish Match North Europe AB**, Stockholm (SE)
- (**) Term: **14 Years**
- (21) Appl. No.: **29/518,917**
- (22) Filed: **Feb. 27, 2015**
- (51) **LOC (10) Cl.** **27-01**
- (52) **U.S. Cl.**
USPC **D27/100**
- (58) **Field of Classification Search**
USPC D27/100, 101, 106, 118, 162, 165, 166, D27/167, 172, 177, 183-194; D9/432, 451, D9/452, 502, 537, 556, 565, 643, 648, 661, D9/662, 713, 714, 721; 131/178, 179, 191, 131/194, 211, 222, 242.6, 260, 270, 271, 131/273, 329, 330, 358, 360, 367
CPC A24F 15/00; A24F 23/00; A24F 23/02; A24F 47/00; A24F 47/002; A24F 47/008
See application file for complete search history.

D674,537 S *	1/2013	Macko	D27/100
D674,538 S *	1/2013	Macko	D27/100
D683,497 S *	5/2013	Ghiotti	D27/186
D683,498 S *	5/2013	Ghiotti	D27/186
D690,606 S *	10/2013	Neias	D9/707
D690,607 S *	10/2013	Neias	D9/707
D690,608 S *	10/2013	Neias	D9/707
D693,961 S *	11/2013	Fish	D27/100
D713,598 S *	9/2014	Ghiotti	D27/186
D727,723 S	4/2015	Pipes	
D727,724 S *	4/2015	Pipes	D9/428
D732,732 S *	6/2015	Rushforth	D27/100
D735,054 S *	7/2015	Nelaas	D9/707
D738,745 S *	9/2015	Neias	D9/707
D744,160 S *	11/2015	Neias	D27/193
2007/0012328 A1 *	1/2007	Winterson	A24B 13/00 131/347
2010/0172604 A1	7/2010	Andersson et al.	
2012/0168329 A1 *	7/2012	Berggren	A24F 23/04 206/256
2015/0122675 A1 *	5/2015	Aspgren	A24F 23/00 206/236

FOREIGN PATENT DOCUMENTS

EP	0661154	7/1995
WO	WO 2010/027730	3/2010
WO	WO 2014/164416	10/2014

* cited by examiner

Primary Examiner — Rosemary K Tarcza

Assistant Examiner — Christy Nemeth

(74) *Attorney, Agent, or Firm* — Knobbe, Martens, Olson & Bear, LLP

(56) **References Cited**

U.S. PATENT DOCUMENTS

D48,432 S *	1/1916	Bagnulo	D9/622
D464,567 S	10/2002	Baerenwald et al.	
D474,402 S	5/2003	Baerenwald	
7,014,039 B2	3/2006	Henson et al.	
D554,502 S	11/2007	Hoffman et al.	
D594,154 S	6/2009	Patel et al.	
D600,855 S	9/2009	Krohn	
D605,046 S *	12/2009	Lablaine	D9/516
D609,855 S	2/2010	Patel et al.	
D617,043 S	6/2010	Patel et al.	
D624,437 S *	9/2010	Leclezio	D9/721
D637,903 S	5/2011	Ghiotti et al.	
D643,972 S *	8/2011	Krohn	D27/193

(57) **CLAIM**

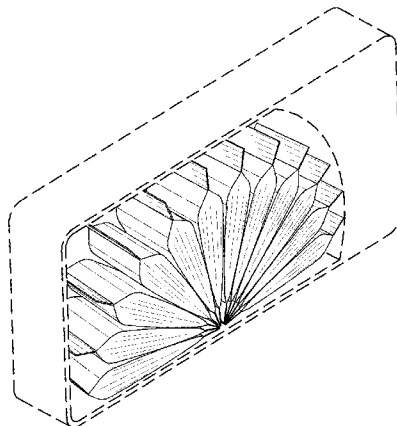
The ornamental design for snuff pouches in a snuff box, as shown and described.

DESCRIPTION

FIG. 1 is a top, back and side perspective view of snuff pouches in a snuff box embodying my new design; and, FIG. 2 is a top view thereof.

Broken lines are used to illustrate features of the snuff box which form no part of the claimed design.

1 Claim, 2 Drawing Sheets



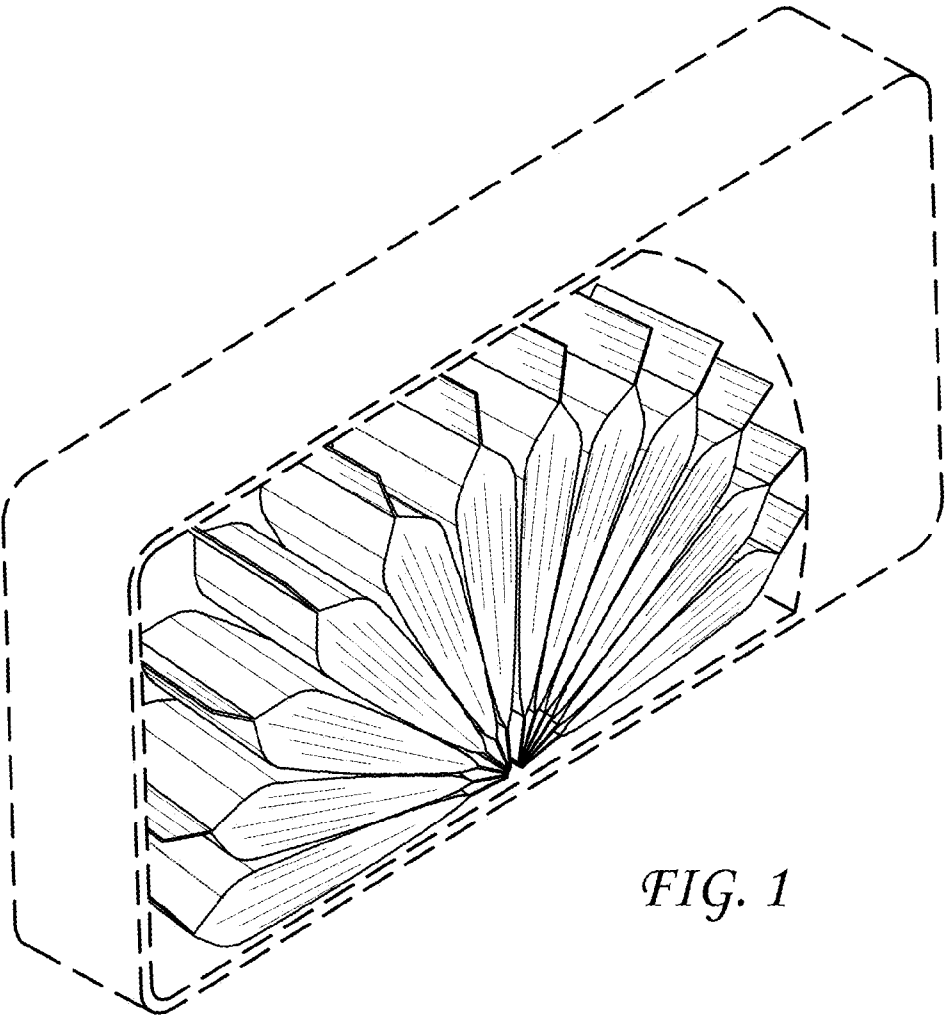


FIG. 1

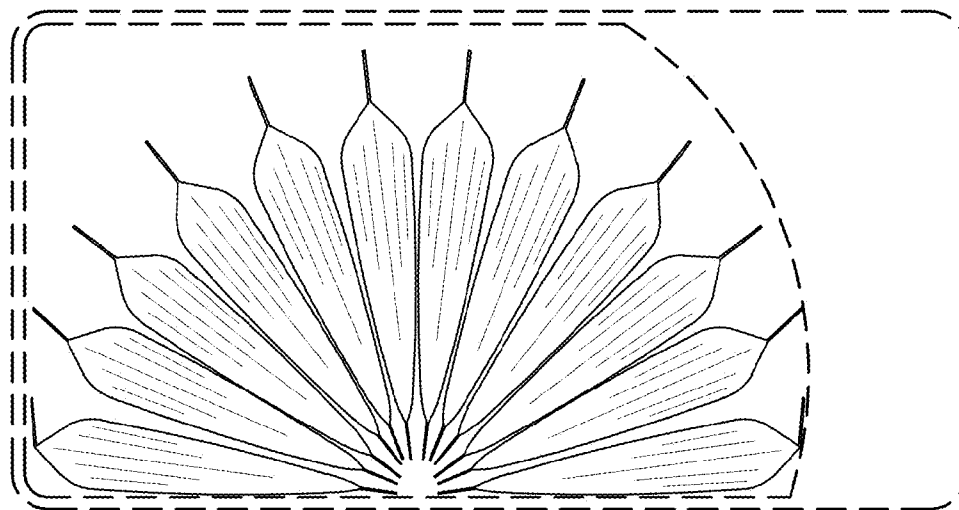


FIG. 2