

(19) World Intellectual Property Organization  
International Bureau



(43) International Publication Date  
9 February 2006 (09.02.2006)

PCT

(10) International Publication Number  
**WO 2006/014841 A3**

- (51) International Patent Classification:  
B32B 37/00 (2006.01) B32B 38/00 (2006.01)  
B32B 37/02 (2006.01) B32B 38/18 (2006.01)
- (21) International Application Number:  
PCT/US2005/026212
- (22) International Filing Date: 25 July 2005 (25.07.2005)
- (25) Filing Language: English
- (26) Publication Language: English
- (30) Priority Data:  
10/898,928 27 July 2004 (27.07.2004) US
- (71) Applicant (for all designated States except US): **PICTURE RICH, LLC** [US/US]; 1641 Garand Drive, Deerfield, IL 60015 (US).
- (72) Inventors; and
- (75) Inventors/Applicants (for US only): **WALTZ, Ellen** [US/US]; 1641 Garand Drive, Deerfield, IL 60015 (US).  
**WALTZ, Larry** [US/US]; 1641 Garand Drive, Deerfield, IL 60015 (US).
- (74) Agents: **MEYER, Richard, S.** et al.; McGuireWoods LLP, 1750 Tysons Boulevard, Suite 1800, McLean, VA 22102 (US).

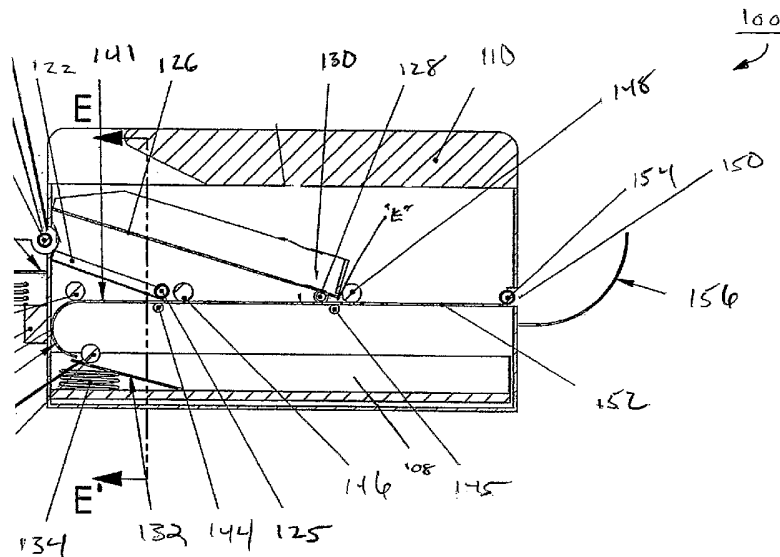
- (81) Designated States (unless otherwise indicated, for every kind of national protection available): AE, AG, AL, AM, AT, AU, AZ, BA, BB, BG, BR, BW, BY, BZ, CA, CH, CN, CO, CR, CU, CZ, DE, DK, DM, DZ, EC, EE, EG, ES, FI, GB, GD, GE, GH, GM, HR, HU, ID, IL, IN, IS, JP, KE, KG, KM, KP, KR, KZ, LC, LK, LR, LS, LT, LU, LV, MA, MD, MG, MK, MN, MW, MX, MZ, NA, NG, NI, NO, NZ, OM, PG, PH, PL, PT, RO, RU, SC, SD, SE, SG, SK, SL, SM, SY, TJ, TM, TN, TR, TT, TZ, UA, UG, US, UZ, VC, VN, YU, ZA, ZM, ZW.
- (84) Designated States (unless otherwise indicated, for every kind of regional protection available): ARIPO (BW, GH, GM, KE, LS, MW, MZ, NA, SD, SL, SZ, TZ, UG, ZM, ZW), Eurasian (AM, AZ, BY, KG, KZ, MD, RU, TJ, TM), European (AT, BE, BG, CH, CY, CZ, DE, DK, EE, ES, FI, FR, GB, GR, HU, IE, IS, IT, LT, LU, LV, MC, NL, PL, PT, RO, SE, SI, SK, TR), OAPI (BF, BJ, CF, CG, CI, CM, GA, GN, GQ, GW, ML, MR, NE, SN, TD, TG).

Published:  
— with international search report

(88) Date of publication of the international search report:  
18 May 2006

[Continued on next page]

(54) Title: LAMINATION APPARATUS AND METHOD OF USE



(57) Abstract: A lamination apparatus (100) and method of use, and more particularly a lamination apparatus (100) for automatically laminating photographs onto album pages is provided. The lamination apparatus (100) includes a holder (106) slidably mountable on a main body (102) and having an exit region in communication with an input region of the main body.(102) A staging tray (122) is arranged to be in a transportation path with the exit region of the holder (106) and the input region of the main body.(102) A guide (124) is arranged downstream from a transportation path of the staging tray (122). A lamination tray (126) is arranged to have an exit portion downstream from the downstream transportation path of the staging tray (122) such that the a support media will be provided to the guide (124) and combined with media from the lamination tray (126) and the holder (106) at the exit portion of the lamination tray (126).

WO 2006/014841 A3



---

*For two-letter codes and other abbreviations, refer to the "Guidance Notes on Codes and Abbreviations" appearing at the beginning of each regular issue of the PCT Gazette.*

**INTERNATIONAL SEARCH REPORT**

International application No.

PCT/US05/26212

<p><b>A. CLASSIFICATION OF SUBJECT MATTER</b>                  IPC(7) : B32B 37/00, 37/02, 38/00, 38/18                  US CL : 156/538, 539, 556, 557, 559                  According to International Patent Classification (IPC) or to both national classification and IPC</p>																										
<p><b>B. FIELDS SEARCHED</b>                  Minimum documentation searched (classification system followed by classification symbols)                  U.S. : 156/538, 539, 555, 556, 557, 559, 566, 569, 570                  Documentation searched other than minimum documentation to the extent that such documents are included in the fields searched                  Electronic data base consulted during the international search (name of data base and, where practicable, search terms used)</p>																										
<p><b>C. DOCUMENTS CONSIDERED TO BE RELEVANT</b></p> <table border="1"> <thead> <tr> <th>Category *</th> <th>Citation of document, with indication, where appropriate, of the relevant passages</th> <th>Relevant to claim No.</th> </tr> </thead> <tbody> <tr> <td>Y</td> <td>US 6,761,677 B1 (MANICO et al) 13 July 2004 (13.07.2004), abstract, Figures 1-2, column 3, lines 25-67, column 4, lines 1-27.</td> <td>1-28</td> </tr> <tr> <td>Y</td> <td>US 6,517,655 B1 (SPENCER et al) 11 February 2003 (11.02.2003), abstract, Figures 10-11, column 1, lines 36-67, column 2, lines 1-36.</td> <td>1-28</td> </tr> <tr> <td>Y</td> <td>US 5,944,936 A (BEHN) 31 August 1999 (31.08.1999), abstract, Figure 1, column 2, lines 1-65.</td> <td>1-28</td> </tr> <tr> <td>A</td> <td>US 6,174,404 B1 (KLINGER) 16 January 2001 (16.01.2001).</td> <td>1-28</td> </tr> <tr> <td>A</td> <td>US 4,493,743 A (LUNDING) 15 January 1985 (15.01.1985).</td> <td>1-28</td> </tr> <tr> <td>A</td> <td>US 4,505,772 A (RENZ) 19 March 1985 (19.03.1985).</td> <td>1-28</td> </tr> <tr> <td>A</td> <td>US 4,019,943 A (HOLSON) 26 April 1977 (26.04.1977).</td> <td>1-28</td> </tr> </tbody> </table>			Category *	Citation of document, with indication, where appropriate, of the relevant passages	Relevant to claim No.	Y	US 6,761,677 B1 (MANICO et al) 13 July 2004 (13.07.2004), abstract, Figures 1-2, column 3, lines 25-67, column 4, lines 1-27.	1-28	Y	US 6,517,655 B1 (SPENCER et al) 11 February 2003 (11.02.2003), abstract, Figures 10-11, column 1, lines 36-67, column 2, lines 1-36.	1-28	Y	US 5,944,936 A (BEHN) 31 August 1999 (31.08.1999), abstract, Figure 1, column 2, lines 1-65.	1-28	A	US 6,174,404 B1 (KLINGER) 16 January 2001 (16.01.2001).	1-28	A	US 4,493,743 A (LUNDING) 15 January 1985 (15.01.1985).	1-28	A	US 4,505,772 A (RENZ) 19 March 1985 (19.03.1985).	1-28	A	US 4,019,943 A (HOLSON) 26 April 1977 (26.04.1977).	1-28
Category *	Citation of document, with indication, where appropriate, of the relevant passages	Relevant to claim No.																								
Y	US 6,761,677 B1 (MANICO et al) 13 July 2004 (13.07.2004), abstract, Figures 1-2, column 3, lines 25-67, column 4, lines 1-27.	1-28																								
Y	US 6,517,655 B1 (SPENCER et al) 11 February 2003 (11.02.2003), abstract, Figures 10-11, column 1, lines 36-67, column 2, lines 1-36.	1-28																								
Y	US 5,944,936 A (BEHN) 31 August 1999 (31.08.1999), abstract, Figure 1, column 2, lines 1-65.	1-28																								
A	US 6,174,404 B1 (KLINGER) 16 January 2001 (16.01.2001).	1-28																								
A	US 4,493,743 A (LUNDING) 15 January 1985 (15.01.1985).	1-28																								
A	US 4,505,772 A (RENZ) 19 March 1985 (19.03.1985).	1-28																								
A	US 4,019,943 A (HOLSON) 26 April 1977 (26.04.1977).	1-28																								
<p><input type="checkbox"/> Further documents are listed in the continuation of Box C.      <input type="checkbox"/> See patent family annex.</p>																										
<p>* Special categories of cited documents:</p> <table border="0"> <tr> <td>"A"</td> <td>document defining the general state of the art which is not considered to be of particular relevance</td> <td>"T"</td> <td>later document published after the international filing date or priority date and not in conflict with the application but cited to understand the principle or theory underlying the invention</td> </tr> <tr> <td>"E"</td> <td>earlier application or patent published on or after the international filing date</td> <td>"X"</td> <td>document of particular relevance; the claimed invention cannot be considered novel or cannot be considered to involve an inventive step when the document is taken alone</td> </tr> <tr> <td>"L"</td> <td>document which may throw doubts on priority claim(s) or which is cited to establish the publication date of another citation or other special reason (as specified)</td> <td>"Y"</td> <td>document of particular relevance; the claimed invention cannot be considered to involve an inventive step when the document is combined with one or more other such documents, such combination being obvious to a person skilled in the art</td> </tr> <tr> <td>"O"</td> <td>document referring to an oral disclosure, use, exhibition or other means</td> <td>"&amp;"</td> <td>document member of the same patent family</td> </tr> <tr> <td>"P"</td> <td>document published prior to the international filing date but later than the priority date claimed</td> <td></td> <td></td> </tr> </table>			"A"	document defining the general state of the art which is not considered to be of particular relevance	"T"	later document published after the international filing date or priority date and not in conflict with the application but cited to understand the principle or theory underlying the invention	"E"	earlier application or patent published on or after the international filing date	"X"	document of particular relevance; the claimed invention cannot be considered novel or cannot be considered to involve an inventive step when the document is taken alone	"L"	document which may throw doubts on priority claim(s) or which is cited to establish the publication date of another citation or other special reason (as specified)	"Y"	document of particular relevance; the claimed invention cannot be considered to involve an inventive step when the document is combined with one or more other such documents, such combination being obvious to a person skilled in the art	"O"	document referring to an oral disclosure, use, exhibition or other means	"&"	document member of the same patent family	"P"	document published prior to the international filing date but later than the priority date claimed						
"A"	document defining the general state of the art which is not considered to be of particular relevance	"T"	later document published after the international filing date or priority date and not in conflict with the application but cited to understand the principle or theory underlying the invention																							
"E"	earlier application or patent published on or after the international filing date	"X"	document of particular relevance; the claimed invention cannot be considered novel or cannot be considered to involve an inventive step when the document is taken alone																							
"L"	document which may throw doubts on priority claim(s) or which is cited to establish the publication date of another citation or other special reason (as specified)	"Y"	document of particular relevance; the claimed invention cannot be considered to involve an inventive step when the document is combined with one or more other such documents, such combination being obvious to a person skilled in the art																							
"O"	document referring to an oral disclosure, use, exhibition or other means	"&"	document member of the same patent family																							
"P"	document published prior to the international filing date but later than the priority date claimed																									
<p>Date of the actual completion of the international search                  13 January 2006 (13.01.2006)</p>		<p>Date of mailing of the international search report                  31 JAN 2006</p>																								
<p>Name and mailing address of the ISA/US                  Mail Stop PCT, Attn: ISA/US                  Commissioner for Patents                  P.O. Box 1450                  Alexandria, Virginia 22313-1450                  Facsimile No. (571) 273-3201</p>		<p>Authorized officer                  Sue A. Purvis                  Telephone No. (571)272-700</p> 