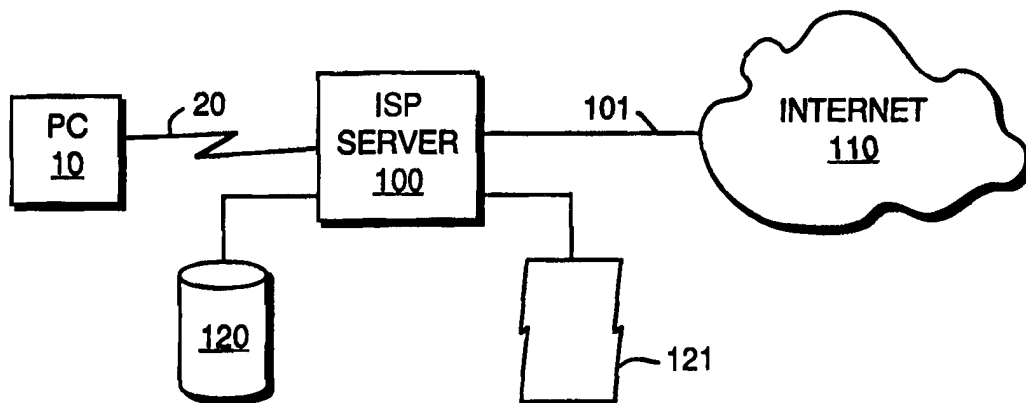




INTERNATIONAL APPLICATION PUBLISHED UNDER THE PATENT COOPERATION TREATY (PCT)

<p>(51) International Patent Classification ⁶ : H04L 9/00</p>	<p>A3</p>	<p>(11) International Publication Number: WO 98/41913 (43) International Publication Date: 24 September 1998 (24.09.98)</p>
<p>(21) International Application Number: PCT/US98/05316 (22) International Filing Date: 18 March 1998 (18.03.98) (30) Priority Data: 08/820,955 19 March 1997 (19.03.97) US (71) Applicant (for all designated States except US): BASCOM GLOBAL INTERNET SERVICES, INC. [US/US]; 855-L Conklin Street, Farmingdale, NY 11735 (US). (72) Inventors; and (75) Inventors/Applicants (for US only): CIRASOLE, Peter [-/US]; 452 Village Oaks Lane, Babylon, NY 11702 (US). DEROSA, Robert [-/US]; 311 Devon Lane, Smithtown, NY 11787 (US). FOX, Robert [-/US]; 110 Coalpit Hill Road C6, Danbury, CT 06810 (US). (74) Agent: SOMMER, Evelyn, M.; Skadden, Arps, Slate, Meagher & Flom LLP, 919 Third Avenue, New York, NY 10022-3897 (US).</p>	<p>(81) Designated States: AL, AM, AT, AU, AZ, BA, BB, BG, BR, BY, CA, CH, CN, CU, CZ, DE, DK, EE, ES, FI, GB, GE, HU, IL, IS, JP, KE, KG, KP, KR, KZ, LC, LK, LR, LS, LT, LU, LV, MD, MG, MK, MN, MW, MX, NO, NZ, PL, PT, RO, RU, SD, SE, SG, SI, SK, TJ, TM, TR, TT, UA, UG, US, UZ, VN, ARIPO patent (GH, GM, KE, LS, MW, SD, SZ, UG, ZW), Eurasian patent (AM, AZ, BY, KG, KZ, MD, RU, TJ, TM), European patent (AT, BE, CH, DE, DK, ES, FI, FR, GB, GR, IE, IT, LU, MC, NL, PT, SE), OAPI patent (BF, BJ, CF, CG, CI, CM, GA, GN, ML, MR, NE, SN, TD, TG).</p> <p>Published <i>With international search report. Before the expiration of the time limit for amending the claims and to be republished in the event of the receipt of amendments.</i></p> <p>(88) Date of publication of the international search report: 17 December 1998 (17.12.98)</p>	

(54) Title: METHOD AND SYSTEM FOR CONTENT FILTERING INFORMATION RETRIEVED FROM AN INTERNET COMPUTER NETWORK



(57) Abstract

A method and system for filtering Internet content retrieved from an Internet computer network (110) by a remote Internet Service Provider ("ISP") server (100) and forwarded to a local client computer (10). The method and system matches at least one filtering scheme (121), such as an inclusive or exclusive filter, and at least one set of filtering elements (120), such as a list of allowed or excluded sites, to each Internet access request generated at the local client computer (10). The filtering scheme is implemented on the ISP server (100).

FOR THE PURPOSES OF INFORMATION ONLY

Codes used to identify States party to the PCT on the front pages of pamphlets publishing international applications under the PCT.

AL	Albania	ES	Spain	LS	Lesotho	SI	Slovenia
AM	Armenia	FI	Finland	LT	Lithuania	SK	Slovakia
AT	Austria	FR	France	LU	Luxembourg	SN	Senegal
AU	Australia	GA	Gabon	LV	Latvia	SZ	Swaziland
AZ	Azerbaijan	GB	United Kingdom	MC	Monaco	TD	Chad
BA	Bosnia and Herzegovina	GE	Georgia	MD	Republic of Moldova	TG	Togo
BB	Barbados	GH	Ghana	MG	Madagascar	TJ	Tajikistan
BE	Belgium	GN	Guinea	MK	The former Yugoslav Republic of Macedonia	TM	Turkmenistan
BF	Burkina Faso	GR	Greece	ML	Mali	TR	Turkey
BG	Bulgaria	HU	Hungary	MN	Mongolia	TT	Trinidad and Tobago
BJ	Benin	IE	Ireland	MR	Mauritania	UA	Ukraine
BR	Brazil	IL	Israel	MW	Malawi	UG	Uganda
BY	Belarus	IS	Iceland	MX	Mexico	US	United States of America
CA	Canada	IT	Italy	NE	Niger	UZ	Uzbekistan
CF	Central African Republic	JP	Japan	NL	Netherlands	VN	Viet Nam
CG	Congo	KE	Kenya	NO	Norway	YU	Yugoslavia
CH	Switzerland	KG	Kyrgyzstan	NZ	New Zealand	ZW	Zimbabwe
CI	Côte d'Ivoire	KP	Democratic People's Republic of Korea	PL	Poland		
CM	Cameroon	KR	Republic of Korea	PT	Portugal		
CN	China	KZ	Kazakstan	RO	Romania		
CU	Cuba	LC	Saint Lucia	RU	Russian Federation		
CZ	Czech Republic	LI	Licchtenstein	SD	Sudan		
DE	Germany	LK	Sri Lanka	SE	Sweden		
DK	Denmark	LR	Liberia	SG	Singapore		
EE	Estonia						

INTERNATIONAL SEARCH REPORT

International application No.
PCT/US98/05316

A. CLASSIFICATION OF SUBJECT MATTER

IPC(6) : HO4L 9/00
US CL : 395/186

According to International Patent Classification (IPC) or to both national classification and IPC

B. FIELDS SEARCHED

Minimum documentation searched (classification system followed by classification symbols)

U.S. : 395/186, 187.01, 188.01, 200.59, 200.33, 200.49, 200.58

Documentation searched other than minimum documentation to the extent that such documents are included in the fields searched

Electronic data base consulted during the international search (name of data base and, where practicable, search terms used)

MAYA, APS
Search terms: content filter, Internet Service provider, blacklist

C. DOCUMENTS CONSIDERED TO BE RELEVANT

Category*	Citation of document, with indication, where appropriate, of the relevant passages	Relevant to claim No.
Y	SurfWatch ProServer from Spyglass. (Visited October 7, 1996), < http://www.spyllass.com/products/proserver > . Pages 1-3.	1-8, 12, 14 and 18-25
Y	Trove Investment Corporation. Net Nanny Product Page (visited October 7, 1996) < http://www.netnanny.com/netnanny/product.html > . Pages 1-4.	1-8, 12, 14 and 18-25
Y. P	US 5,706,507 A (SCHLOSS) 6 June 1998, Abstract, Figures 2, 3, 6 and 13, col. 1-2 and col. 12-14.	1-8, 12, 14 and 18-25

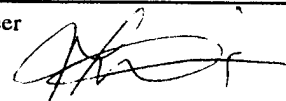
Further documents are listed in the continuation of Box C. See patent family annex.

* Special categories of cited documents:	*T* later document published after the international filing date or priority date and not in conflict with the application but cited to understand the principle or theory underlying the invention
A document defining the general state of the art which is not considered to be of particular relevance	*X* document of particular relevance; the claimed invention cannot be considered novel or cannot be considered to involve an inventive step when the document is taken alone
E earlier document published on or after the international filing date	*Y* document of particular relevance; the claimed invention cannot be considered to involve an inventive step when the document is combined with one or more other such documents, such combination being obvious to a person skilled in the art
L document which may throw doubts on priority claim(s) or which is cited to establish the publication date of another citation or other special reason (as specified)	*G* document member of the same patent family
O document referring to an oral disclosure, use, exhibition or other means	
P document published prior to the international filing date but later than the priority date claimed	

Date of the actual completion of the international search
14 SEPTEMBER 1998

Date of mailing of the international search report
22 OCT 1998

Name and mailing address of the ISA/US
Commissioner of Patents and Trademarks
Box PCT
Washington, D.C. 20231
Facsimile No. (703) 305-3230

Authorized officer
Ly V. Hua 
Telephone No. (703) 305-9684