

(19) World Intellectual Property Organization  
International Bureau



(43) International Publication Date  
29 January 2009 (29.01.2009)

(10) International Publication Number  
**WO 2009/013758 A3**

(51) International Patent Classification:  
A61B 17/03 (2006.01)

(21) International Application Number:  
PCT/IL2008/001038

(22) International Filing Date:  
27 July 2008 (27.07.2008)

(25) Filing Language: English

(26) Publication Language: English

(30) Priority Data:  
60/951,960 26 July 2007 (26.07.2007) US

(71) Applicant (for all designated States except US): AES-  
THETICS POINT LTD. [IL/IL]; P.O. Box 7284, Hi-  
Tech Park, Ashkelon (IL).

(72) Inventors; and

(75) Inventors/Applicants (for US only): BEN RUBI, Yaniv  
[IL/IL]; P.O. Box 7284, Hi-Tech Park, Ashkelon (IL).  
KATS, Li-Hai [IL/IL]; 4 Golda Meir St., 34982 Haifa  
(IL). SHABAT, Roni [IL/IL]; Kibutz Yizrael (IL).

(74) Agent: DR EYAL BRESSLER LTD; 11 Tuval St,  
52522 Ramat Gan (IL).

(81) Designated States (unless otherwise indicated, for every  
kind of national protection available): AE, AG, AL, AM,  
AO, AT, AU, AZ, BA, BB, BG, BH, BR, BW, BY, BZ,

CA, CH, CN, CO, CR, CU, CZ, DE, DK, DM, DO, DZ,  
EC, EE, EG, ES, FI, GB, GD, GE, GH, GM, GT, HN,  
HR, HU, ID, IL, IN, IS, JP, KE, KG, KM, KN, KP, KR,  
KZ, LA, LC, LK, LR, LS, LT, LU, LY, MA, MD, ME,  
MG, MK, MN, MW, MX, MY, MZ, NA, NG, NI, NO,  
NZ, OM, PG, PH, PL, PT, RO, RS, RU, SC, SD, SE, SG,  
SK, SL, SM, ST, SV, SY, TJ, TM, TN, TR, TT, TZ, UA,  
UG, US, UZ, VC, VN, ZA, ZM, ZW.

(84) Designated States (unless otherwise indicated, for every  
kind of regional protection available): ARIPO (BW, GH,  
GM, KE, LS, MW, MZ, NA, SD, SL, SZ, TZ, UG, ZM,  
ZW), Eurasian (AM, AZ, BY, KG, KZ, MD, RU, TJ,  
TM), European (AT, BE, BG, CH, CY, CZ, DE, DK, EE,  
ES, FI, FR, GB, GR, HR, HU, IE, IS, IT, LT, LU, LV,  
MC, MT, NL, NO, PL, PT, RO, SE, SI, SK, TR), OAPI  
(BF, BJ, CF, CG, CI, CM, GA, GN, GQ, GW, ML, MR,  
NE, SN, TD, TG).

Declarations under Rule 4.17:

— as to applicant's entitlement to apply for and be granted  
a patent (Rule 4.17(ii))

Published:

— with international search report (Art. 21(3))

(88) Date of publication of the international search report:  
4 March 2010

(54) Title: AN IMPLANTED MEDICAL DEVICE ESPECIALLY USED IN COSMETIC SURGERY

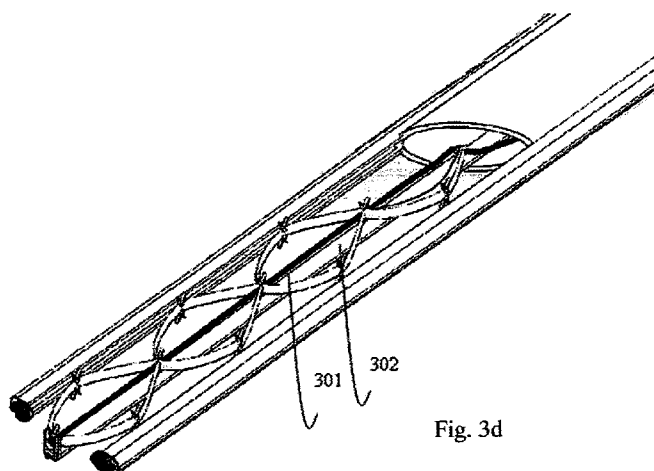


Fig. 3d

(57) Abstract: The present invention provides an implantable medical device adapted for use in surgical operations, said device being implantable in a predetermined body portion to be treated; said predetermined body portion is characterized by a first extremity and by a second extremity, wherein said device comprises (a) at least one element having a body, a distal end, and a proximal end; said body being characterized by (i) at least one inactivated position; and, (ii) a plurality of activated positions; (b) at least one anchoring means coupled to said distal end of said element, adapted to anchor said distal end to said first extremity in said predetermined body portion; and, (c) at least one anchoring means coupled to said proximal end of said element, adapted to anchor said proximal end to said second extremity in said predetermined body portion; said element is at least partially reconfigurable from said activated position to said inactivated position and/or from said plurality of inactivated positions to said plurality of activated positions such that the distance between said first extremity and said second extremity is alterable.



WO 2009/013758 A3

## INTERNATIONAL SEARCH REPORT

International application No.

PCT/IL2008/001038

<b>A. CLASSIFICATION OF SUBJECT MATTER</b> IPC(8) - A61B 17/03 (2008.04) USPC - 606/215 According to International Patent Classification (IPC) or to both national classification and IPC																			
<b>B. FIELDS SEARCHED</b> Minimum documentation searched (classification system followed by classification symbols) IPC(8) - A61F 2/02; A61B 17/00, 17/03-17/04, 17/064, 17/08, 17/56, 17/58, 17/66, 17/68, 17/82 (2008.04) USPC - 606/60, 71, 74, 103, 151, 215-216, 228, 230, 323, 328, 331, 908, 916; 623/23.72 Documentation searched other than minimum documentation to the extent that such documents are included in the fields searched Electronic data base consulted during the international search (name of data base and, where practicable, search terms used) MicroPatent																			
<b>C. DOCUMENTS CONSIDERED TO BE RELEVANT</b>																			
<table border="1"> <thead> <tr> <th>Category*</th> <th>Citation of document, with indication, where appropriate, of the relevant passages</th> <th>Relevant to claim No.</th> </tr> </thead> <tbody> <tr> <td>X — Y</td> <td>US 2005/0119694 A1 (JACOBS et al) 02 June 2005 (02.06.2005) entire document</td> <td>1-7, 11-22, 25-53 ----- 8-10, 23-24, 59, 61, 64-67, 72-77, 83, 85</td> </tr> <tr> <td>X — Y</td> <td>US 5,584,859 A (BROTZ) 17 December 1996 (17.12.1996) entire document</td> <td>54-55, 58, 60, 62, 78-79, 82, 84, 86 ----- 56-57, 59, 61, 63-71, 80-81, 83, 85</td> </tr> <tr> <td>Y</td> <td>US 2006/0058891 A1 (LESH) 16 March 2006 (16.03.2006) entire document</td> <td>8-10, 23-24, 56-57, 63, 80-81</td> </tr> <tr> <td>Y</td> <td>US 6,358,270 B1 (LEMER) 19 March 2002 (19.03.2002) entire document</td> <td>68-71</td> </tr> <tr> <td>Y</td> <td>US 5,885,290 A (GUERRERO et al) 23 March 1999 (23.03.1999) entire document</td> <td>72-77</td> </tr> </tbody> </table>	Category*	Citation of document, with indication, where appropriate, of the relevant passages	Relevant to claim No.	X — Y	US 2005/0119694 A1 (JACOBS et al) 02 June 2005 (02.06.2005) entire document	1-7, 11-22, 25-53 ----- 8-10, 23-24, 59, 61, 64-67, 72-77, 83, 85	X — Y	US 5,584,859 A (BROTZ) 17 December 1996 (17.12.1996) entire document	54-55, 58, 60, 62, 78-79, 82, 84, 86 ----- 56-57, 59, 61, 63-71, 80-81, 83, 85	Y	US 2006/0058891 A1 (LESH) 16 March 2006 (16.03.2006) entire document	8-10, 23-24, 56-57, 63, 80-81	Y	US 6,358,270 B1 (LEMER) 19 March 2002 (19.03.2002) entire document	68-71	Y	US 5,885,290 A (GUERRERO et al) 23 March 1999 (23.03.1999) entire document	72-77	<input type="checkbox"/> Further documents are listed in the continuation of Box C. <input type="checkbox"/>
Category*	Citation of document, with indication, where appropriate, of the relevant passages	Relevant to claim No.																	
X — Y	US 2005/0119694 A1 (JACOBS et al) 02 June 2005 (02.06.2005) entire document	1-7, 11-22, 25-53 ----- 8-10, 23-24, 59, 61, 64-67, 72-77, 83, 85																	
X — Y	US 5,584,859 A (BROTZ) 17 December 1996 (17.12.1996) entire document	54-55, 58, 60, 62, 78-79, 82, 84, 86 ----- 56-57, 59, 61, 63-71, 80-81, 83, 85																	
Y	US 2006/0058891 A1 (LESH) 16 March 2006 (16.03.2006) entire document	8-10, 23-24, 56-57, 63, 80-81																	
Y	US 6,358,270 B1 (LEMER) 19 March 2002 (19.03.2002) entire document	68-71																	
Y	US 5,885,290 A (GUERRERO et al) 23 March 1999 (23.03.1999) entire document	72-77																	
<table border="1"> <tbody> <tr> <td>* Special categories of cited documents:</td> <td>"T" later document published after the international filing date or priority date and not in conflict with the application but cited to understand the principle or theory underlying the invention</td> </tr> <tr> <td>"A" document defining the general state of the art which is not considered to be of particular relevance</td> <td>"X" document of particular relevance; the claimed invention cannot be considered novel or cannot be considered to involve an inventive step when the document is taken alone</td> </tr> <tr> <td>"E" earlier application or patent but published on or after the international filing date</td> <td>"Y" document of particular relevance; the claimed invention cannot be considered to involve an inventive step when the document is combined with one or more other such documents, such combination being obvious to a person skilled in the art</td> </tr> <tr> <td>"L" document which may throw doubts on priority claim(s) or which is cited to establish the publication date of another citation or other special reason (as specified)</td> <td>"&amp;" document member of the same patent family</td> </tr> <tr> <td>"O" document referring to an oral disclosure, use, exhibition or other means</td> <td></td> </tr> <tr> <td>"P" document published prior to the international filing date but later than the priority date claimed</td> <td></td> </tr> </tbody> </table>		* Special categories of cited documents:	"T" later document published after the international filing date or priority date and not in conflict with the application but cited to understand the principle or theory underlying the invention	"A" document defining the general state of the art which is not considered to be of particular relevance	"X" document of particular relevance; the claimed invention cannot be considered novel or cannot be considered to involve an inventive step when the document is taken alone	"E" earlier application or patent but published on or after the international filing date	"Y" document of particular relevance; the claimed invention cannot be considered to involve an inventive step when the document is combined with one or more other such documents, such combination being obvious to a person skilled in the art	"L" document which may throw doubts on priority claim(s) or which is cited to establish the publication date of another citation or other special reason (as specified)	"&" document member of the same patent family	"O" document referring to an oral disclosure, use, exhibition or other means		"P" document published prior to the international filing date but later than the priority date claimed							
* Special categories of cited documents:	"T" later document published after the international filing date or priority date and not in conflict with the application but cited to understand the principle or theory underlying the invention																		
"A" document defining the general state of the art which is not considered to be of particular relevance	"X" document of particular relevance; the claimed invention cannot be considered novel or cannot be considered to involve an inventive step when the document is taken alone																		
"E" earlier application or patent but published on or after the international filing date	"Y" document of particular relevance; the claimed invention cannot be considered to involve an inventive step when the document is combined with one or more other such documents, such combination being obvious to a person skilled in the art																		
"L" document which may throw doubts on priority claim(s) or which is cited to establish the publication date of another citation or other special reason (as specified)	"&" document member of the same patent family																		
"O" document referring to an oral disclosure, use, exhibition or other means																			
"P" document published prior to the international filing date but later than the priority date claimed																			
Date of the actual completion of the international search 07 January 2009	Date of mailing of the international search report <b>15 JAN 2009</b>																		
Name and mailing address of the ISA/US Mail Stop PCT, Attn: ISA/US, Commissioner for Patents P.O. Box 1450, Alexandria, Virginia 22313-1450 Facsimile No. 571-273-3201	Authorized officer: Blaine R. Copenheaver PCT Helpdesk: 571-272-4300 PCT OSP: 571-272-7774																		