



US00D855154S

(12) **United States Design Patent**  
**Williams et al.**

(10) **Patent No.:** **US D855,154 S**  
(45) **Date of Patent:** **\*\* Jul. 30, 2019**

(54) **FAUCET**  
(71) Applicant: **AS America, Inc.**, Piscataway, NJ (US)  
(72) Inventors: **Emilie Williams**, South Plainfield, NJ (US); **Greg Reinecker**, Brooklyn, NY (US); **Jean-Jacques L'Henaff**, New Canaan, CT (US)  
(73) Assignee: **AS America, Inc.**, Piscataway, NJ (US)  
(\*\*) Term: **15 Years**  
(21) Appl. No.: **29/626,824**

D778,408 S \* 2/2017 Rexach ..... D23/250  
D795,395 S \* 8/2017 Kington ..... D23/250  
D828,511 S \* 9/2018 Liu ..... D23/238  
D828,518 S \* 9/2018 Boal ..... D23/254

**OTHER PUBLICATIONS**

Notice of Allowance dated Nov. 16, 2018, directed to MX Application No. MX/12018/001246; 5 pages.  
Notice of Allowance dated Nov. 16, 2018, directed to MX Application No. MX/12018/001248; 5 pages.  
Notification to Grant Patent Right dated Dec. 27, 2018, directed to CN Application No. 201830230612.9; 5 pages.

\* cited by examiner

*Primary Examiner* — Robert A Delehanty  
(74) *Attorney, Agent, or Firm* — Morrison & Foerster LLP

(22) Filed: **Nov. 20, 2017**  
(51) **LOC (11) Cl.** ..... **23-01**  
(52) **U.S. Cl.**  
USPC ..... **D23/238**  
(58) **Field of Classification Search**  
USPC ..... D23/238–243, 249–250, 252, 254–255, D23/257, 213, 245; D8/300, 312  
CPC ..... Y10T 137/9464; Y10T 137/6064; E03C 1/04; E03C 1/0404; E03C 1/0405; E03C 1/0411; E03C 1/0412; E03C 1/0409; E03C 1/042; E03C 2001/0414  
See application file for complete search history.

(57) **CLAIM**

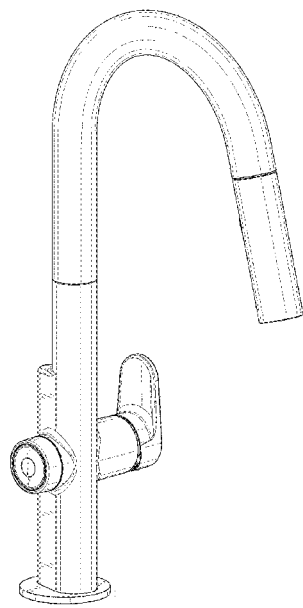
We claim the ornamental design for a faucet, as shown and described.

**DESCRIPTION**

FIG. 1 is a side perspective view of a faucet showing our new design;  
FIG. 2 is a front perspective view thereof;  
FIG. 3 is a front view thereof;  
FIG. 4 is a rear view thereof;  
FIG. 5 is a side view thereof;  
FIG. 6 is a side view of the opposite side of FIG. 5; and,  
FIG. 7 is a top view thereof.

**1 Claim, 6 Drawing Sheets**

(56) **References Cited**  
**U.S. PATENT DOCUMENTS**  
D223,799 S \* 6/1972 Jensen ..... D8/312  
5,758,690 A \* 6/1998 Humpert ..... E03C 1/0404  
137/801  
D479,310 S \* 9/2003 Ziemann ..... D23/238  
D541,384 S \* 4/2007 Citterio ..... D23/249  
D689,595 S \* 9/2013 Georgeson ..... D23/238



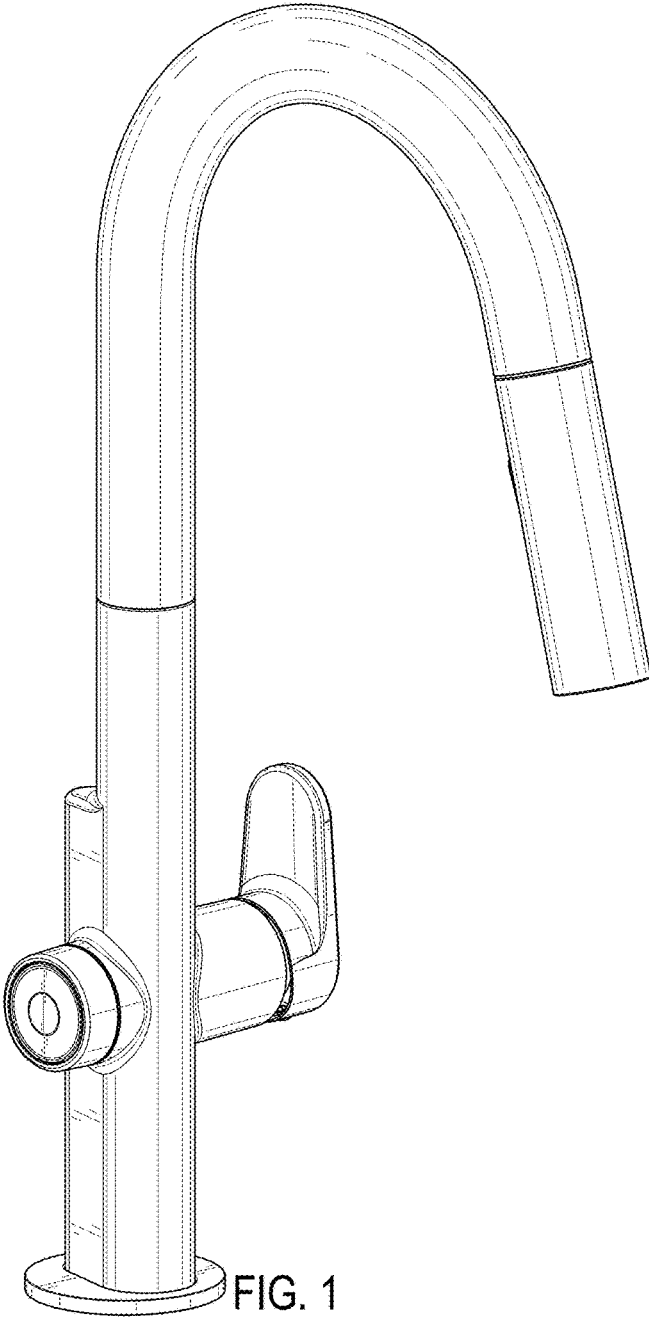
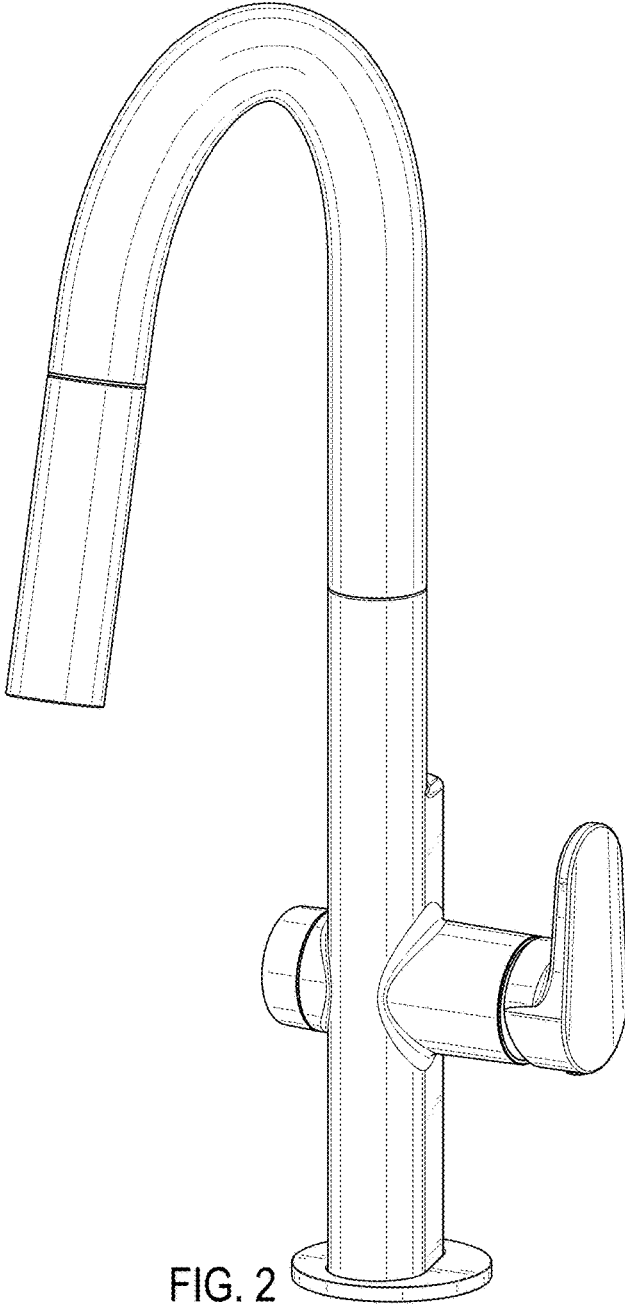
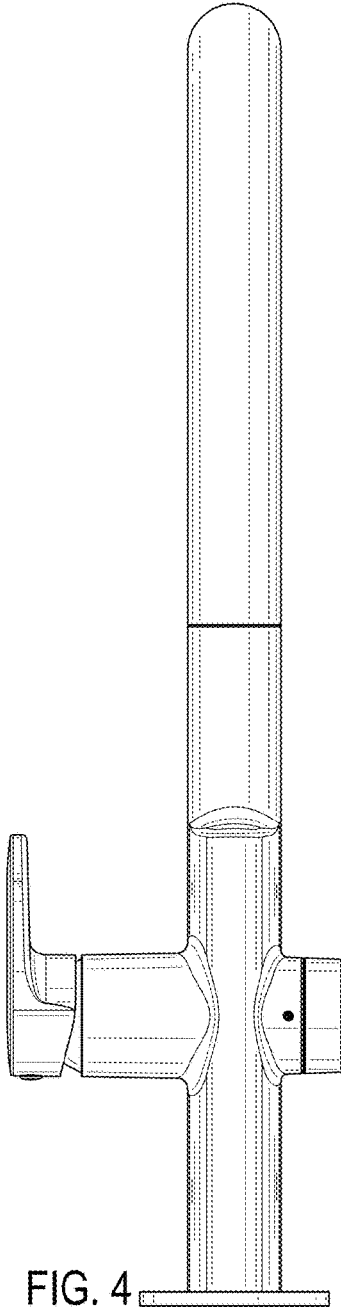
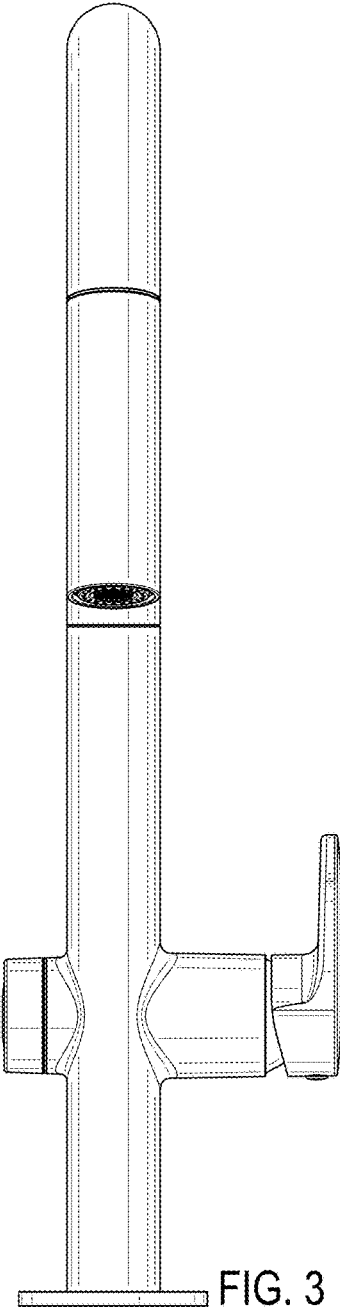


FIG. 1





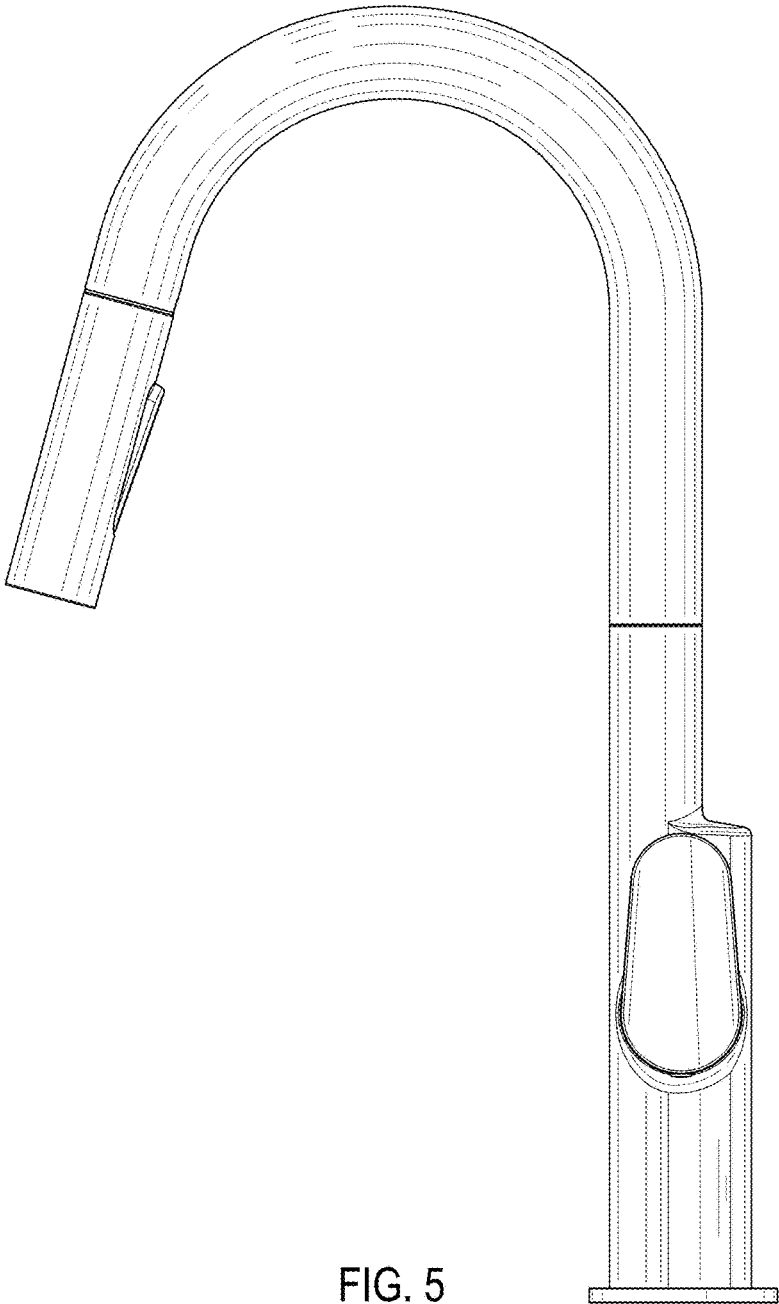


FIG. 5

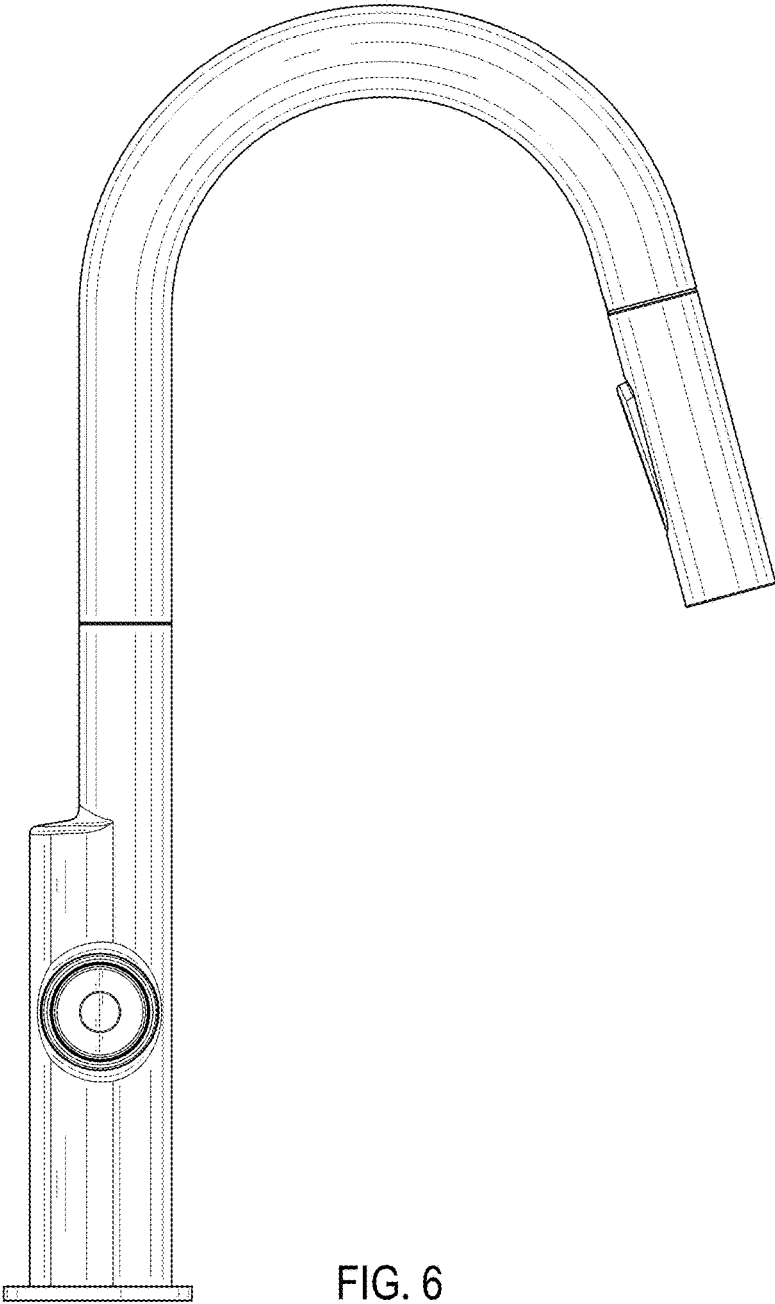


FIG. 6

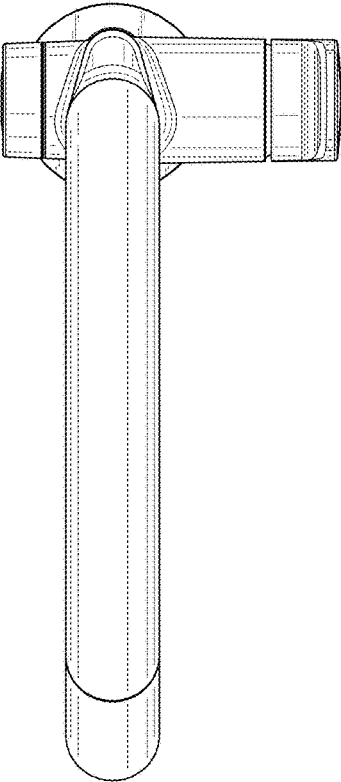


FIG. 7