



US00D511698S

(12) **United States Design Patent** (10) **Patent No.:** **US D511,698 S**
Allemand (45) **Date of Patent:** **** Nov. 22, 2005**

(54) **BUILDER'S MEASURING AND MARKING TOOL**

D495,614 S * 9/2004 Dickinson D10/65

* cited by examiner

(75) Inventor: **James S. Allemand**, Lemont, IL (US)

Primary Examiner—Antoine D. Davis

(73) Assignee: **Swanson Tool Co. Inc.**, Frankfort, IL (US)

(74) *Attorney, Agent, or Firm*—Brinks Hofer Gilson & Lione

(**) Term: **14 Years**

(57) **CLAIM**

(21) Appl. No.: **29/205,074**

The ornamental design for a builder's measuring and marking tool, as shown and described.

(22) Filed: **May 7, 2004**

DESCRIPTION

Related U.S. Application Data

(63) Continuation-in-part of application No. 10/795,045, filed on Mar. 5, 2004, now Pat. No. 6,868,616.

FIG. 1 is a perspective view of my new, original and ornamental design for a builder's measuring and marking tool, according to a first embodiment;

(51) **LOC (8) Cl.** **10-04**

FIG. 2 is a front view of the embodiment shown in FIG. 1; FIG. 3 is a top view of the embodiment shown in FIGS. 1-2; FIG. 4 is a bottom view of the embodiment shown in FIGS. 1-3;

(52) **U.S. Cl.** **D10/65**

FIG. 5 is a rear view of the embodiment shown in FIGS. 1-4; FIG. 6 is a left side view of the embodiment shown in FIGS. 1-5;

(58) **Field of Search** D10/62, 65; 33/451, 33/460, 470, 474, 476, 480

FIG. 7 is a right side view of the embodiment shown in FIGS. 1-6;

(56) **References Cited**

U.S. PATENT DOCUMENTS

1,619,427 A	3/1927	McCaffery, Jr.	
4,404,753 A	9/1983	Klok	
4,461,092 A	7/1984	Hore	
4,742,619 A	5/1988	Swanson	
4,773,163 A	9/1988	Wolford, Jr.	
4,926,564 A	5/1990	Loggins	
5,170,568 A	12/1992	Wright	
5,456,015 A	10/1995	Butcher et al.	
D369,981 S	5/1996	Hayes et al.	
5,575,074 A	11/1996	Cottongim et al.	
5,727,325 A	3/1998	Mussell	
D422,225 S	4/2000	DiGangi et al.	
6,230,416 B1	5/2001	Triglio	
D445,700 S *	7/2001	Mapston	D10/62
6,393,710 B1	5/2002	Hastings	
6,622,394 B2	9/2003	Werner et al.	
D488,730 S *	4/2004	Pena	D10/65

FIG. 8 is a perspective view of my new, original and ornamental design for a builder's measuring and marking tool, according to a second embodiment;

FIG. 9 is a front view of the embodiment shown in FIG. 8; FIG. 10 is a top view of the embodiment shown in FIGS. 8-9;

FIG. 11 is a bottom view of the embodiment shown in FIGS. 8-10;

FIG. 12 is a rear view of the embodiment shown in FIGS. 8-11;

FIG. 13 is a left side view of the embodiment shown in FIGS. 8-12; and,

FIG. 14 is a right side view of the embodiment shown in FIGS. 8-13.

1 Claim, 6 Drawing Sheets

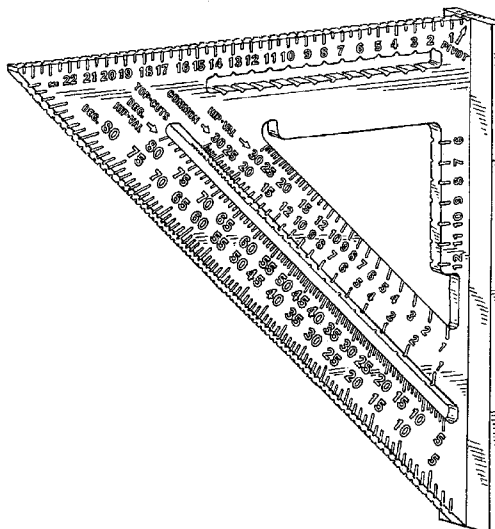
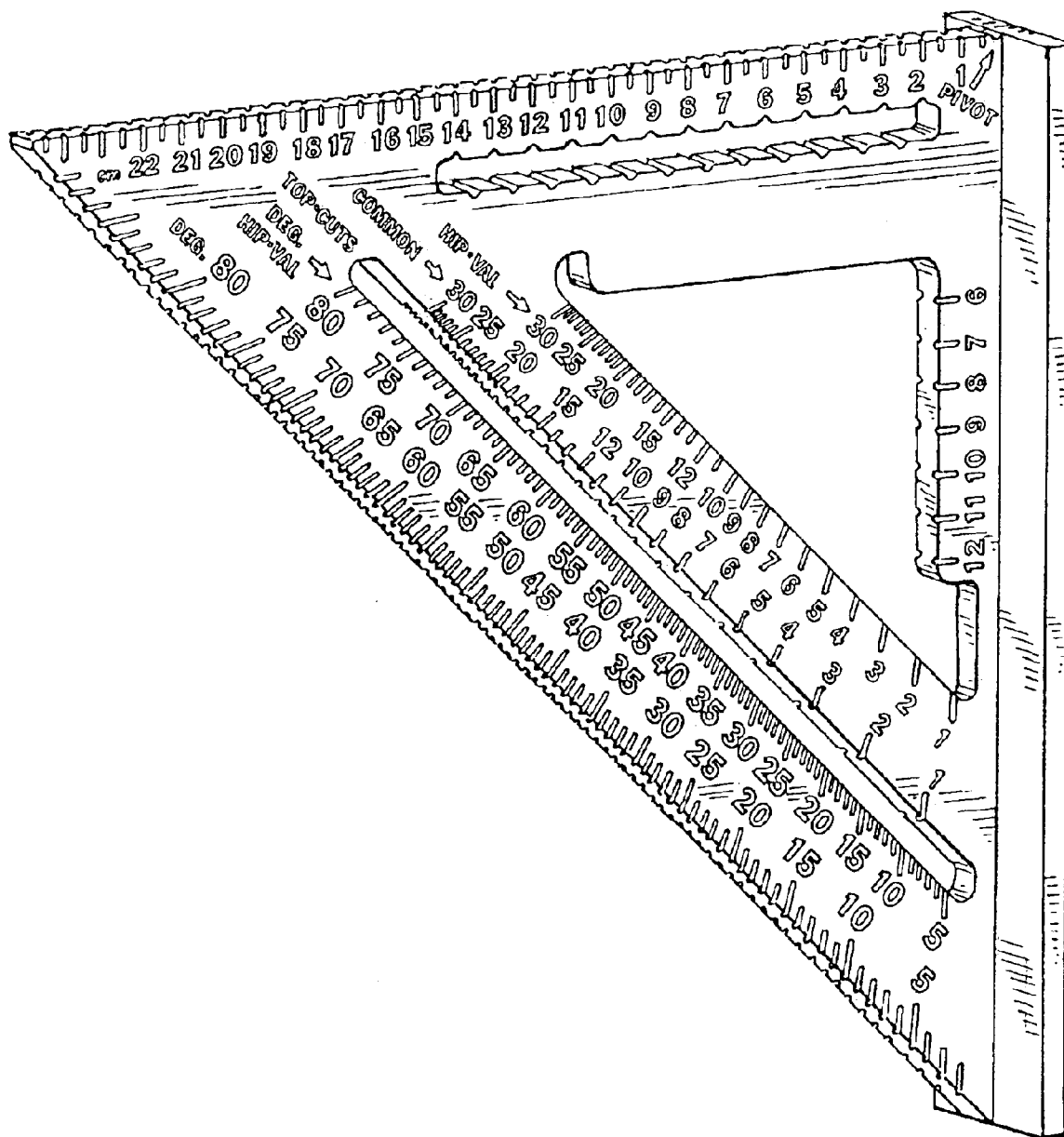


FIG. 1



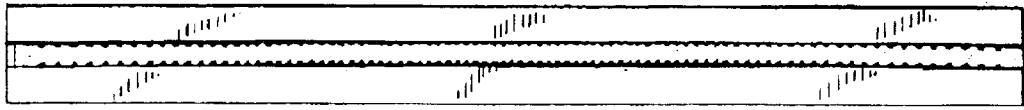


FIG. 7

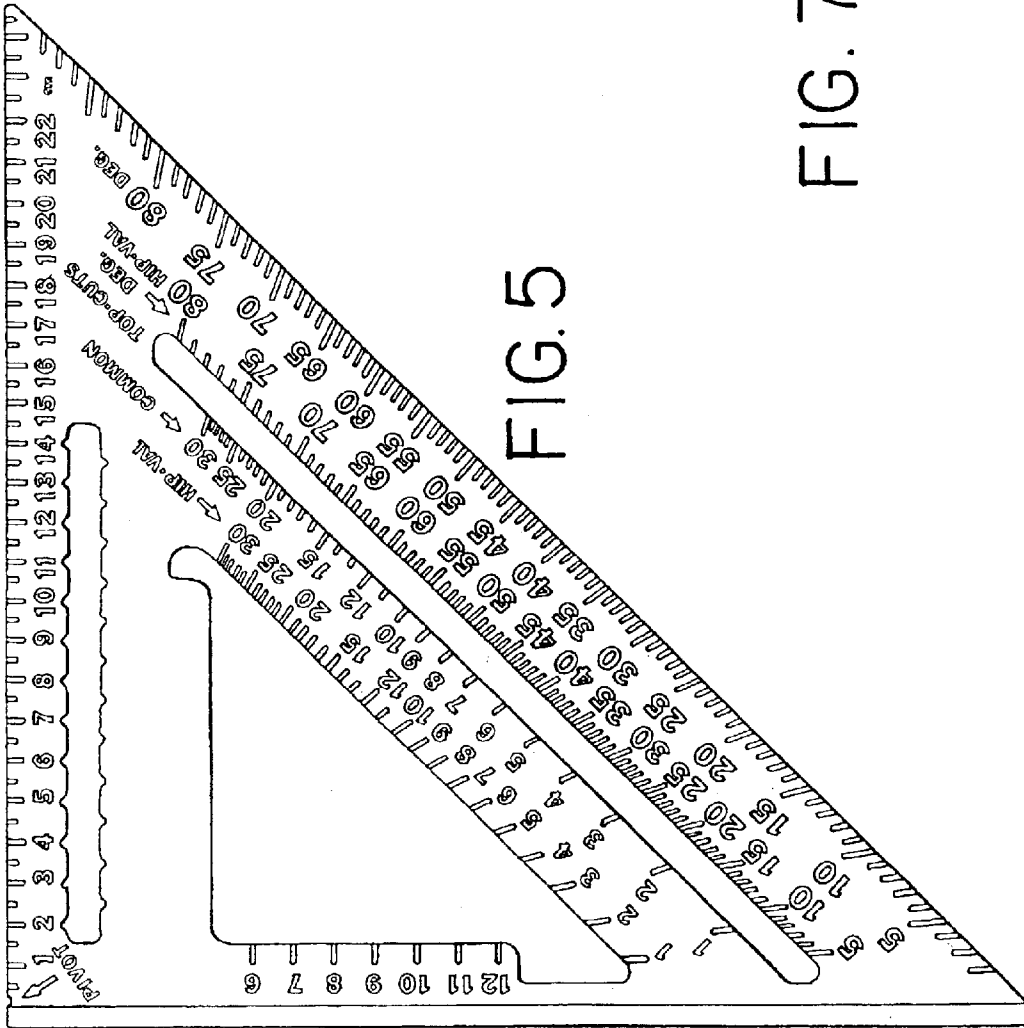


FIG. 5

FIG. 6

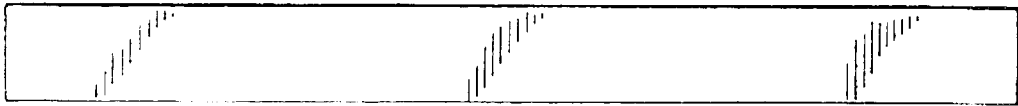


FIG. 8

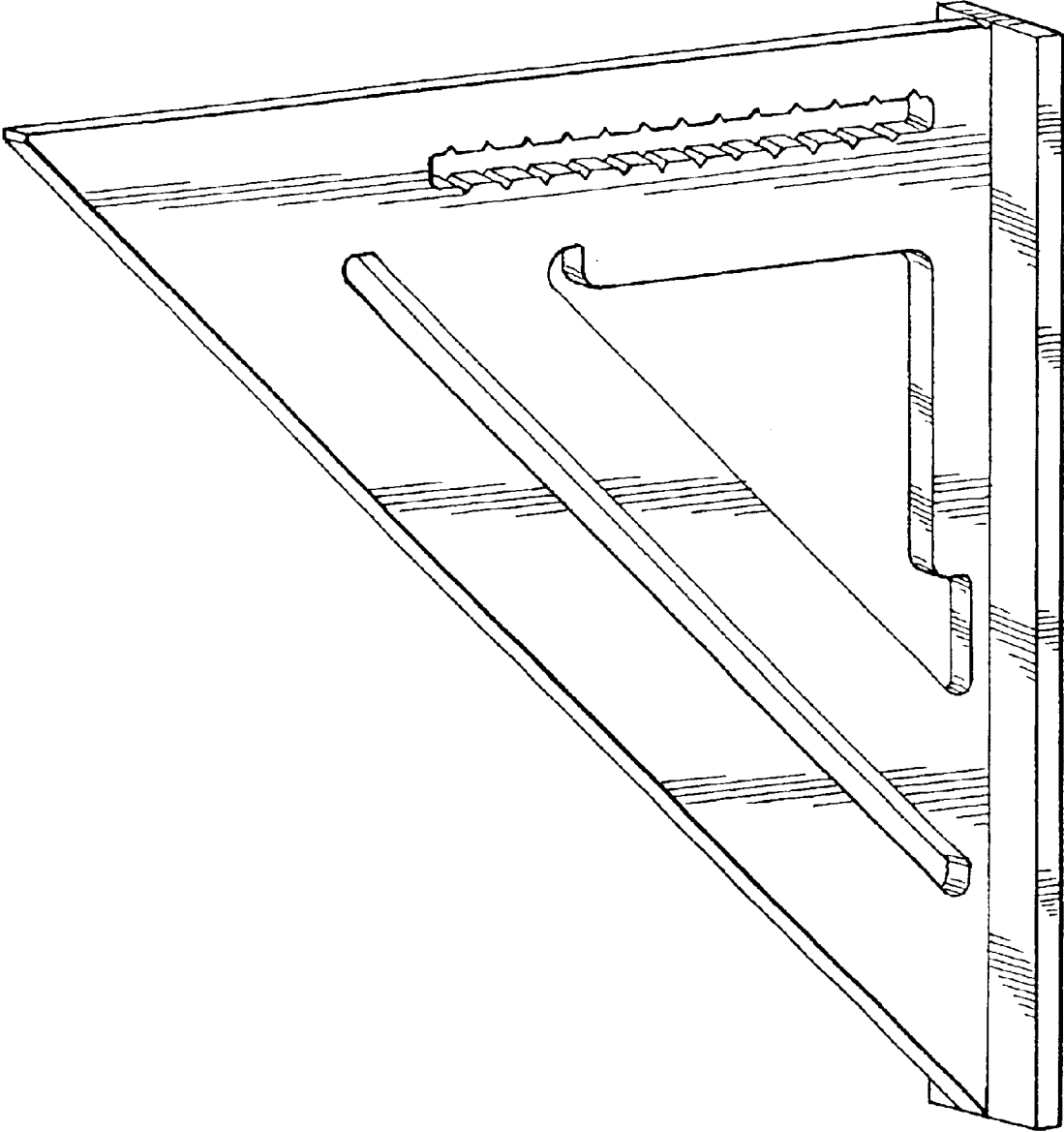


FIG. 9

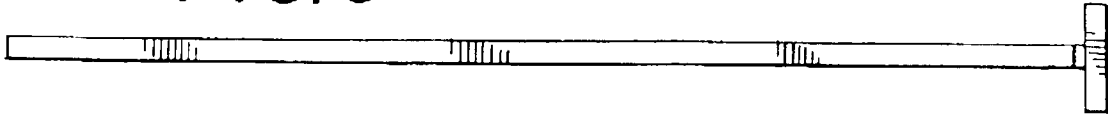


FIG. 10

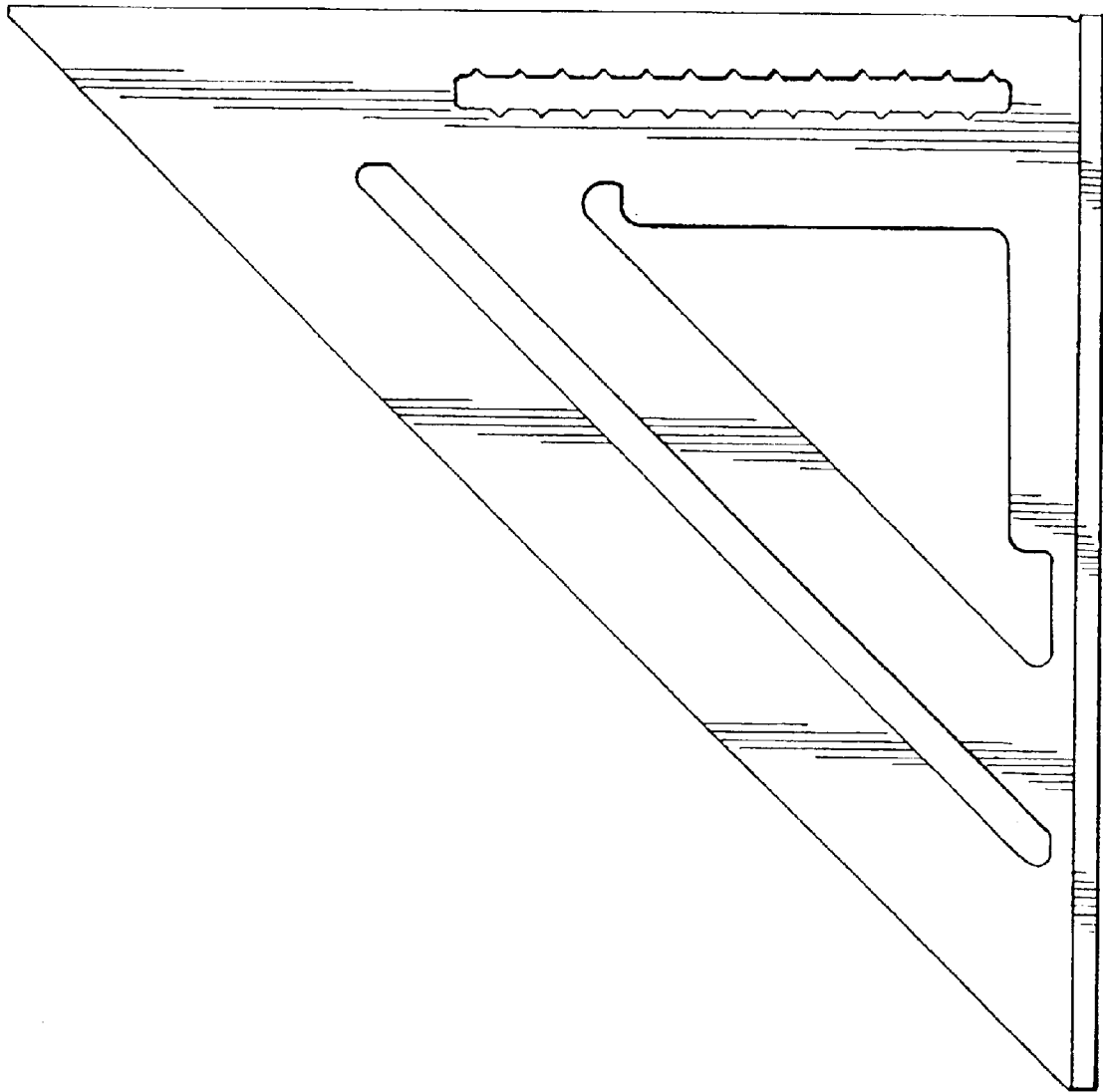


FIG. 11

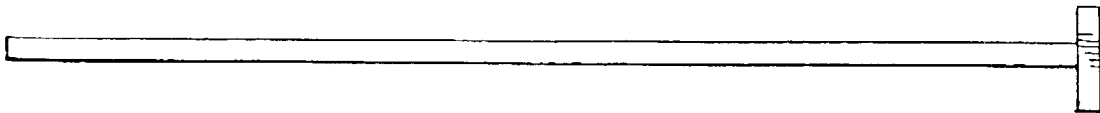




FIG.14

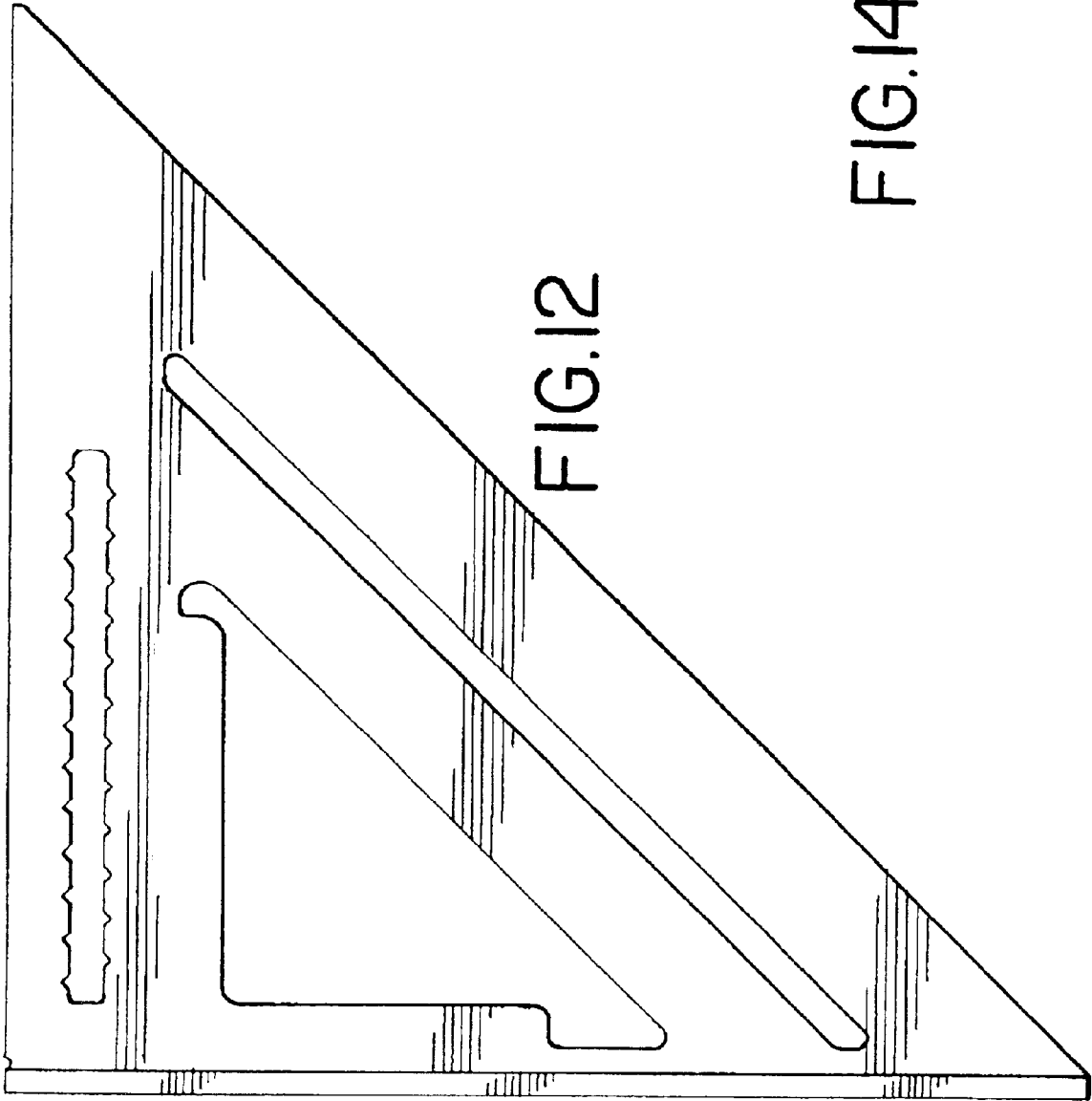


FIG.12

FIG.13

