

(19) World Intellectual Property Organization
International Bureau



(43) International Publication Date
15 February 2007 (15.02.2007)

PCT

(10) International Publication Number
WO 2007/018357 A3

- (51) International Patent Classification:
F24F 1/00 (2006.01) F24F 13/20 (2006.01)
- (21) International Application Number:
PCT/KR2006/002958
- (22) International Filing Date: 27 July 2006 (27.07.2006)
- (25) Filing Language: English
- (26) Publication Language: English
- (30) Priority Data:
10-2005-0073179 10 August 2005 (10.08.2005) KR
10-2005-0085042 13 September 2005 (13.09.2005) KR

(81) Designated States (unless otherwise indicated, for every kind of national protection available): AE, AG, AL, AM, AT, AU, AZ, BA, BB, BG, BR, BW, BY, BZ, CA, CH, CN, CO, CR, CU, CZ, DE, DK, DM, DZ, EC, EE, EG, ES, FI, GB, GD, GE, GH, GM, HN, HR, HU, ID, IL, IN, IS, JP, KE, KG, KM, KN, KP, KZ, LA, LC, LK, LR, LS, LT, LU, LV, LY, MA, MD, MG, MK, MN, MW, MX, MZ, NA, NG, NI, NO, NZ, OM, PG, PH, PL, PT, RO, RS, RU, SC, SD, SE, SG, SK, SL, SM, SY, TJ, TM, TN, TR, TT, TZ, UA, UG, US, UZ, VC, VN, ZA, ZM, ZW.

(84) Designated States (unless otherwise indicated, for every kind of regional protection available): ARIPO (BW, GH, GM, KE, LS, MW, MZ, NA, SD, SL, SZ, TZ, UG, ZM, ZW), Eurasian (AM, AZ, BY, KG, KZ, MD, RU, TJ, TM), European (AT, BE, BG, CH, CY, CZ, DE, DK, EE, ES, FI, FR, GB, GR, HU, IE, IS, IT, LT, LU, LV, MC, NL, PL, PT, RO, SE, SI, SK, TR), OAPI (BF, BJ, CF, CG, CI, CM, GA, GN, GQ, GW, ML, MR, NE, SN, TD, TG).

- (71) Applicant (for all designated States except US): **LG ELECTRONICS INC.** [KR/KR]; 20, Yoido-dong, Youngdungpo-gu, Seoul 150-721 (KR).
- (72) Inventors; and
- (75) Inventors/Applicants (for US only): **CHA, Ju Young** [KR/KR]; 1635-6, Bongcheon 11-dong, Gwanak-gu, Seoul 151-832 (KR). **KIM, Dong Jin** [KR/KR]; 4-402, Jinwoo Apt., Taejang 2-dong, Wonju-si, Gangwon-do 220-122 (KR).
- (74) Agents: **BAHNG, Hae Cheol** et al.; KBK & Associates, 15th Floor Yo Sam Building, 648-23, Yeoksam-dong, Kangnam-gu, Seoul 135-080 (KR).

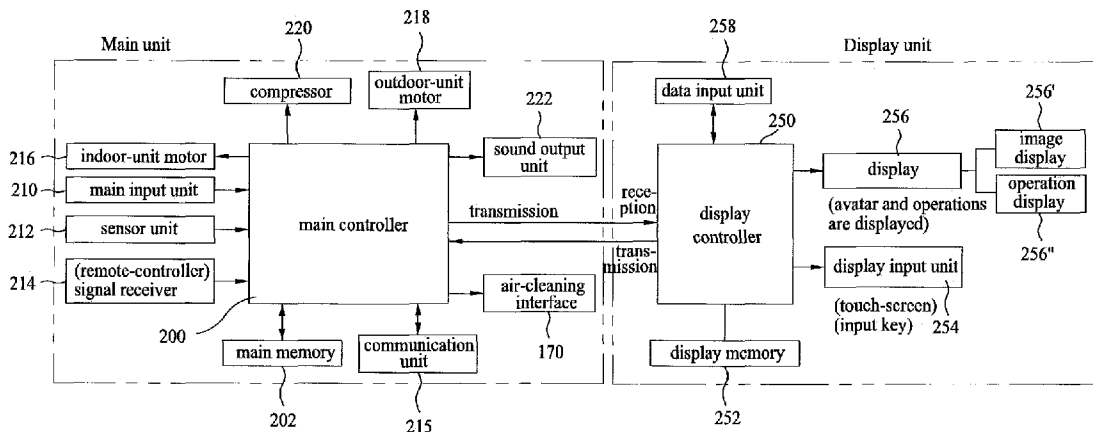
Published:

- with international search report
- before the expiration of the time limit for amending the claims and to be republished in the event of receipt of amendments

(88) Date of publication of the international search report:
3 May 2007

For two-letter codes and other abbreviations, refer to the "Guidance Notes on Codes and Abbreviations" appearing at the beginning of each regular issue of the PCT Gazette.

(54) Title: AIR CONDITIONER



(57) Abstract: An air-conditioner invention includes an electronic album for editing/storing a plurality of photo-images. The photo-images can be displayed/edited on the display. The air-conditioner includes a memory for storing variety of data to be displayed on the display. The data stored in the memory is stored while being classified according to folders, and the stored data is displayed in the form of various shapes. Therefore, the air-conditioner can easily manage variety of data according to data types, such that a user can easily search for desired data in the memory, resulting in greater convenience of the user.

WO 2007/018357 A3

INTERNATIONAL SEARCH REPORT

International application No.
PCT/KR 2006/002958

A. CLASSIFICATION OF SUBJECT MATTER IPC ⁸ : F24F 1/00 (2006.01); F24F 13/20 (2006.01) According to International Patent Classification (IPC) or to both national classification and IPC		
B. FIELDS SEARCHED		
Minimum documentation searched (classification system followed by classification symbols) IPC ⁸ : F 24 F		
Documentation searched other than minimum documentation to the extent that such documents are included in the fields searched		
Electronic data base consulted during the international search (name of data base and, where practicable, search terms used) WPI; EpoDoc		
C. DOCUMENTS CONSIDERED TO BE RELEVANT		
Category*	Citation of document, with indication, where appropriate, of the relevant passages	Relevant to claim No.
X	EP 1533576 A2; (LG ELECTRONICS); 25 May 2005 (25.05.2005) <i>whole document</i>	1-16
	--	
X	WO 2003/014628 A2; (LG ELECTRONICS); 20 February 2003 (20.02.2003) <i>whole document</i>	1-16
	--	
X	JP 04174245 A; (MITSUBISHI DENKI); 22 June 1992 (22.06.1992) <i>abstract</i>	8-16
A		1-7
	--	
<input checked="" type="checkbox"/> Further documents are listed in the continuation of Box C. <input checked="" type="checkbox"/> See patent family annex.		
* Special categories of cited documents: "A" document defining the general state of the art which is not considered to be of particular relevance "E" earlier application or patent but published on or after the international filing date "L" document which may throw doubts on priority claim(s) or which is cited to establish the publication date of another citation or other special reason (as specified) "O" document referring to an oral disclosure, use, exhibition or other means "P" document published prior to the international filing date but later than the priority date claimed "T" later document published after the international filing date or priority date and not in conflict with the application but cited to understand the principle or theory underlying the invention "X" document of particular relevance; the claimed invention cannot be considered novel or cannot be considered to involve an inventive step when the document is taken alone "Y" document of particular relevance; the claimed invention cannot be considered to involve an inventive step when the document is combined with one or more other such documents, such combination being obvious to a person skilled in the art "&" document member of the same patent family		
Date of the actual completion of the international search 26 January 2007 (26.01.2007)		Date of mailing of the international search report 8 March 2007 (08.03.2007)
Name and mailing address of the ISA/ AT Austrian Patent Office Dresdner Straße 87, A-1200 Vienna Facsimile No. +43 / 1 / 534 24 / 535		Authorized officer LOSENICKY G. Telephone No. +43 / 1 / 534 24 / 372

INTERNATIONAL SEARCH REPORT

International application No.
PCT/KR 2006/002958

C (Continuation). DOCUMENTS CONSIDERED TO BE RELEVANT		
Category*	Citation of document, with indication, where appropriate, of the relevant passages	Relevant to claim No.
A	US 2002/0029096 A1; (TAKAI); 7 March 2002 (07.03.2002) <i>paragraph 028</i> -----	7

INTERNATIONAL SEARCH REPORT
Information on patent family members

International application No.
PCT/KR2006/002958

Patent document cited in search report	Publication date	Patent family member(s)	Publication date
EP A 1533576		BR A PT0416420	2007-01-16
		AU A1 2004290768	2005-06-02
		CN Y 2752652Y	2006-01-18
		CN A 1621750	2005-06-01
		JP A 200515514Z	2005-06-16
		US A1 2005109048	2005-05-26
WO A 2003/014628		none	
JP A 4174245		JP A 4174245	1992-06-22
US A 2002/029096		none	