



(51) International Patent Classification:  
*H05K 7/20* (2006.01)

(21) International Application Number:  
PCT/US2014/049475

(22) International Filing Date:  
1 August 2014 (01.08.2014)

(25) Filing Language: English

(26) Publication Language: English

(30) Priority Data:  
13/958,387 2 August 2013 (02.08.2013) US  
13/958,382 2 August 2013 (02.08.2013) US

(71) Applicant: **AMAZON TECHNOLOGIES, INC.**  
[US/US]; P.O. Box 8102, Reno, Nevada 89507 (US).

(72) Inventors: **ROSS, Peter George**; 410 Terry Avenue North, Seattle, Washington 98109-5210 (US). **MARR, Michael David**; 410 Terry Avenue North, Seattle, Washington 98109-5210 (US). **FRINK, Darin Lee**; 410 Terry Avenue North, Seattle, Washington 98109-5210 (US). **HAMILTON, James R.**; 410 Terry Avenue North, Seattle, Washington 98109-5210 (US).

(74) Agent: **MEYERTONS, HOOD, KIVLIN, KOWERT & GOETZEL, P.C.**; KOWERT, Robert C., P.O. Box 398, Austin, Texas 78767-0398 (US).

(81) Designated States (unless otherwise indicated, for every kind of national protection available): AE, AG, AL, AM, AO, AT, AU, AZ, BA, BB, BG, BH, BN, BR, BW, BY, BZ, CA, CH, CL, CN, CO, CR, CU, CZ, DE, DK, DM, DO, DZ, EC, EE, EG, ES, FI, GB, GD, GE, GH, GM, GT, HN, HR, HU, ID, IL, IN, IR, IS, JP, KE, KG, KN, KP, KR, KZ, LA, LC, LK, LR, LS, LT, LU, LY, MA, MD, ME, MG, MK, MN, MW, MX, MY, MZ, NA, NG, NI, NO, NZ, OM, PA, PE, PG, PH, PL, PT, QA, RO, RS, RU, RW, SA, SC, SD, SE, SG, SK, SL, SM, ST, SV, SY, TH, TJ, TM, TN, TR, TT, TZ, UA, UG, US, UZ, VC, VN, ZA, ZM, ZW.

(84) Designated States (unless otherwise indicated, for every kind of regional protection available): ARIPO (BW, GH, GM, KE, LR, LS, MW, MZ, NA, RW, SD, SL, SZ, TZ, UG, ZM, ZW), Eurasian (AM, AZ, BY, KG, KZ, RU, TJ, TM), European (AL, AT, BE, BG, CH, CY, CZ, DE, DK, EE, ES, FI, FR, GB, GR, HR, HU, IE, IS, IT, LT, LU, LV, MC, MK, MT, NL, NO, PL, PT, RO, RS, SE, SI, SK, SM, TR), OAPI (BF, BJ, CF, CG, CI, CM, GA, GN, GQ, GW, KM, ML, MR, NE, SN, TD, TG).

[Continued on next page]

(54) Title: SYSTEM FOR COMPUTE NODE MAINTENANCE WITH CONTINUOUS COOLING

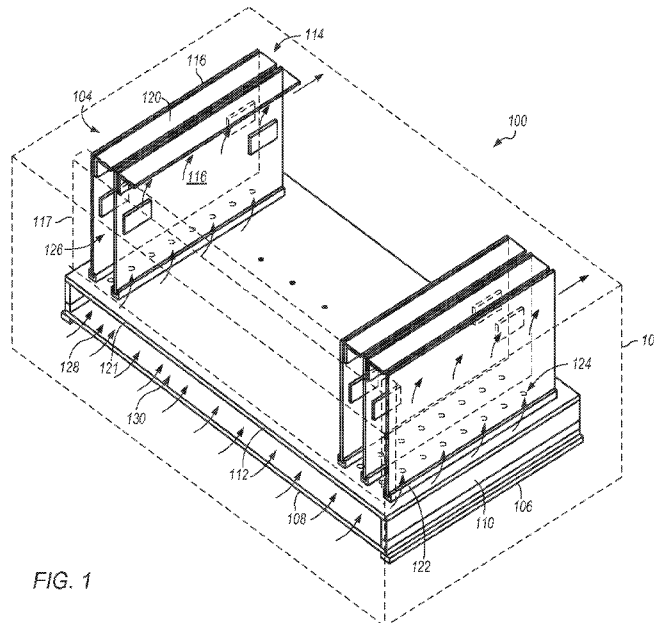
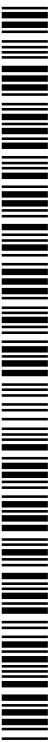


FIG. 1

(57) Abstract: A computing system includes a chassis, one or more backplanes coupled to the chassis. Computing devices are coupled to the one or more backplanes. The one or more backplanes include backplane openings that allow air to pass from one side of the backplane to the other side of the backplane. Air channels are formed by adjacent circuit board assemblies of the computing devices and the one or more backplanes. Channel capping elements at least partially close the air channels.



**Published:**

— *with international search report (Art. 21(3))*

**(88) Date of publication of the international search report:**

29 October 2015

## INTERNATIONAL SEARCH REPORT

International application No. **11/043473.17.11.2014**

PCT/US2014/049475

## A. CLASSIFICATION OF SUBJECT MATTER

IPC(8) - H05K 7/20 (2014.01)

CPC - H05K 7/20718 (2014.10)

According to International Patent Classification (IPC) or to both national classification and IPC

## B. FIELDS SEARCHED

Minimum documentation searched (classification system followed by classification symbols)

IPC(8) - G06F 1/20; H01L 23/34; H05K 7/20 (2014.01)

CPC - G06F 1/20; H05K 7/20563, 7/20572, 7/20718, 7/20727, 7/20736 (2014.10)

Documentation searched other than minimum documentation to the extent that such documents are included in the fields searched

USPC - 211/26; 312/223.2; 361/679.46, 679.48, 679.49, 679.5, 688, 690, 692, 694, 695, 831

Electronic data base consulted during the international search (name of data base and, where practicable, search terms used)

PatBase, Google Patents, Google

## C. DOCUMENTS CONSIDERED TO BE RELEVANT

Category*	Citation of document, with indication, where appropriate, of the relevant passages	Relevant to claim No.
X	US 8,064,200 B1 (WEST et al) 22 November 2011 (22.11.2011) entire document	9, 10
Y		1-3, 5
Y	US 7,256,992 B1 (STEWART et al) 14 August 2007 (14.08.2007) entire document	1-3, 5
A	US 2012/0243170 A1 (FRINK et al) 27 September 2012 (27.09.2012) entire document	1-15
A	US 2012/0069514 A1 (ROSS) 22 March 2012 (22.03.2012) entire document	1-15
A	US 2013/0094138 A1 (MEZA et al) 18 April 2013 (18.04.2013) entire document	1-15

 Further documents are listed in the continuation of Box C.

## \* Special categories of cited documents:

"A" document defining the general state of the art which is not considered to be of particular relevance

"E" earlier application or patent but published on or after the international filing date

"L" document which may throw doubts on priority claim(s) or which is cited to establish the publication date of another citation or other special reason (as specified)

"O" document referring to an oral disclosure, use, exhibition or other means

"P" document published prior to the international filing date but later than the priority date claimed

"T" later document published after the international filing date or priority date and not in conflict with the application but cited to understand the principle or theory underlying the invention

"X" document of particular relevance; the claimed invention cannot be considered novel or cannot be considered to involve an inventive step when the document is taken alone

"Y" document of particular relevance; the claimed invention cannot be considered to involve an inventive step when the document is combined with one or more other such documents, such combination being obvious to a person skilled in the art

"&amp;" document member of the same patent family

Date of the actual completion of the international search

17 October 2014

Date of mailing of the international search report

17 NOV 2014

Name and mailing address of the ISA/US

Mail Stop PCT, Attn: ISA/US, Commissioner for Patents  
P.O. Box 1450, Alexandria, Virginia 22313-1450

Facsimile No. 571-273-3201

Authorized officer:

Blaine R. Copenheaver

PCT Helpdesk: 571-272-4300  
PCT OSP: 571-272-7774