



US00D832409S

(12) **United States Design Patent**
Sugatani et al.

(10) **Patent No.:** **US D832,409 S**

(45) **Date of Patent:** **** Oct. 30, 2018**

(54) **PIPE ADAPTER FOR WATER HEATER**

21/02; F16L 21/06; F16L 9/18; F16L 9/20; F16L 39/005; F16L 43/00; F16L

(Continued)

(71) Applicants: **NORITZ CORPORATION**, Hyogo (JP); **Living Engineering Co., Ltd.**, Tokyo (JP); **Mirai Industry Co., Ltd.**, Gifu (JP)

(56) **References Cited**

U.S. PATENT DOCUMENTS

D31,451 S 8/1899 Norris
3,326,560 A 6/1967 Trbovich
(Continued)

OTHER PUBLICATIONS

An Office Action issued by the United States Patent and Trademark Office dated Dec. 27, 2017, which corresponds to U.S. Appl. No. 29/578,875 and is related to U.S. Appl. No. 29/578,873.

Primary Examiner — Eric L Goodman
Assistant Examiner — Amy C Wierenga

(74) *Attorney, Agent, or Firm* — Studebaker & Brackett PC

(72) Inventors: **Masaki Sugatani**, Akashi (JP); **Takanori Nagano**, Kakogawa (JP); **Hironao Matsunaga**, Amagasaki (JP); **Takahide Hasegawa**, Kakogawa (JP); **Kiyomi Kanamoto**, Tokyo (JP); **Yasuhide Satoh**, Tokyo (JP); **Shohei Matsuda**, Ogaki (JP)

(73) Assignees: **NORITZ CORPORATION**, Hyogo (JP); **Tokyo Gas Living Engineering Co., Ltd.**, Tokyo (JP); **Mirai Industry Co., Ltd.**, Gifu (JP)

(**) Term: **15 Years**

(21) Appl. No.: **29/578,873**

(22) Filed: **Sep. 26, 2016**

(51) **LOC (11) Cl.** **23-01**

(52) **U.S. Cl.**
USPC **D23/263**

(58) **Field of Classification Search**
USPC D23/259, 262–266, 233–237, 258, 268, D23/386, 261, 387, 393; D13/133; 285/31, 24, 27, 121.1, 123.3, 148.22, 347, 285/199, 179, 179.1, 180–182, 132.2, 285/132.15, 124.2, 135.4, 16, 55, 119, 285/176, 127, 369, 372, 373, 417; 137/12, 47, 220, 804; 138/37, 103, 109, 138/113, 120, 140, 155, 111–112, 114; D8/349, 382, 394–397, 359, 363; 165/154–155, 164, 181; 4/679; D32/31–33
CPC . F16L 33/23; F16L 33/28; F16L 33/00; F16L 33/01; F16L 41/00; F16L 41/06; F16L 55/18; F16L 17/00; F16L 23/00; F16L

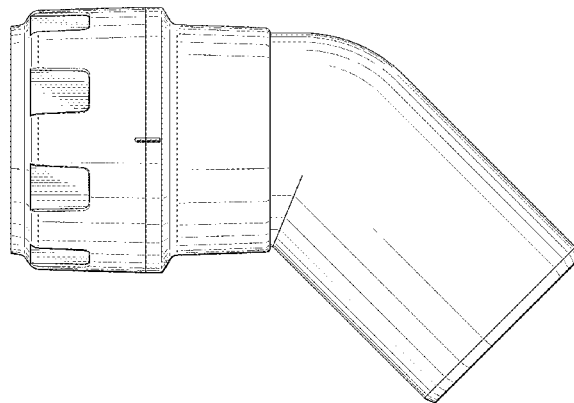
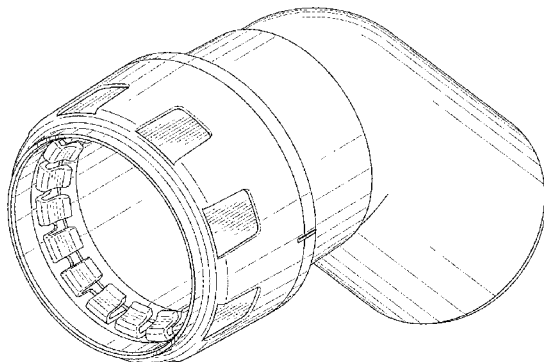
(57) **CLAIM**

The ornamental design for a pipe adapter for water heater, as shown and described.

DESCRIPTION

FIG. 1 is a perspective view of a pipe adapter for water heater showing the present design; FIG. 2 is a front view thereof; FIG. 3 is a rear view thereof; FIG. 4 is a top view thereof; FIG. 5 is a bottom view thereof; FIG. 6 is a right side view thereof; FIG. 7 is a left side view thereof; FIG. 8 is a cross sectional view taken along line 8-8 of FIG. 7 thereof; and, FIG. 9 is a front view shown in a state of use.

(Continued)



The evenly spaced broken lines shown in FIGS. 8 and 9 depict environmental subject matter that forms no part of the claim.

1 Claim, 5 Drawing Sheets

(58) **Field of Classification Search**

CPC ... 2101/30; F16L 21/005; F16L 37/144; F16L 37/08; F16L 37/0845; F16L 37/0841; F16L 37/02; E03C 1/26; E03C 1/28; E03C 1/262; E03C 1/20; E03C 1/122; E03C 1/232; F16J 15/22; F16J 1/005; F28D 7/103; F28D 7/106; F28F 1/24; F28F 1/32; B29C 33/123

See application file for complete search history.

(56) **References Cited**

U.S. PATENT DOCUMENTS

3,892,418 A 7/1975 Felt
 4,340,089 A * 7/1982 Freiherr von Arnim
 F01N 13/1816
 138/121
 D297,158 S * 8/1988 Marton D23/387
 D299,772 S * 2/1989 Smith D32/31
 D300,574 S * 4/1989 Smith D32/31
 4,870,988 A * 10/1989 Hood, Jr. D06F 39/083
 137/343
 D348,097 S * 6/1994 Inda D23/263
 D354,801 S * 1/1995 Grant D23/263

D356,456 S 3/1995 Henry
 D368,516 S 4/1996 Matsumura
 5,590,477 A * 1/1997 Carfagno, Sr. D06F 58/20
 285/424
 D417,534 S * 12/1999 Holston D32/31
 6,161,841 A 12/2000 Shaw
 6,345,844 B1 * 2/2002 Miyajima F16L 37/02
 285/231
 6,499,771 B1 * 12/2002 Snyder, Sr. F16L 37/0915
 285/319
 7,416,227 B1 * 8/2008 Earnest F16L 55/1608
 138/162
 7,584,934 B1 9/2009 Eichinger
 D614,271 S 4/2010 Weston
 7,699,356 B2 * 4/2010 Bucher F16L 37/088
 285/244
 D659,922 S * 5/2012 Krohmer D32/31
 D676,940 S * 2/2013 Kluss D23/262
 D676,941 S * 2/2013 Kluss D23/262
 8,474,878 B2 7/2013 Richter
 D700,415 S 2/2014 Baker
 D705,402 S * 5/2014 Yu D23/262
 D746,958 S * 1/2016 Gledhill D23/262
 D764,030 S 8/2016 Darling et al.
 9,587,744 B2 3/2017 Yoshida et al.
 D802,102 S * 11/2017 Mursu D23/259
 2004/0183301 A1 * 9/2004 Yoshida B29C 65/08
 285/305
 2007/0228727 A1 * 10/2007 Matsuno F16L 37/0985
 285/305
 2012/0285559 A1 11/2012 Harper et al.
 2015/0330510 A1 11/2015 Doyle et al.
 2016/0060873 A1 * 3/2016 Sugatani E04D 13/178
 29/401.1

* cited by examiner

FIG.1

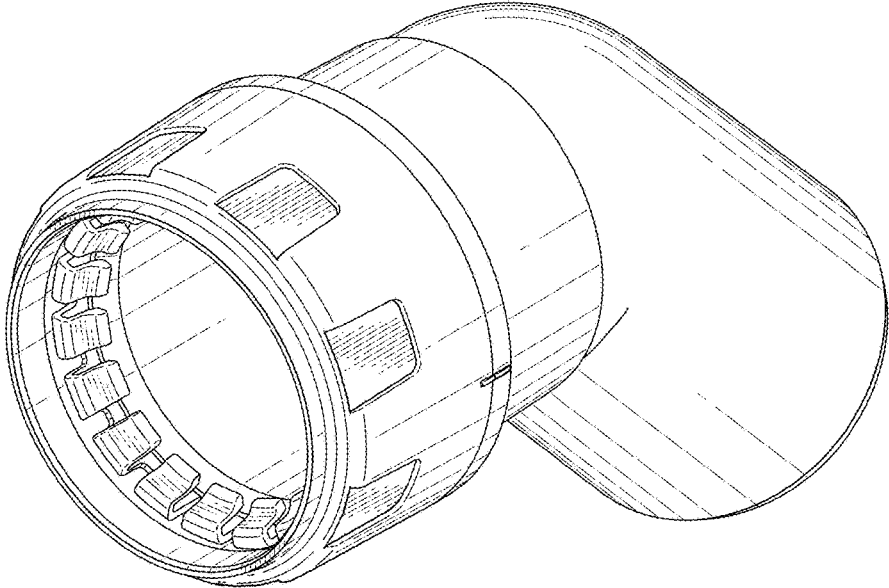


FIG.2

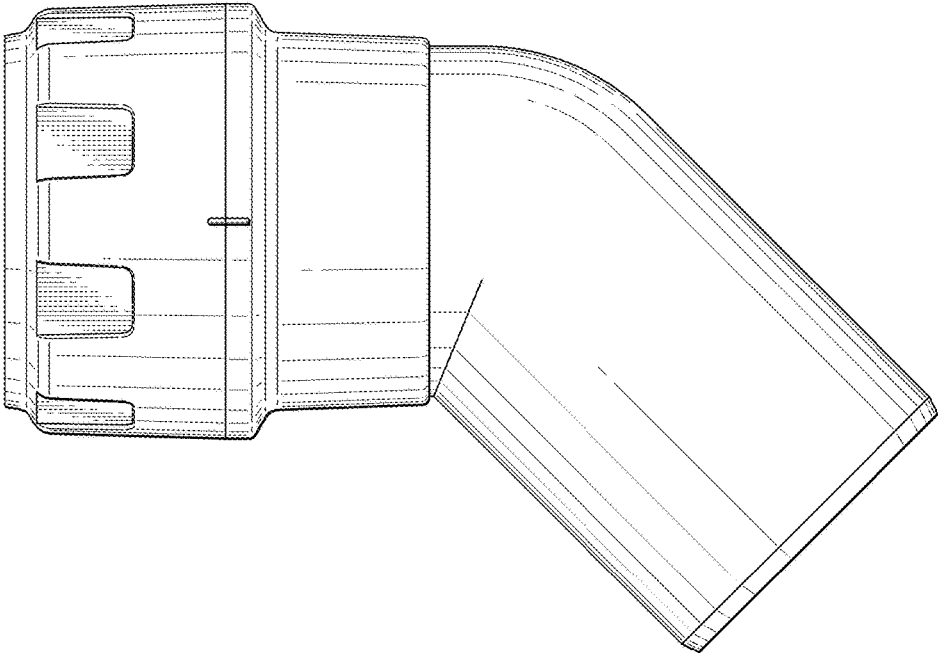


FIG.3

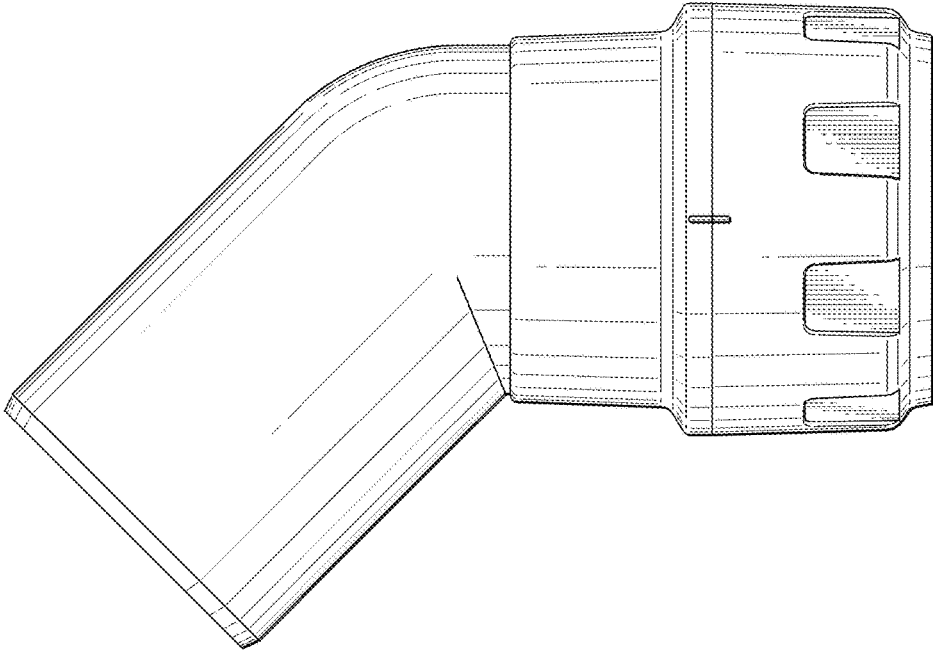


FIG.4

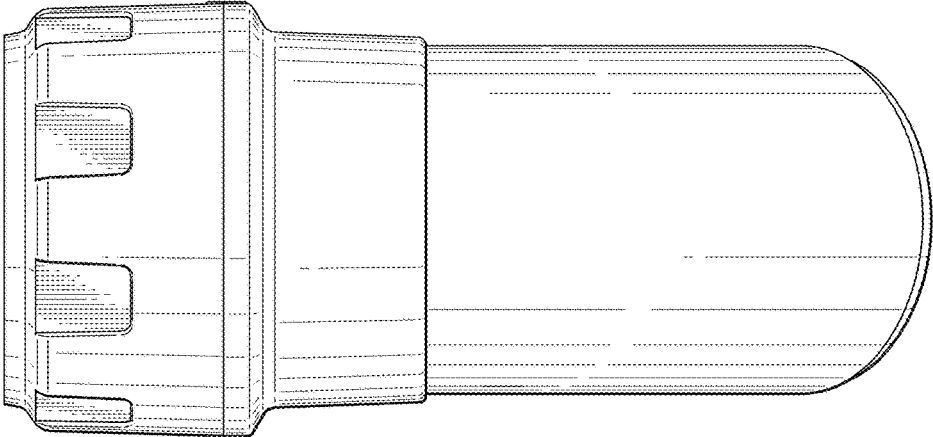


FIG.5

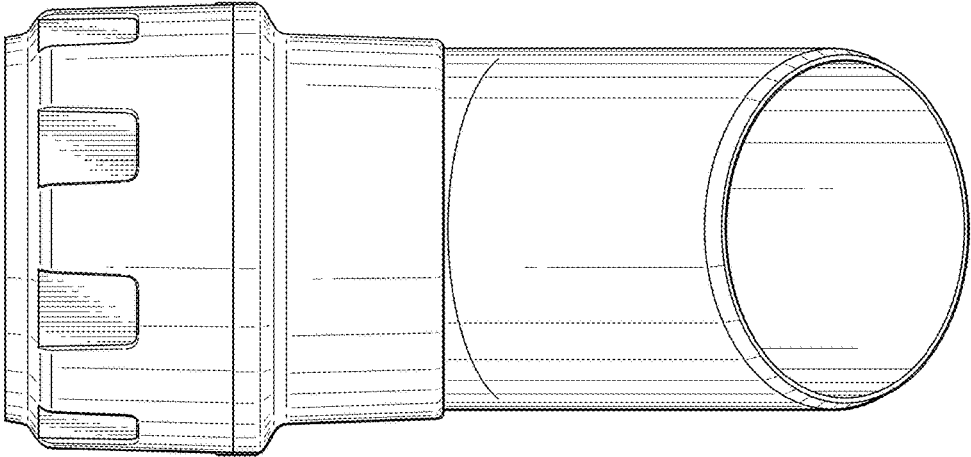


FIG.6

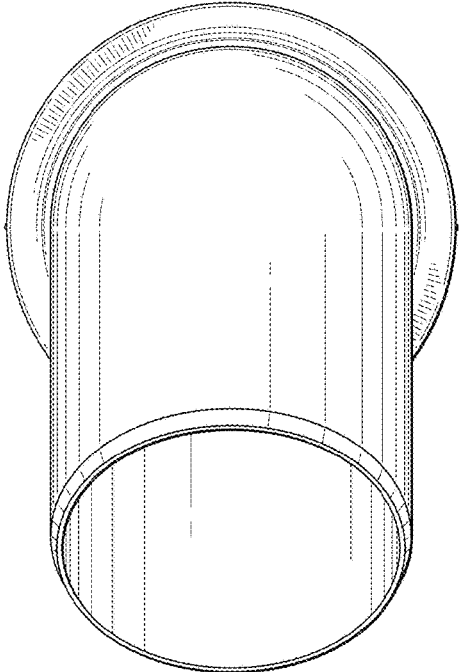


FIG.7

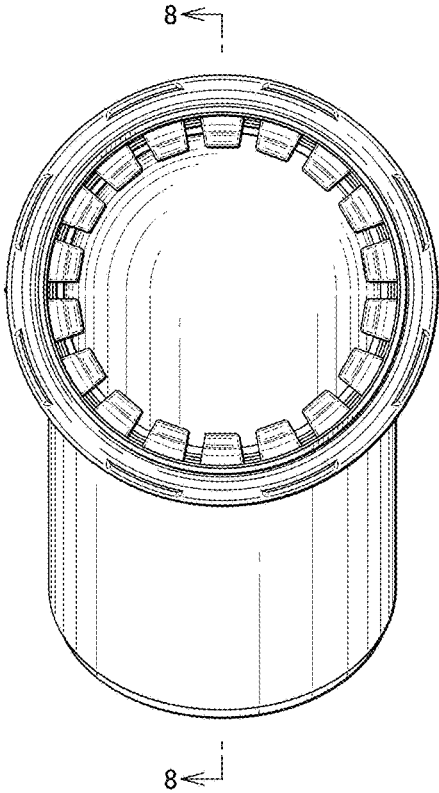


FIG.8

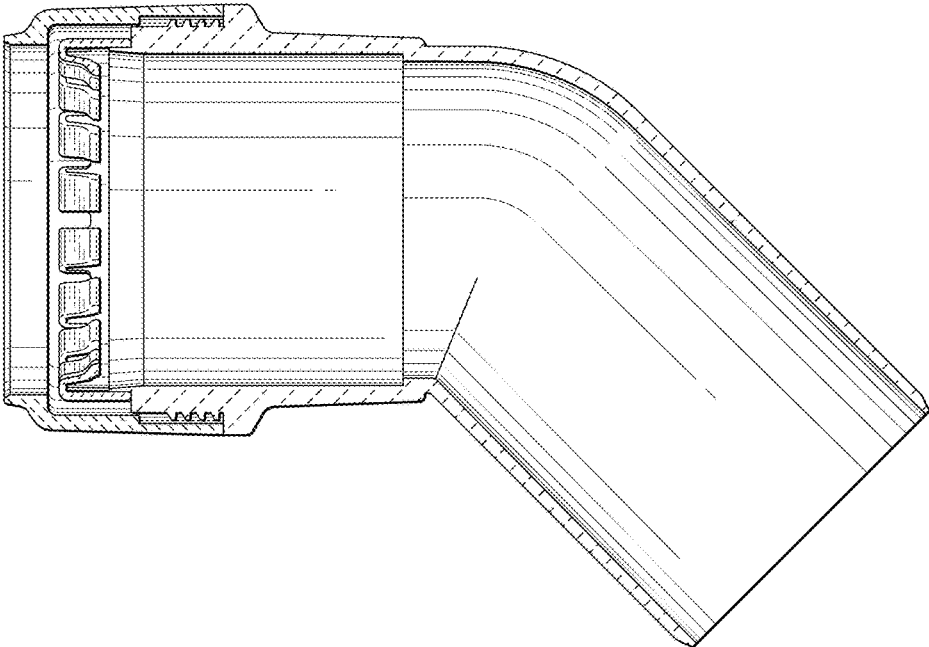


FIG.9

